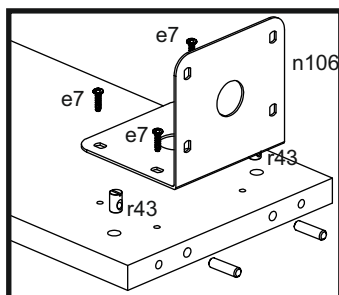
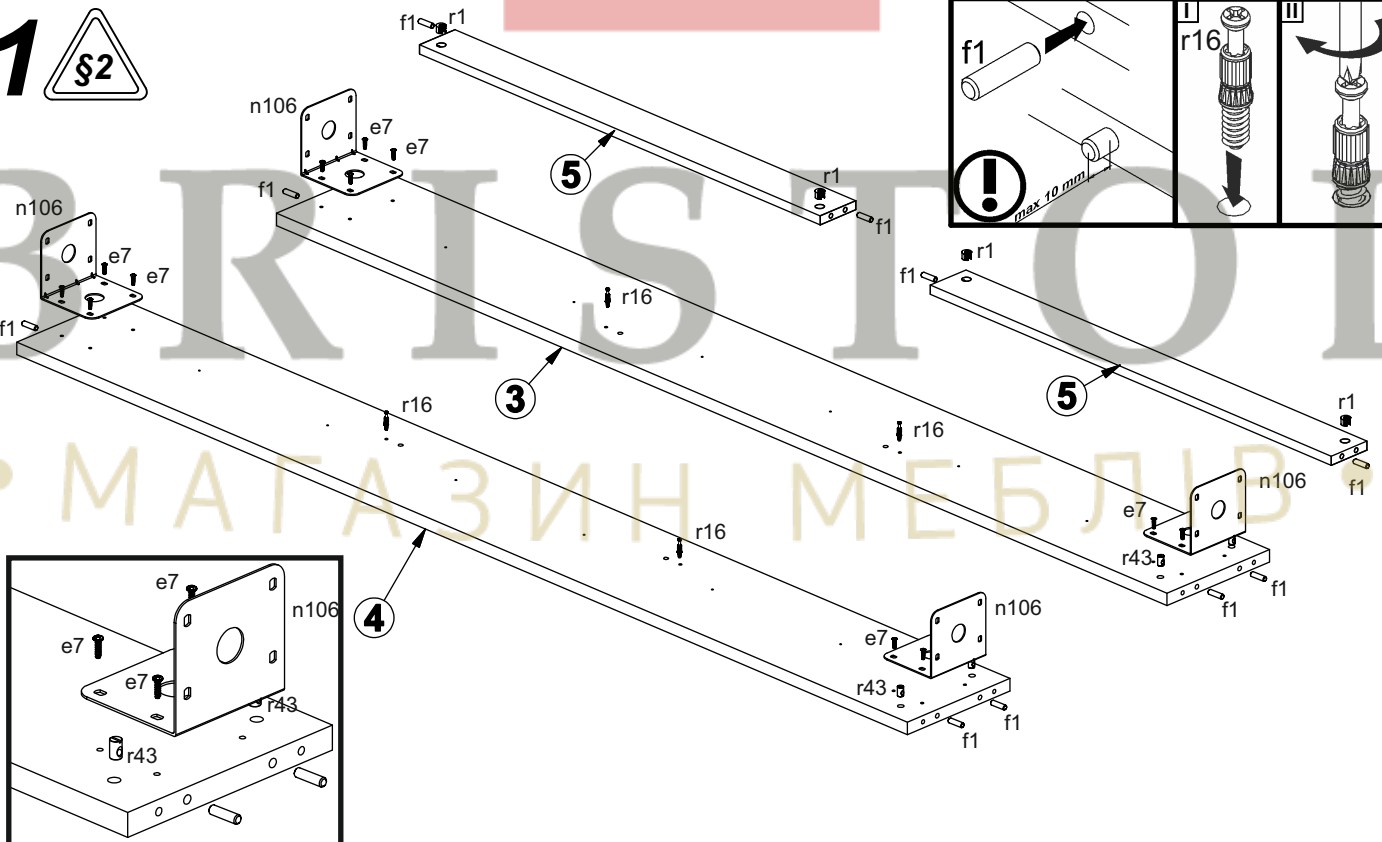
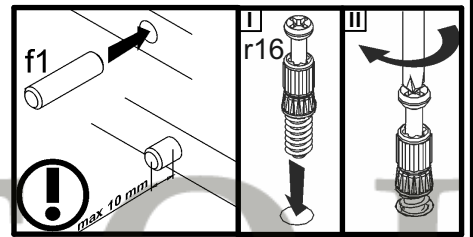
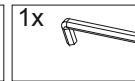
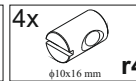
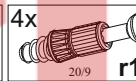
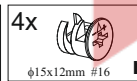
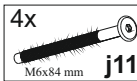
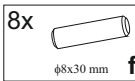
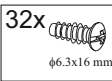
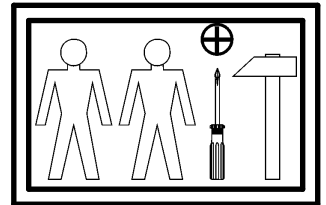
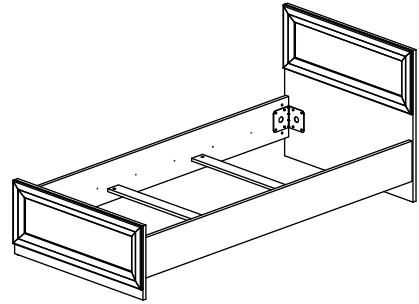
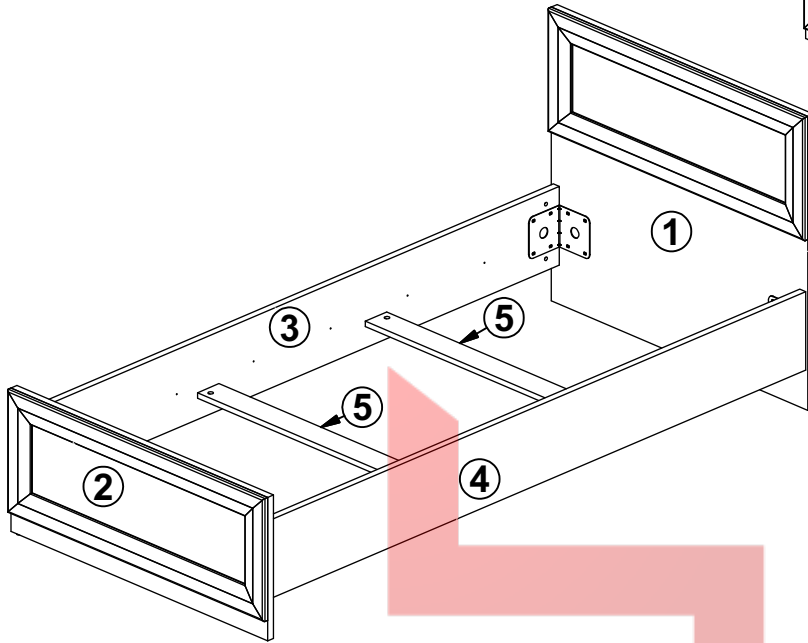
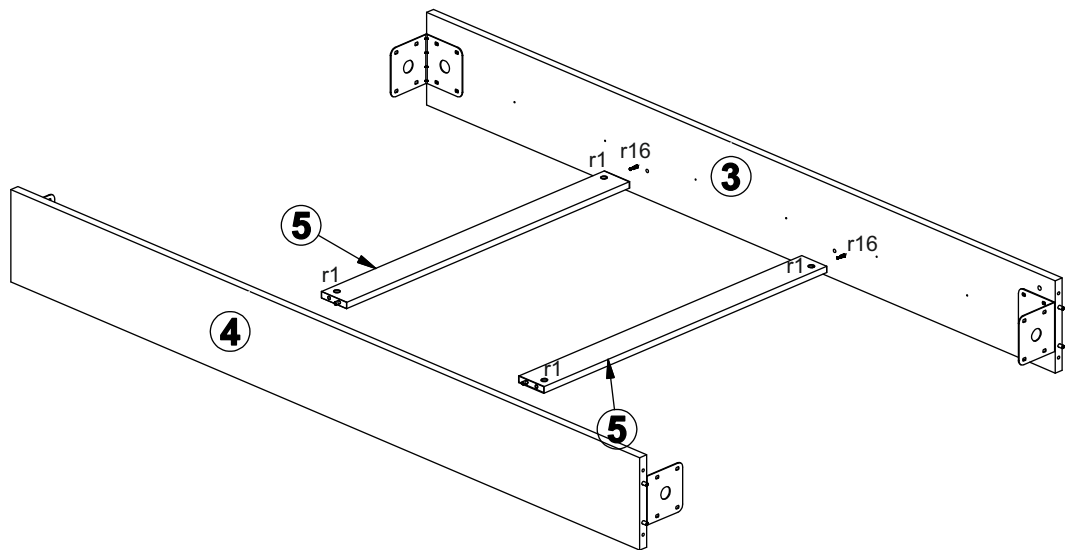
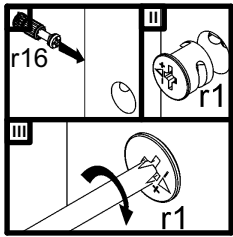


B136-LOZ90

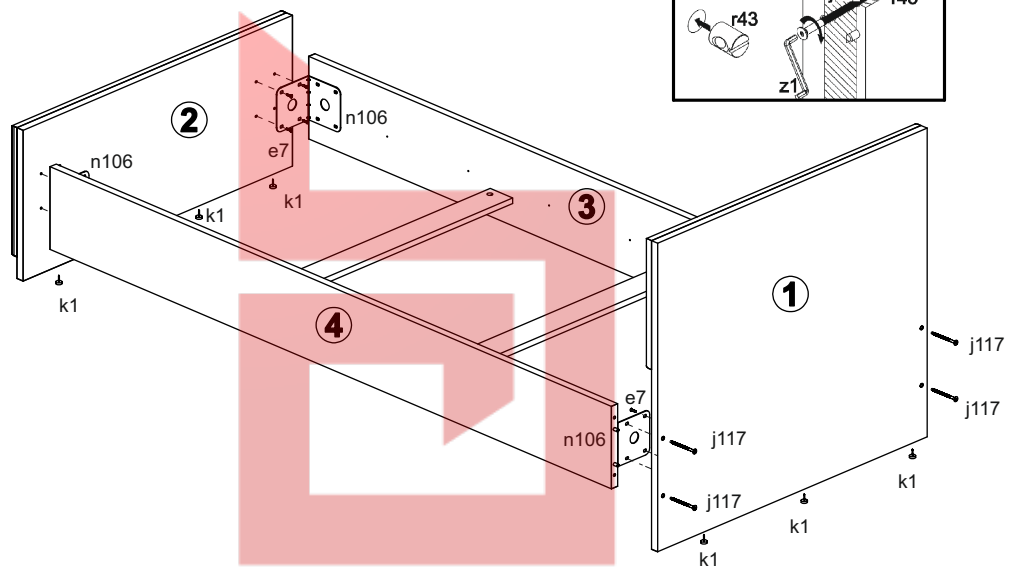
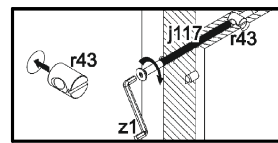
A	B	C	D	
1	B136-043	960	860	1/3
2	B136-044	960	420	1/3
3	B136-1148	2000	230	2/3
4	B136-1149	2000	230	2/3
5	B136-469	900	80	1/3



2 §6



3



4

§14

