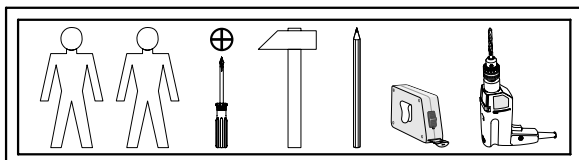
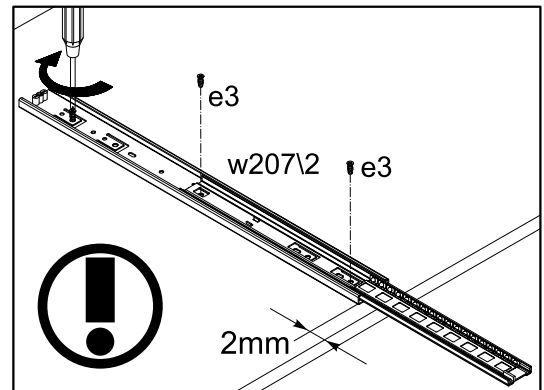
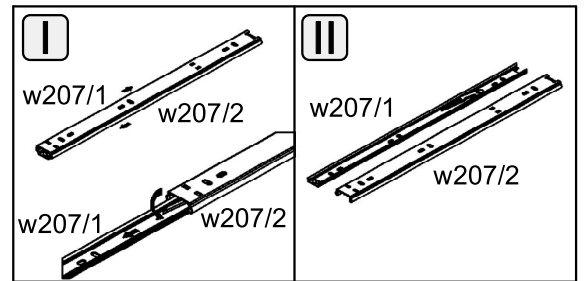
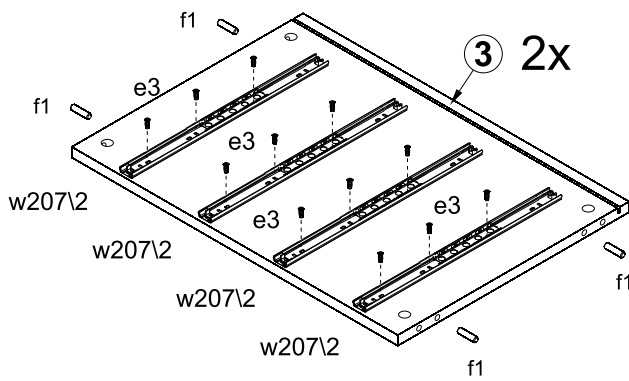
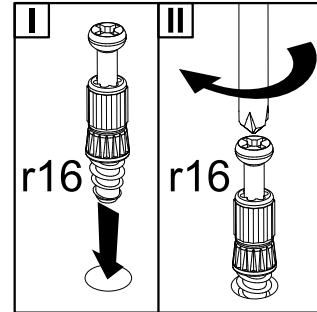
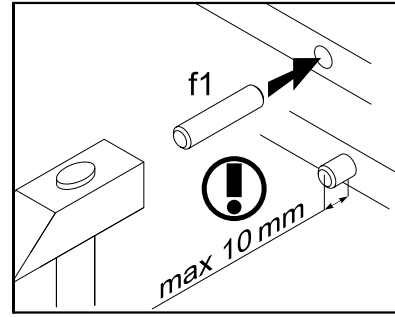
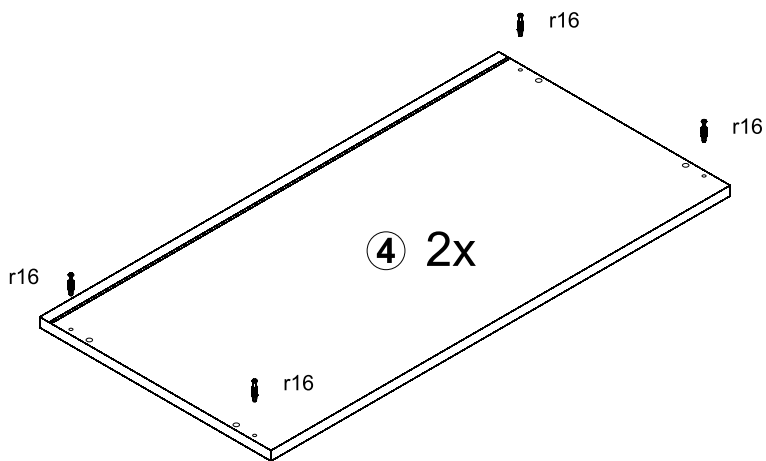


A	B	C	D	
1	MD1-7001	898	401	2/3
2	MD1-001	892	184	3/3
3	MD1-101	719	403	1/3
4	MD1-201	900	403	1/3
5	MD1-551	350	140	3/3
6	MD1-552	350	140	3/3
7	MD1-553	808	140	3/3
8	MD1-901	349	823	3/3
9	MD1-902	366	880	1/3
10	LH-865	865	14	1/3



4x  <b>c253<sup>3</sup></b>	24x  φ6x13 mm <b>e3</b>	16x  φ5x50 mm <b>e32</b>	8x  φ8x30 mm <b>f1</b>	4x  φ20x3,5mm <b>k1001</b>	10x  <b>l2</b>	1x  <b>n26\1</b>
8x  φ4x30 mm <b>p9</b>	8x  φ3,5x16 mm <b>p25</b>	1x  φ3,5x16 mm <b>p38</b>	4x  φ3,5x16mm <b>p38-CA</b>	24x  φ3,5x12 mm <b>p140</b>	24x  φ15x12 mm #16 <b>r1</b>	24x  20/9 <b>r16</b>
18x  φ16 <b>s2</b>	4x  333 mm <b>t19</b>	8x  350 mm <b>w207\1</b>	8x  350 mm <b>w207\2</b>	1x  		

# 1



# 2

