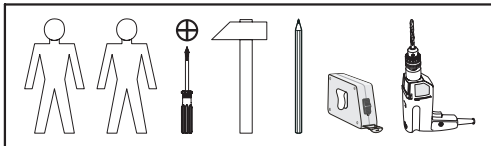
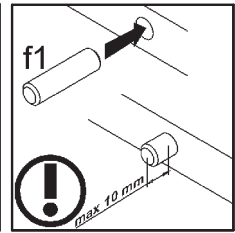
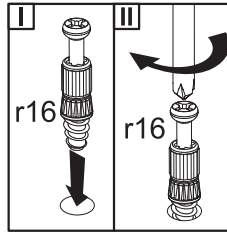
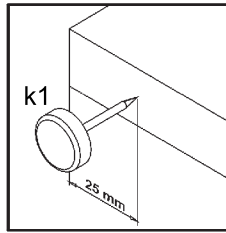
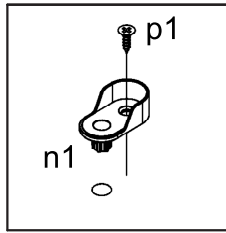
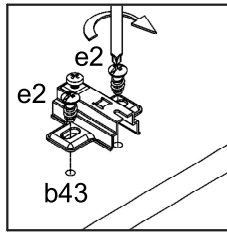
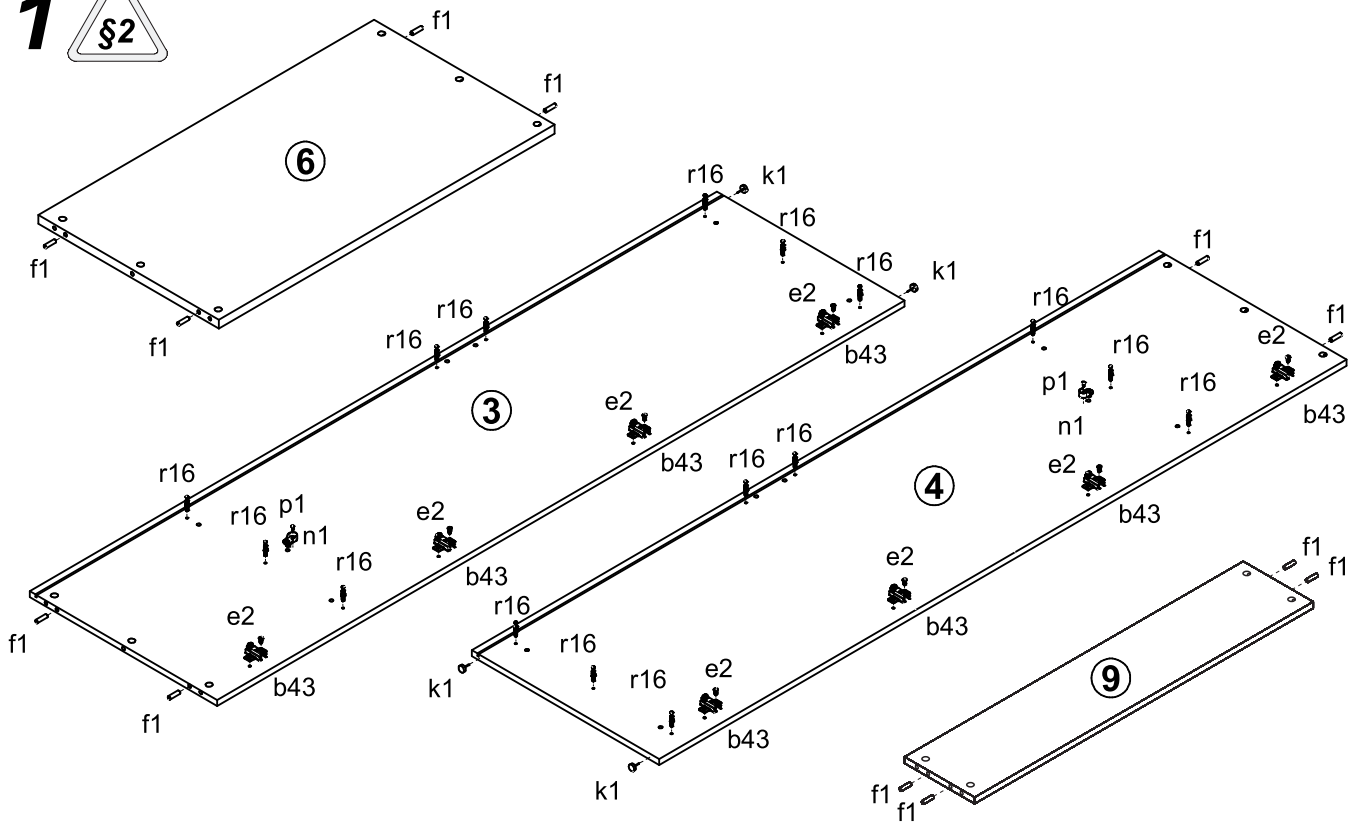


A	B	C		D
1	S405-001	1919	496	3/3
2	S405-002	1919	496	3/3
3	S405-101	2050	540	2/3
4	S405-117	2050	540	2/3
5	S405-207	1029	590	1/3
6	S405-309	967	520	1/3
7	S405-411	1001	80	1/3
8	S405-556	1001	44	1/3
9	S405-410	967	200	1/3
10	S405-903	1983	490	2/3
11	S405-902	1983	490	2/3
12	DR-962	962		1/3
13	LH-1961	1961	14	2/3

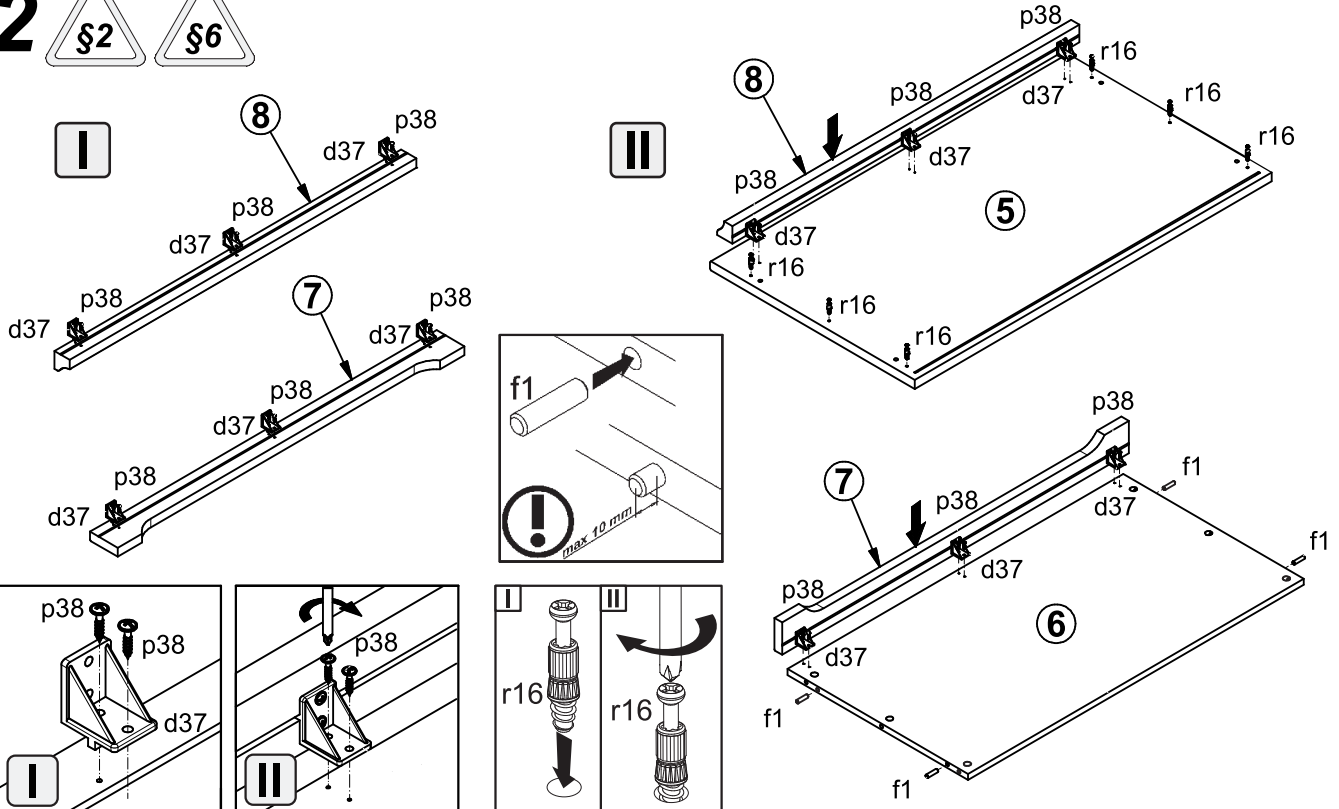


4x  a133	8x  a158	8x  b43	2x  c477/1	2x  c477/2	7x  d37	16x  e2
16x  f1	2x  j11	4x  k1	20x  l1	16x  l2	2x  n1	1x  n26/1
2x  p1	35x  p38	16x  p51	22x  r1	22x  r16	18x  s2	

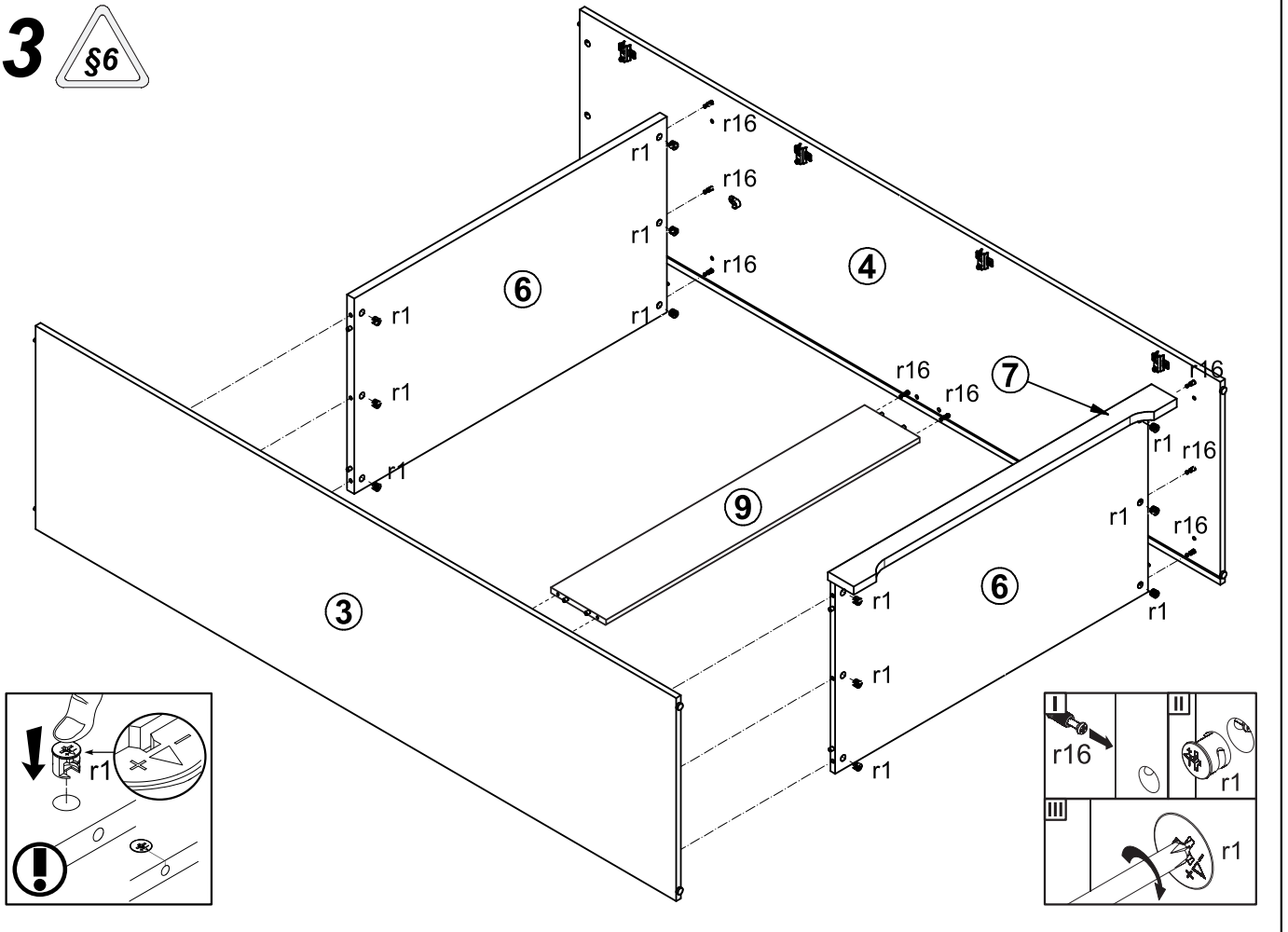
# 1



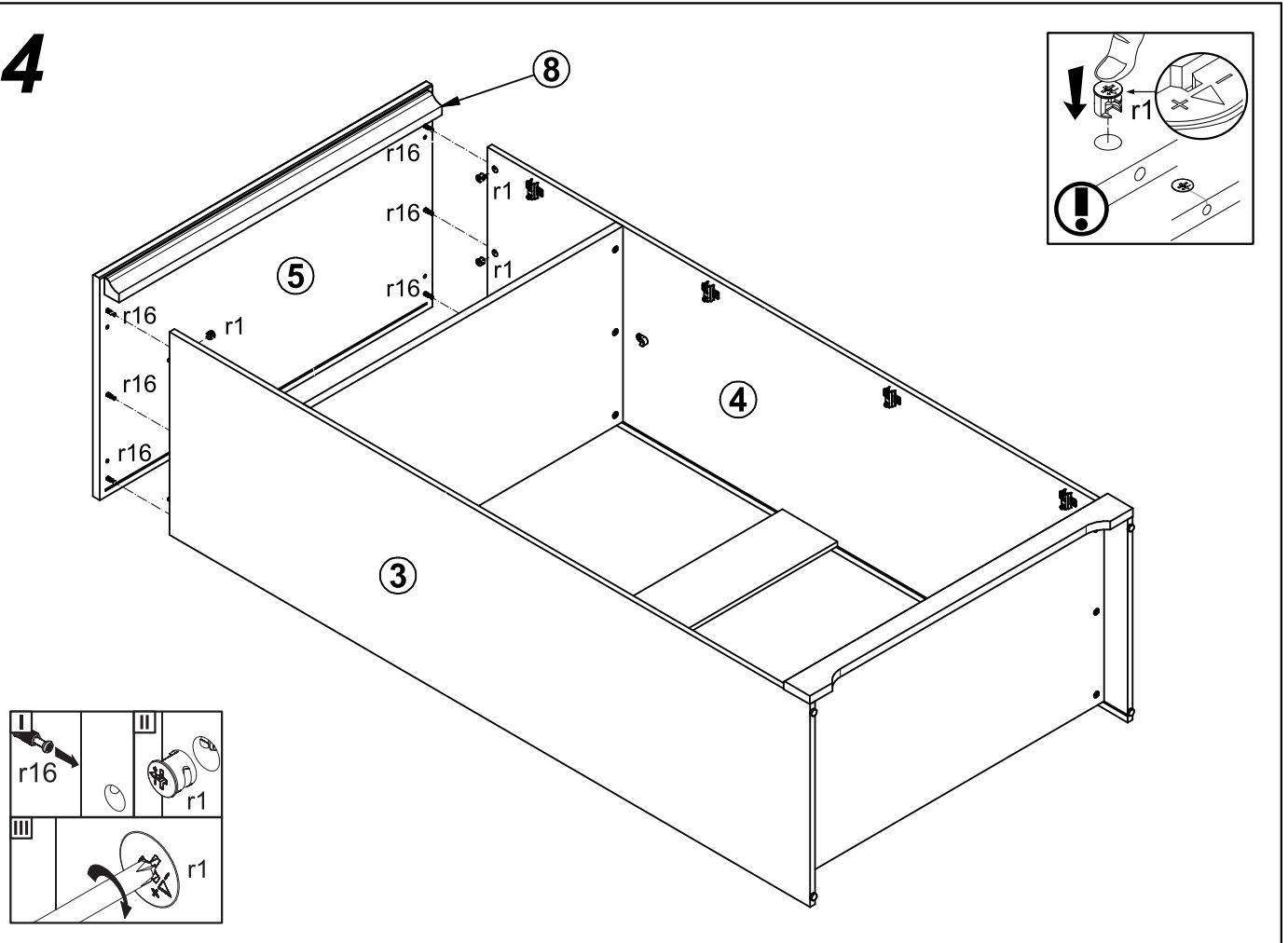
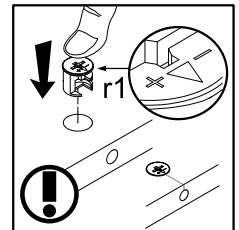
# 2



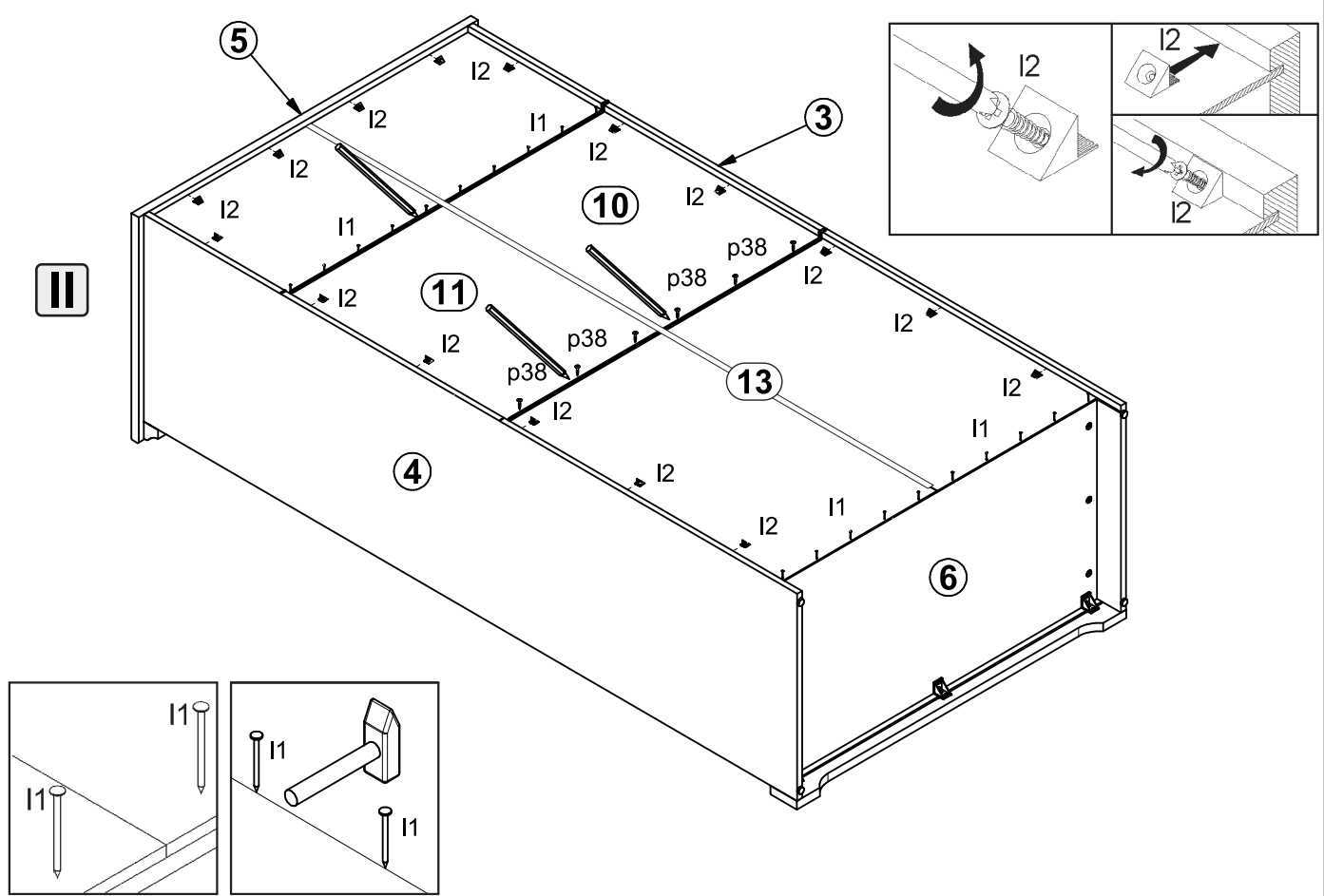
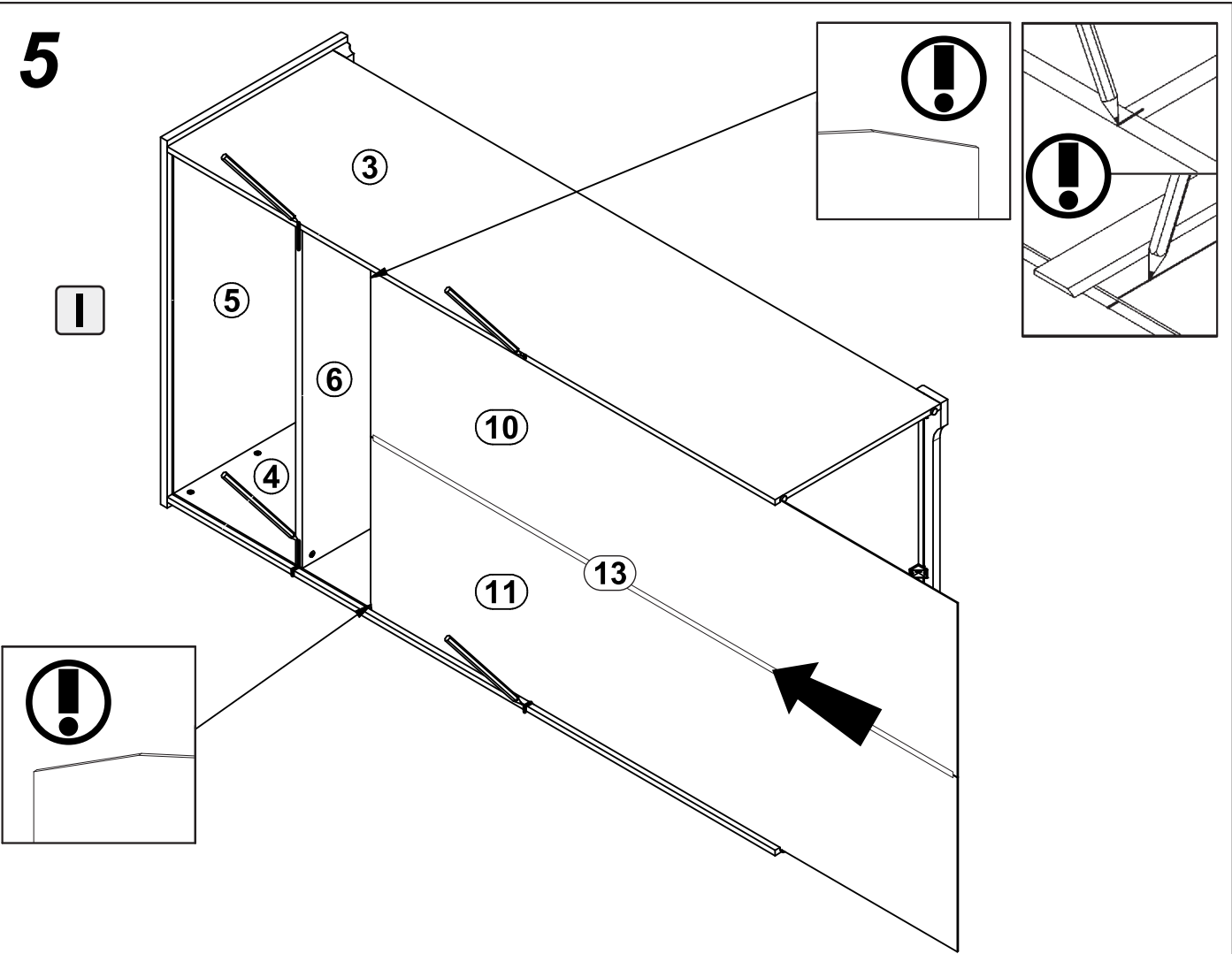
# 3



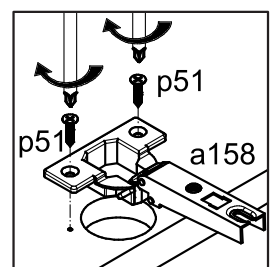
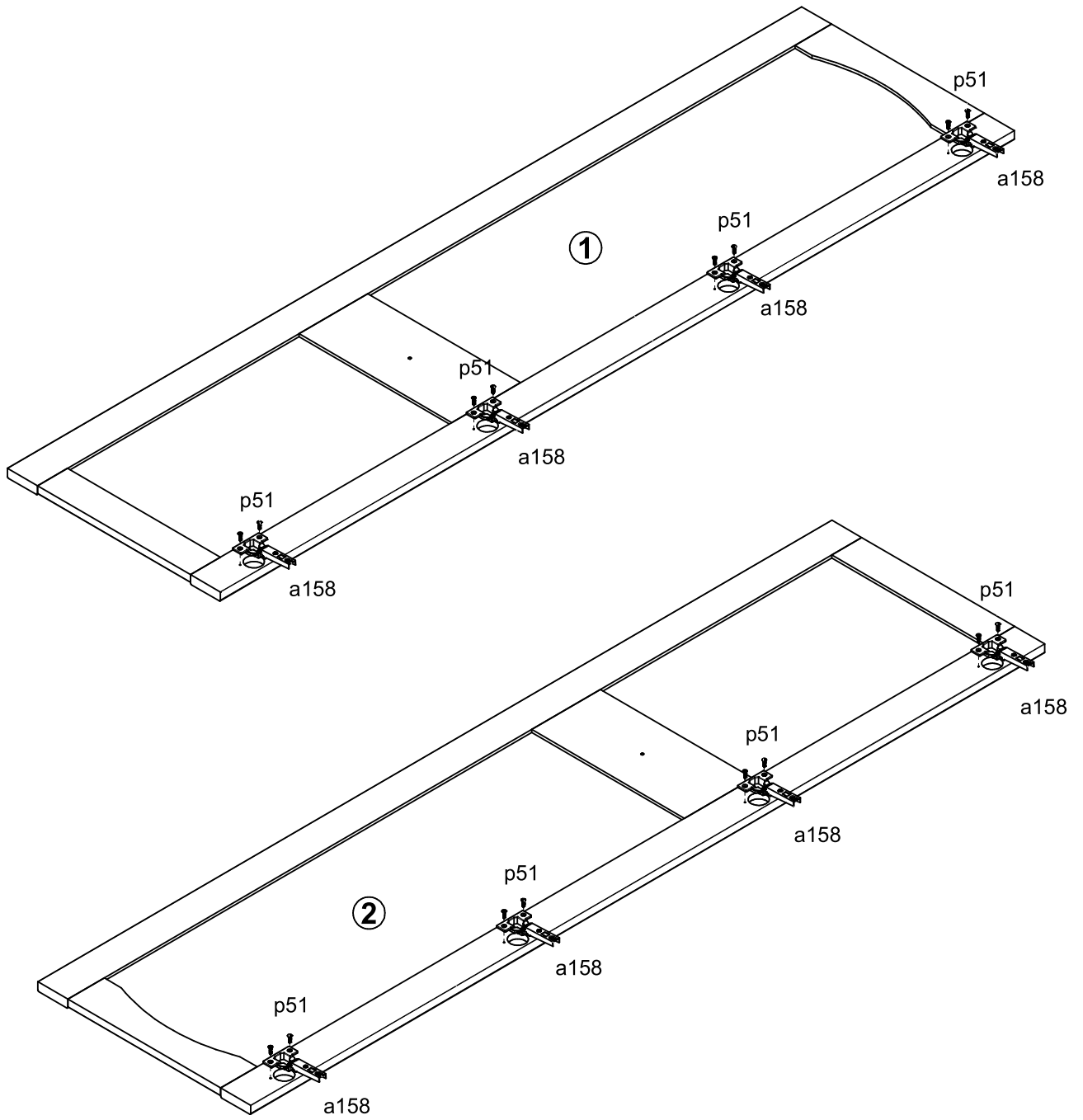
# 4



# 5



# 6



# 7

