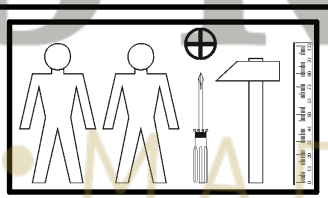
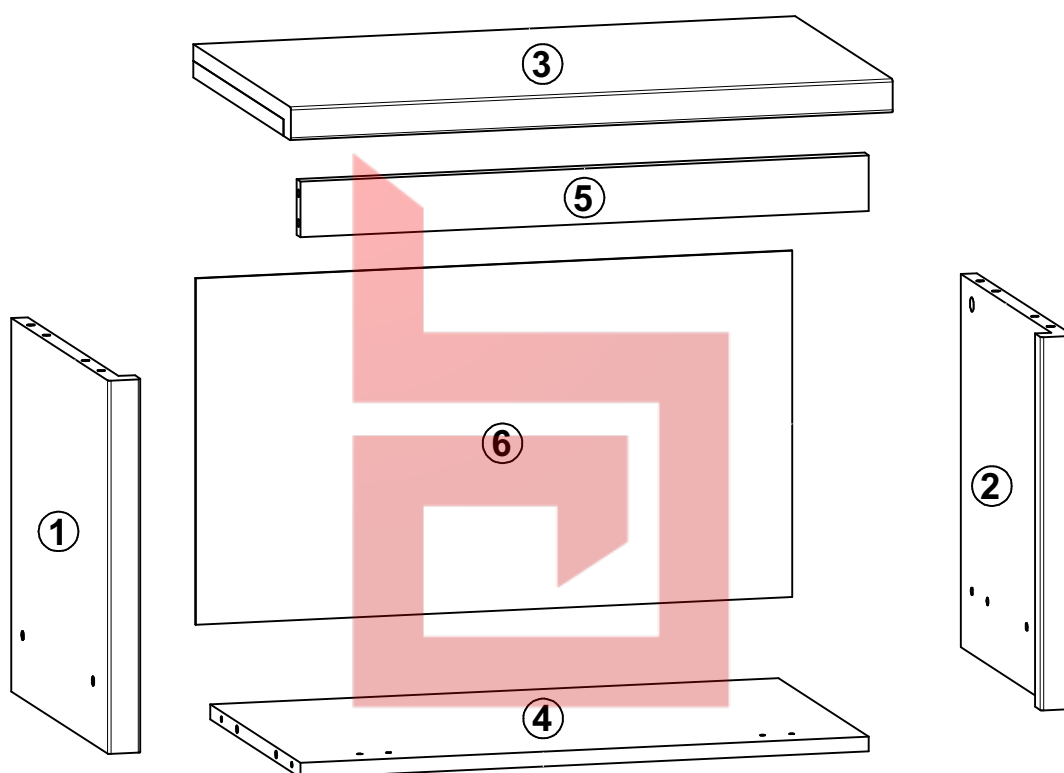
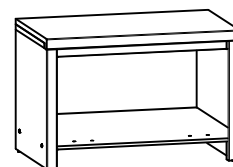


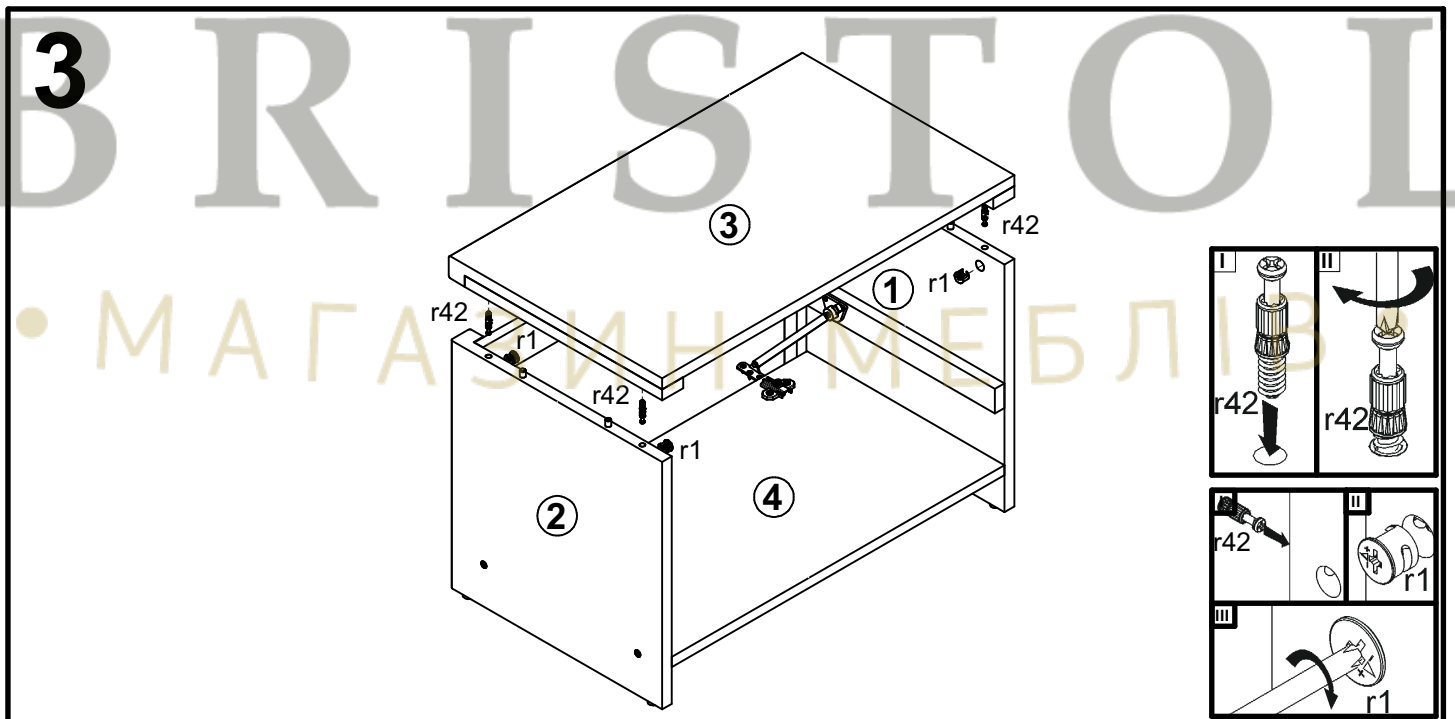
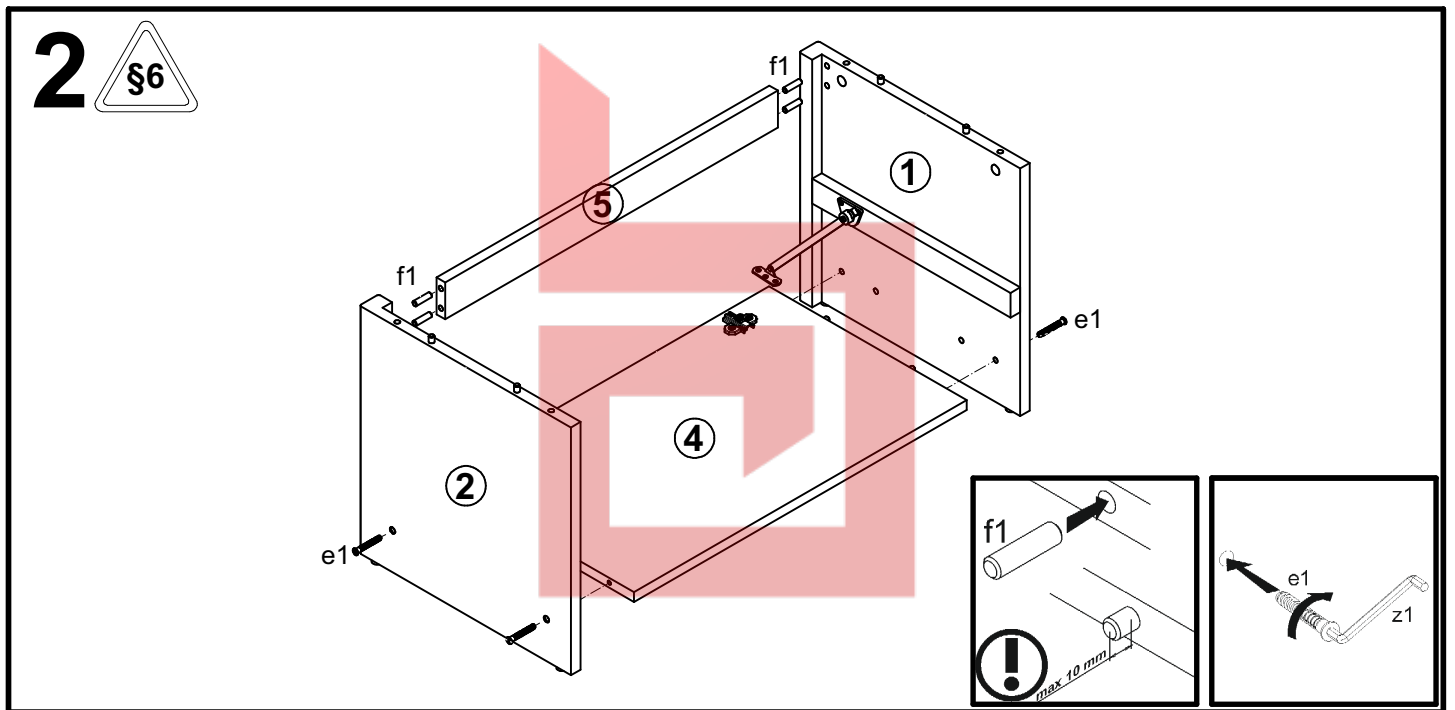
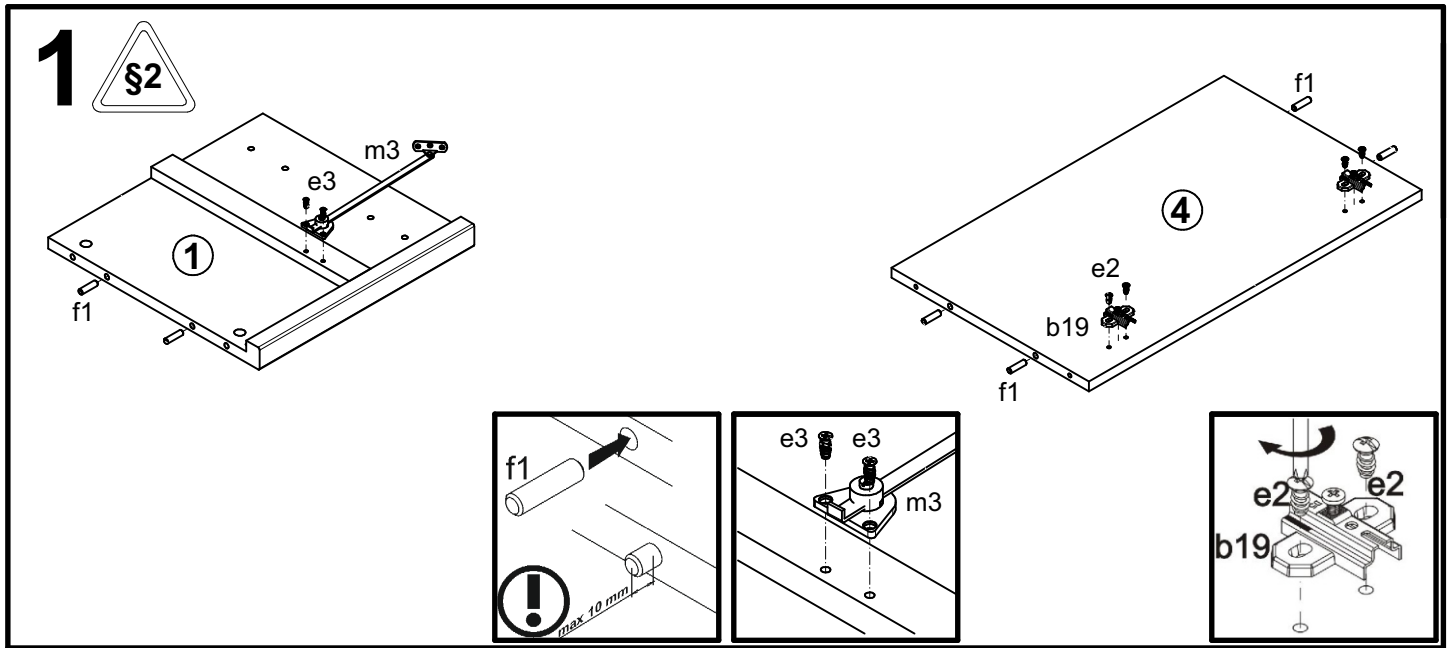
KRISTINA

SBUT/60

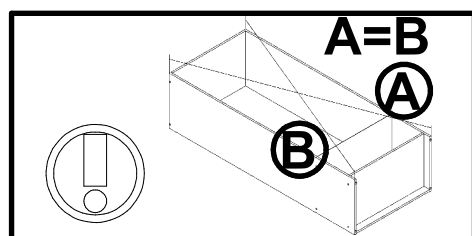
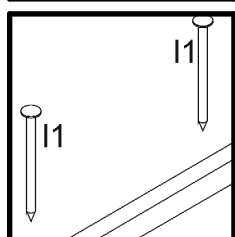
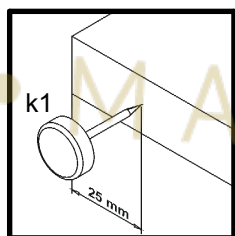
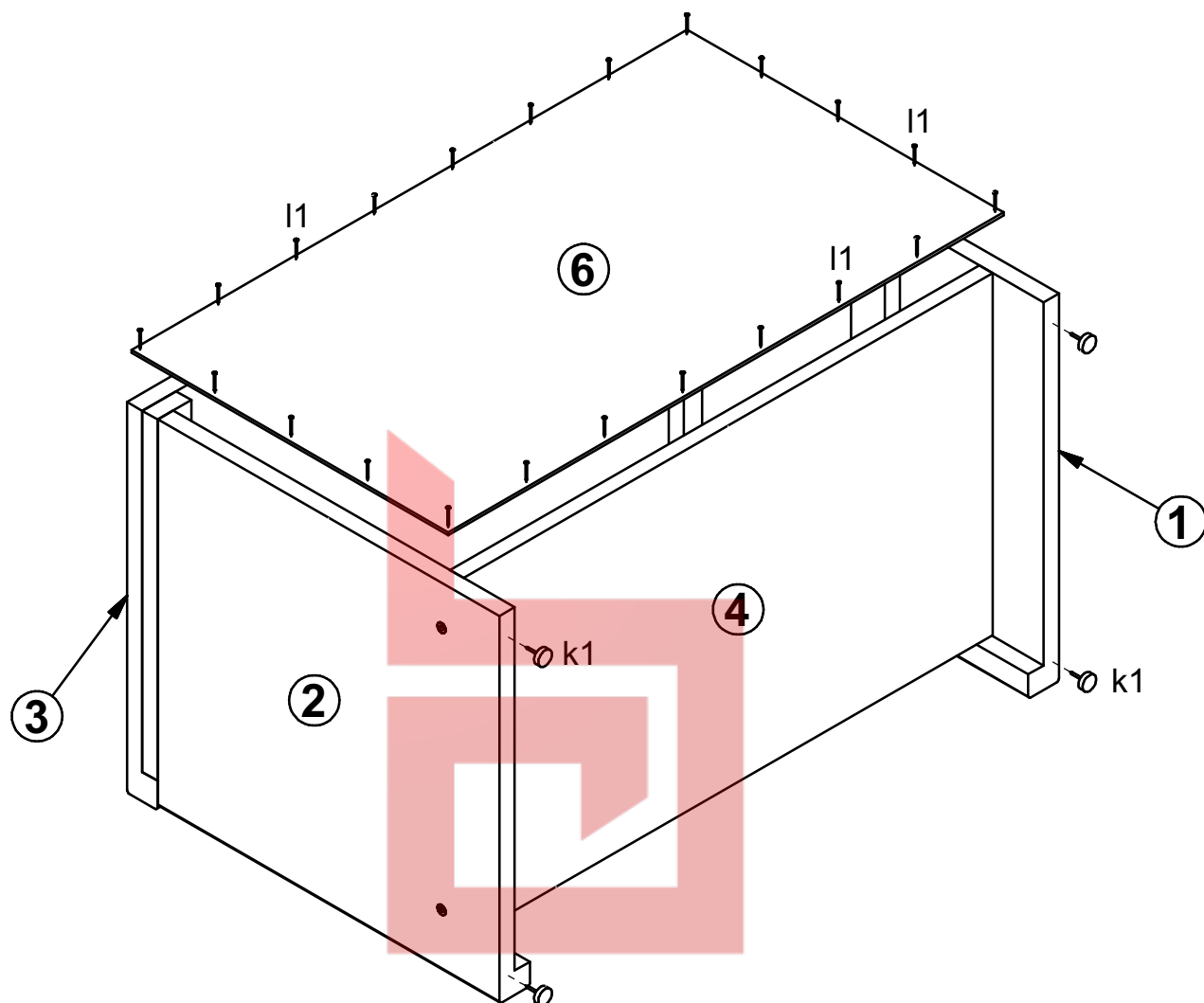
A	B	C	D
1	S128-143	402	396
2	S128-144	402	396
3	S128-214	660	399
4	S128-325	623	370
5	S128-418	623	60
6	S128-924	373	654

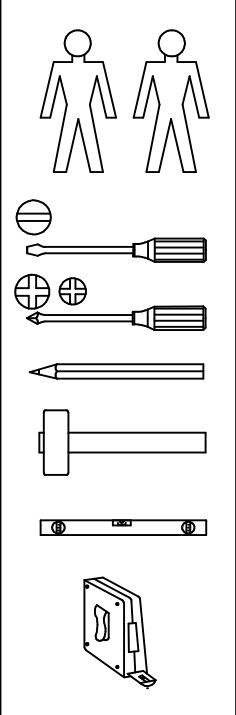


2x a44	2x b19	4x φ7x50 mm e1	4x φ6,3x13 mm e2	2x φ6x13 mm e3	12x φ8x30 mm f1	4x k1	20x l1	1x L=236 m3
3x φ3,5x13 mm p1	4x φ3,5x15 mm p51	4x φ15x12mm #16 r1	4x r42	1x z1	4x s1			



4





A	B	C (mm)		D
1	S264-0025	314	582	2/2

