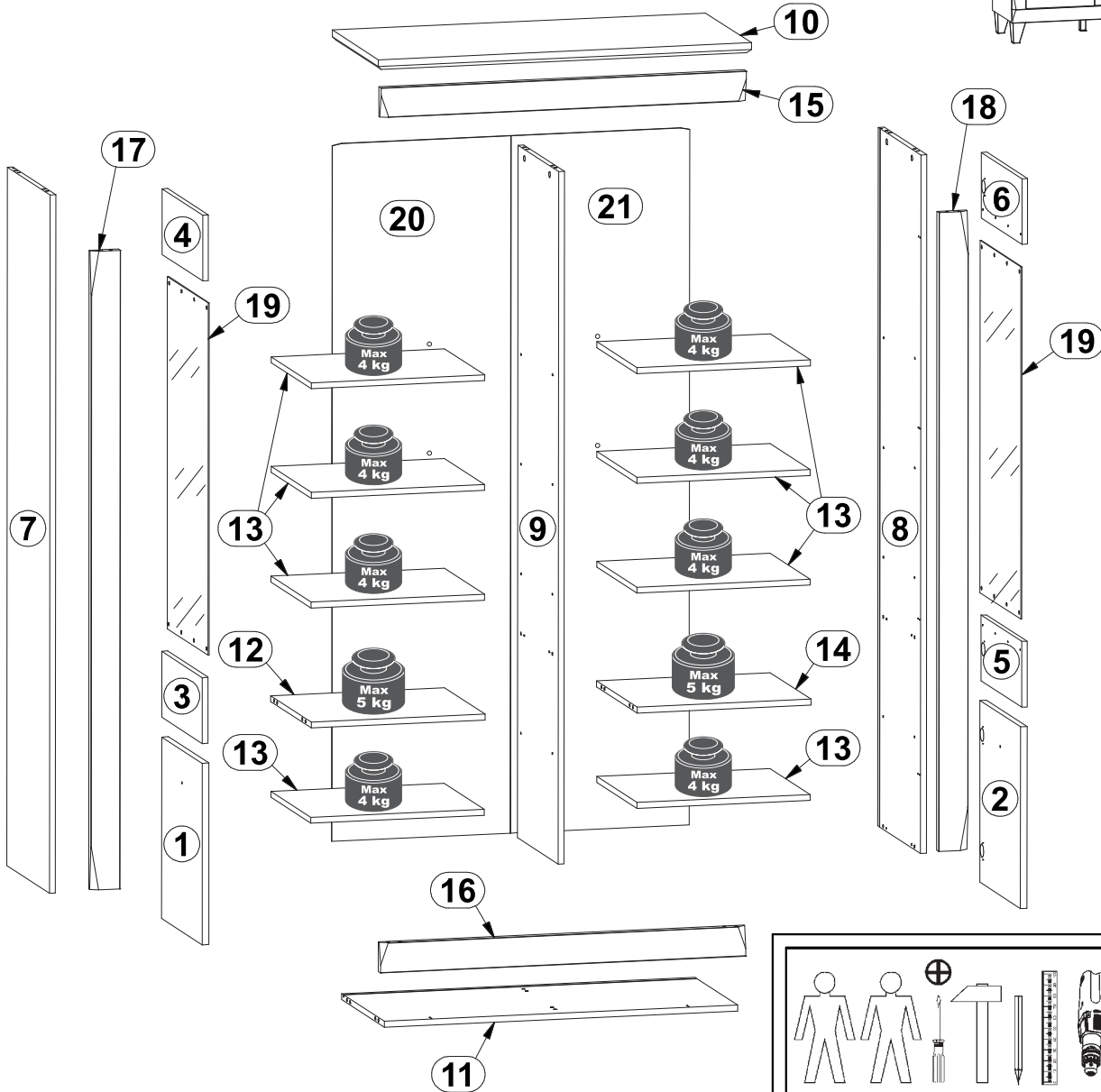
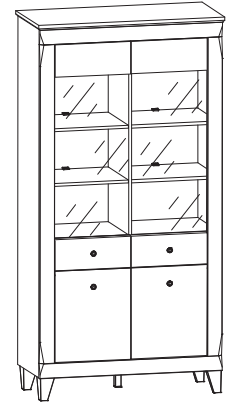


Граф / Graf

Вітрина / Витрина **REG2W2D**

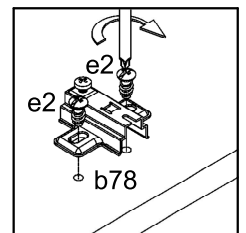
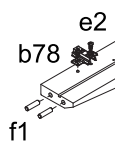
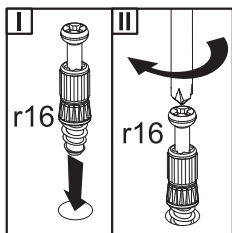
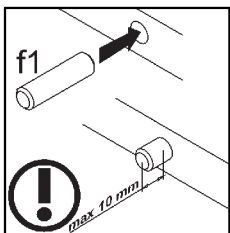
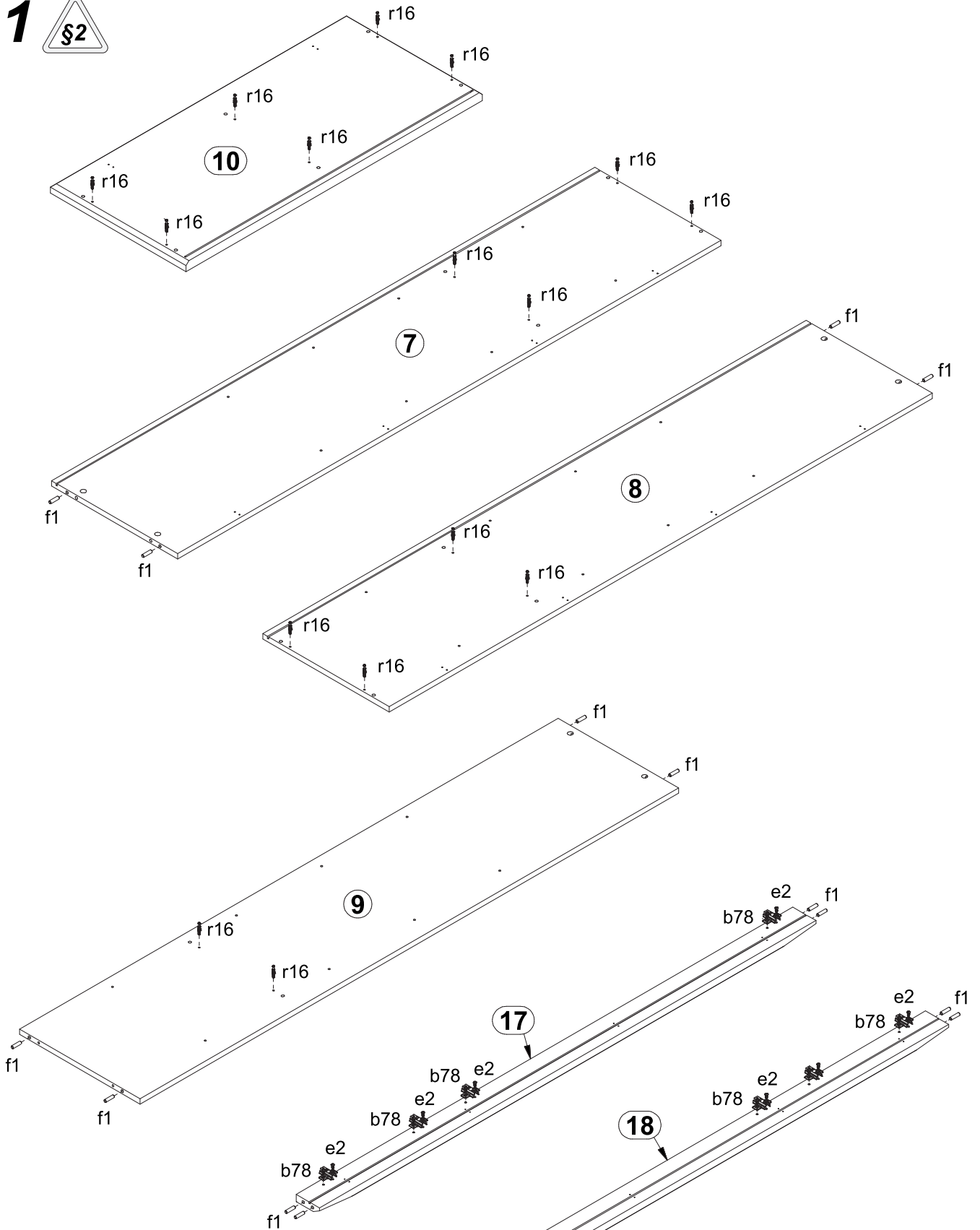
A	B	C	D
1	S359-0015-01	486	415 6/6
2	S359-0016-01	486	415 6/6
3	S359-0017-01	415	175 6/6
4	S359-0018-01	415	175 6/6
5	S359-0019-01	415	175 6/6
6	S359-0020-01	415	175 6/6
7	S359-1021	1872	435 1/6
8	S359-1022	1872	435 1/6
9	S359-1023	1856	415 1/6
10	S359-2006	1020	468 2/6

A	B	C	D
11	S359-3011	966	435 2/6
12	S359-3012	475	415 3/6
13	S359-3014	474	409 3/6
14	S359-3015	475	415 3/6
15	S359-5015	999	80 4/6
16	S359-5016	999	80 4/6
17	S359-5017	1712	80 4/6
18	S359-5018	1712	80 4/6
19	S359-5019	944	415 5/6
20	S359-9510	1869	488 1/6
21	S359-9511	1869	488 1/6

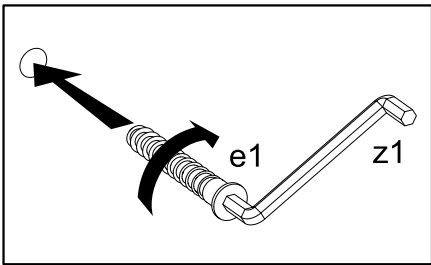
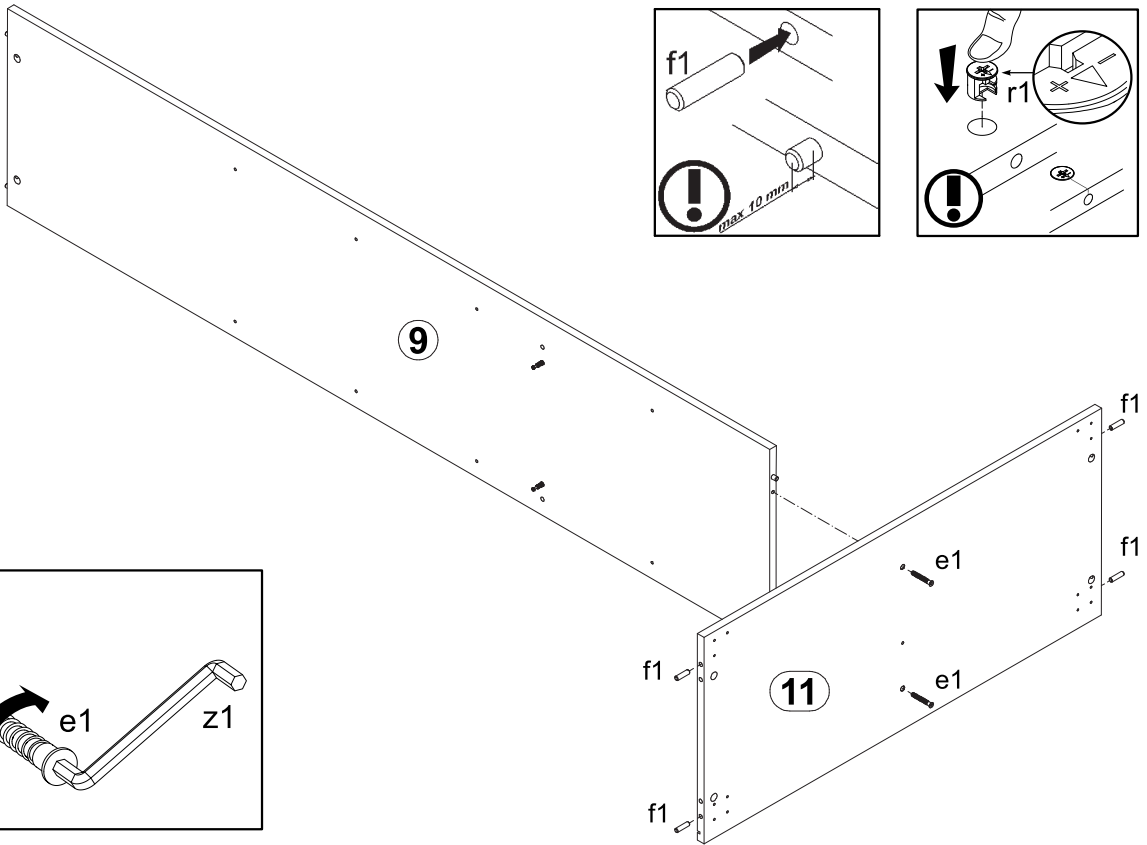


4x a63/1 h=3 mm d=45 mm	8x a132	4x a133	8x b78 H2	4x c415 M4	32x d1 φ5x17 mm	12x d37	2x e1 φ7x50 mm	17x e2 φ6,3x13 mm
16x e41 φ5x12 mm	12x e58 φ5x18 mm	28x f1 φ8x30 mm	2x j1 M4x20 mm	2x j30 M4x22 mm	1x k3813 42,5x42,5x4 mm	1x k3817 30x30x108 mm	4x k125	10x l1
14x l2	1x n26/1	7x n108 20x13x3,5x1 mm	16x o54 φ5,3/φ8,3x4,8 mm	1x o70/6 6P 2,4W	4x o114 d-16 mm	53x p38 φ3,5x16 mm	7x p55 φ2,9x16 mm	8x p51 φ3,5x15 mm
8x p143 φ3,5x18 mm	18x r1 φ15x12 mm #16	18x r16 20/9	6x s2 φ16	1x z1	1x			

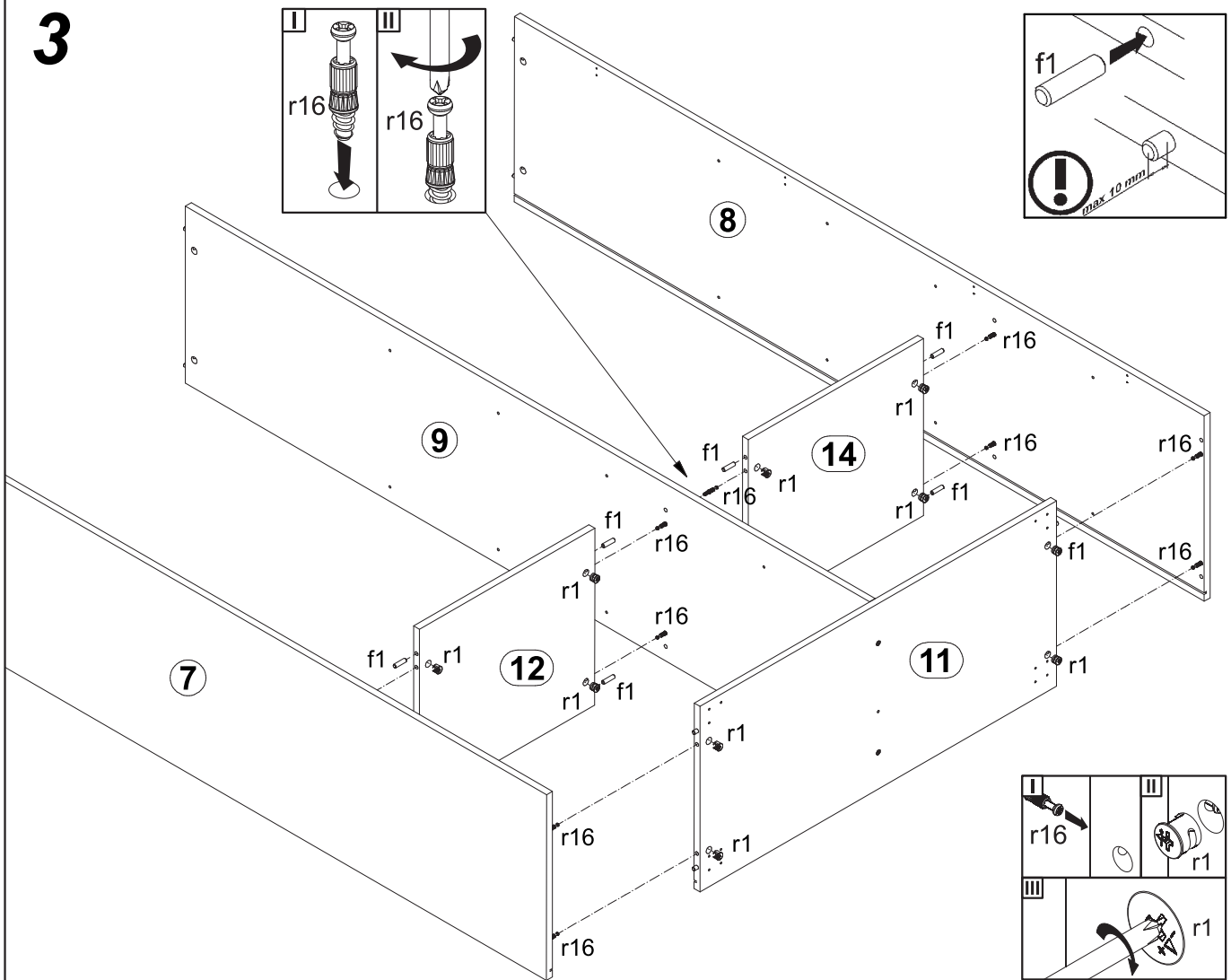
1 

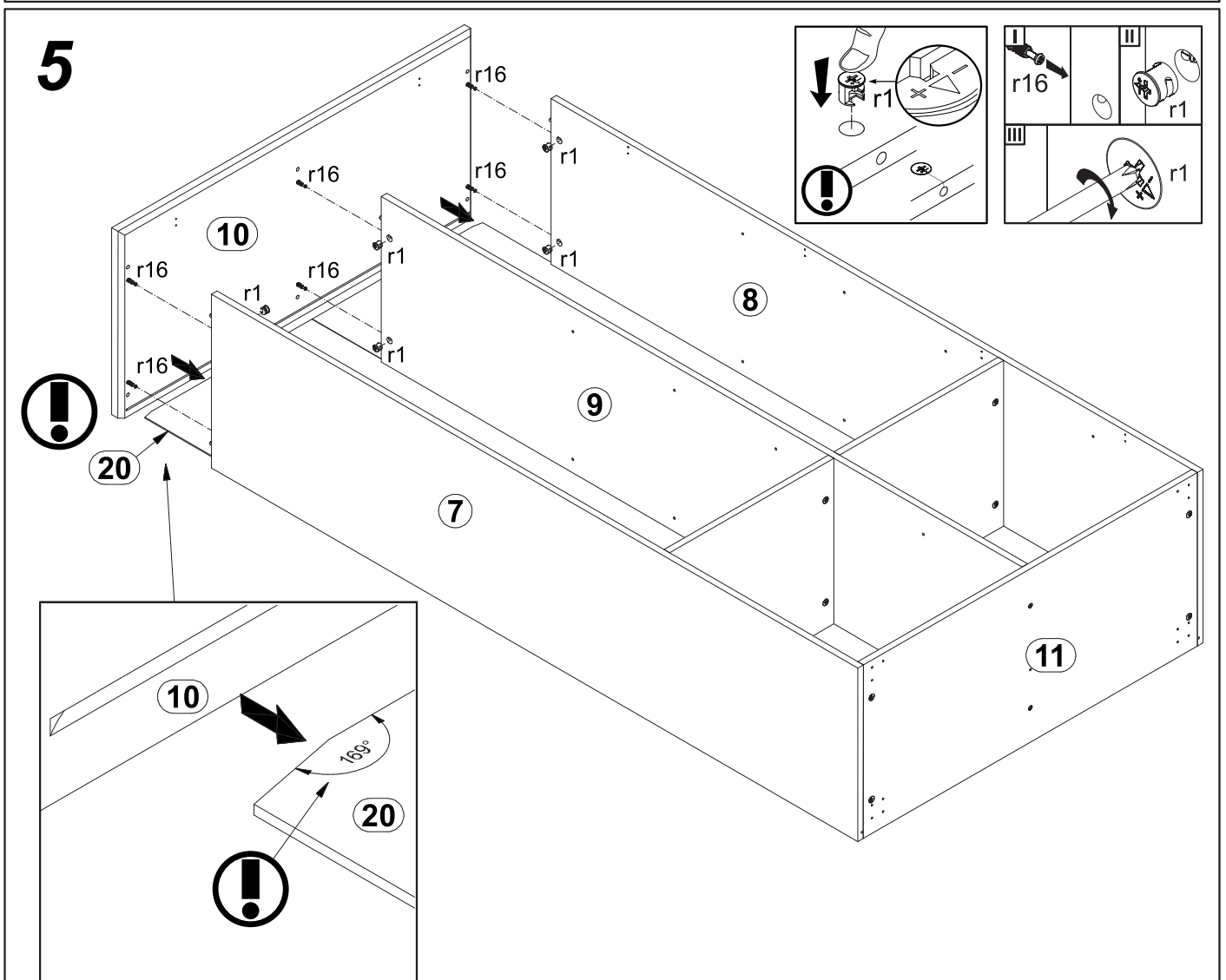
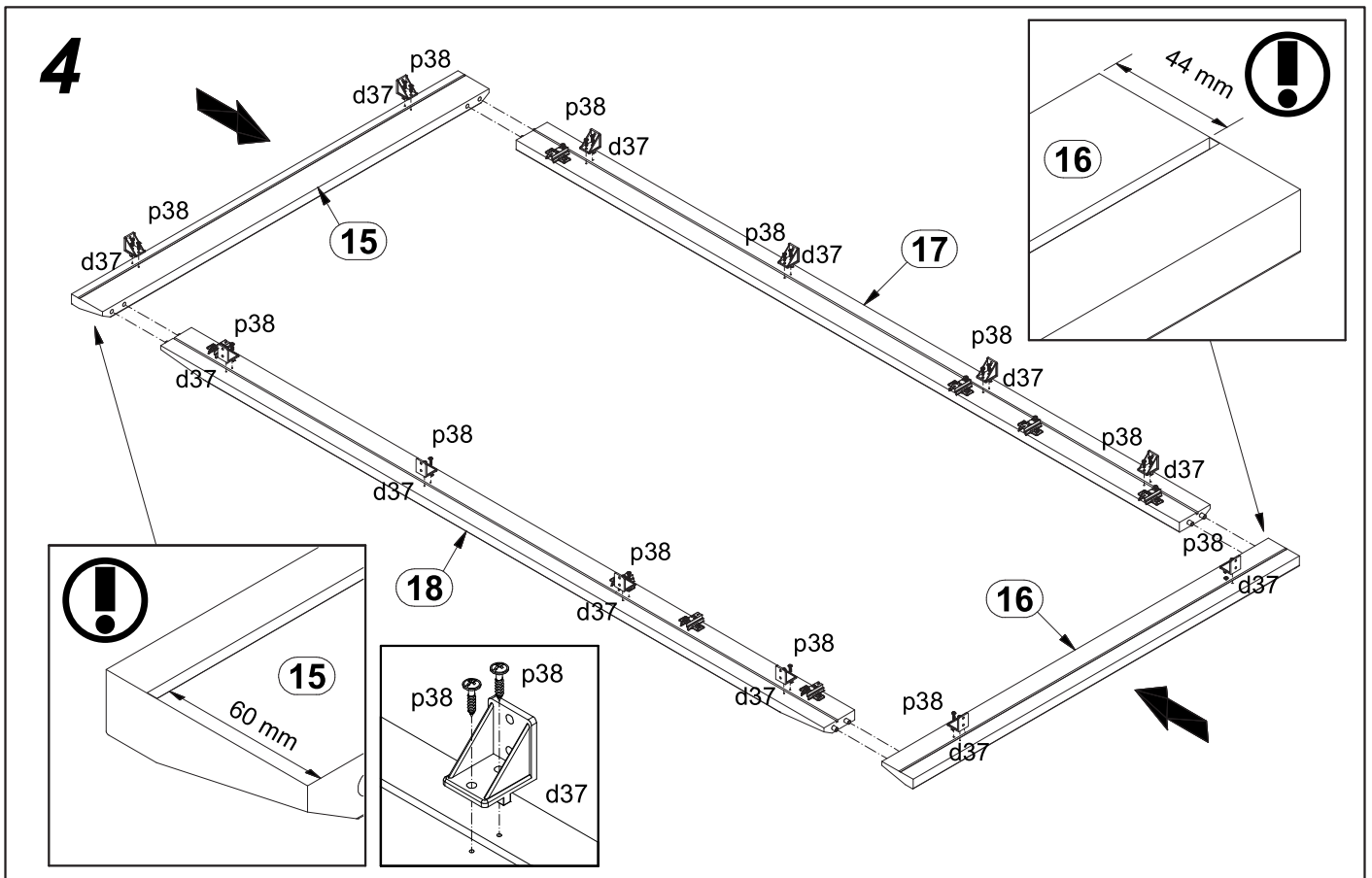


2 

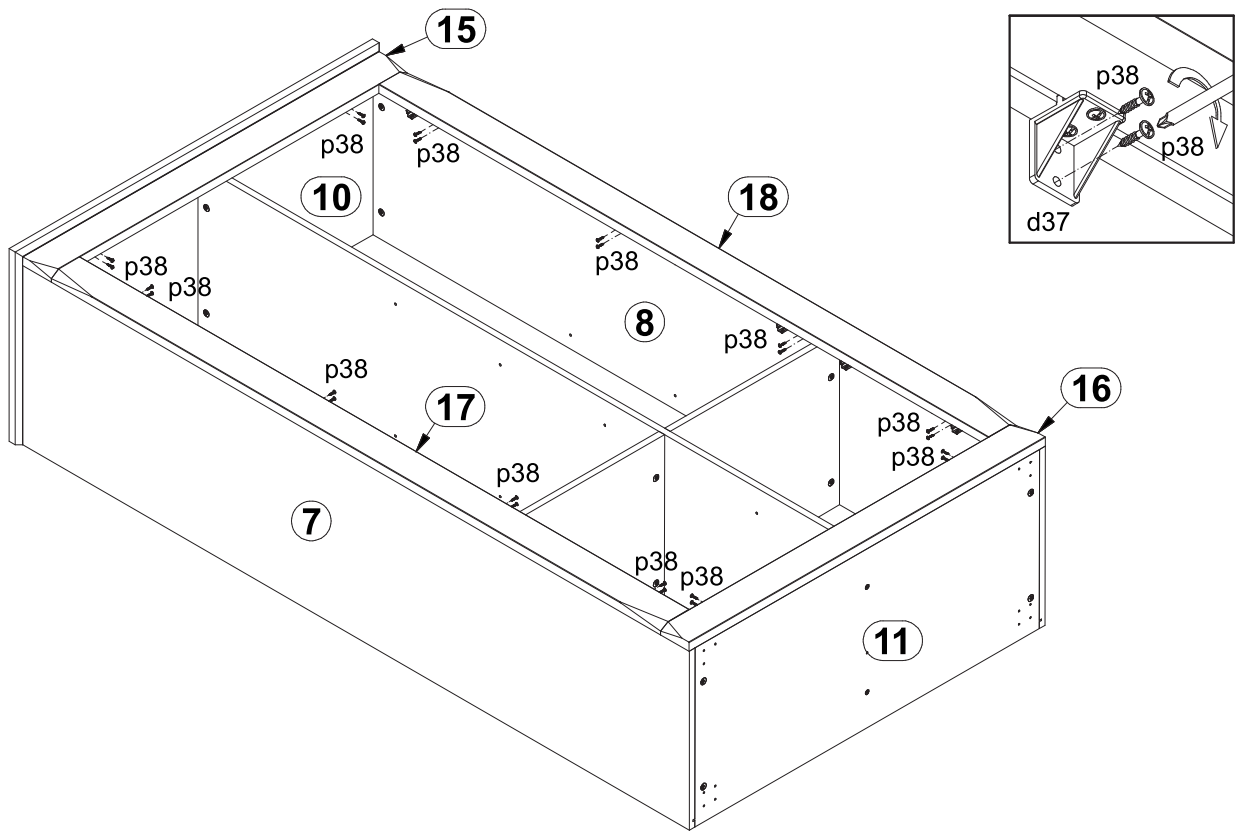


3

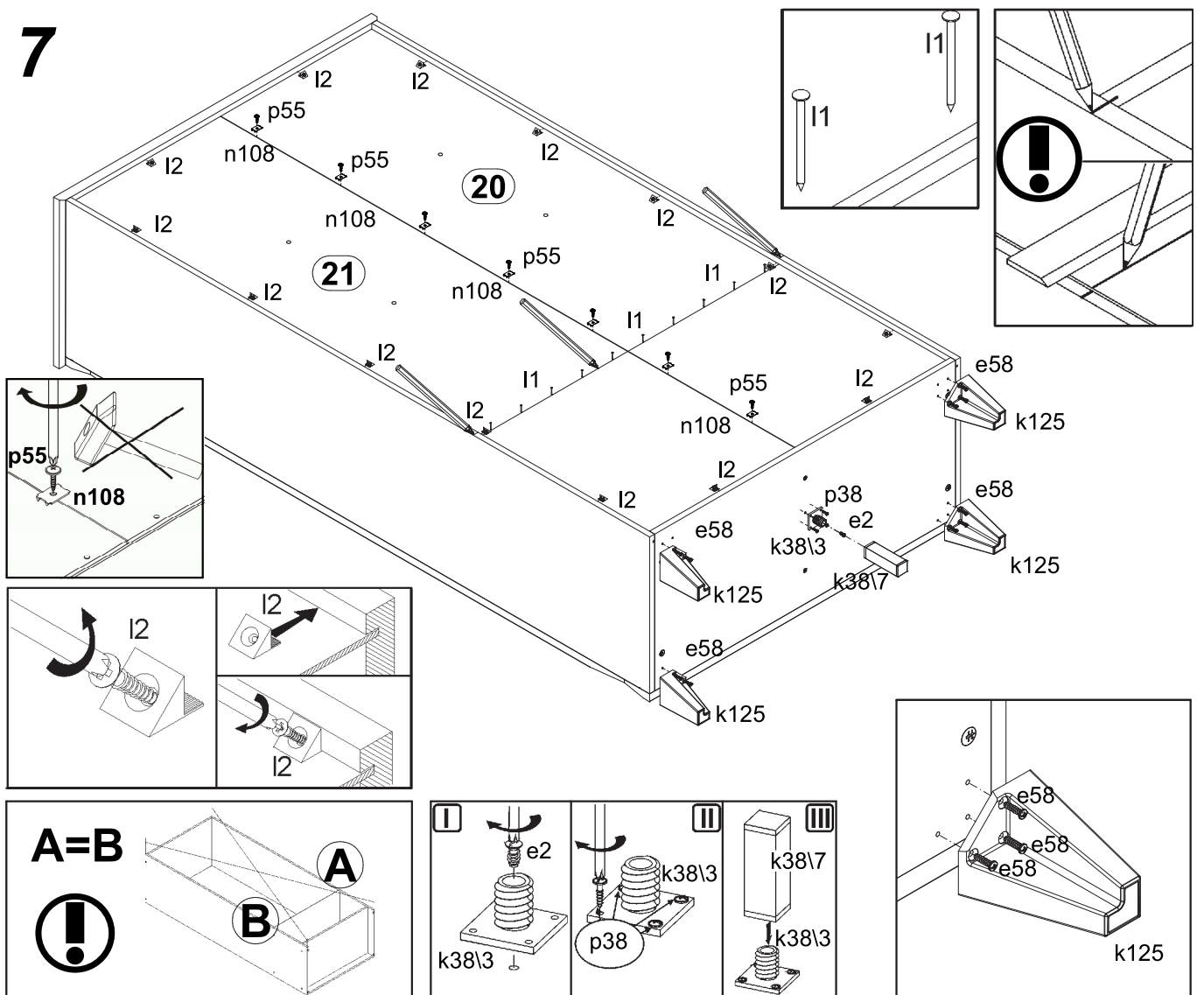




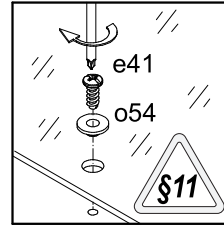
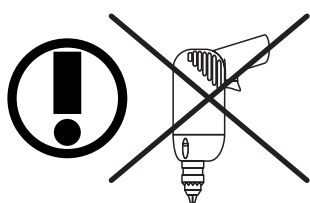
6



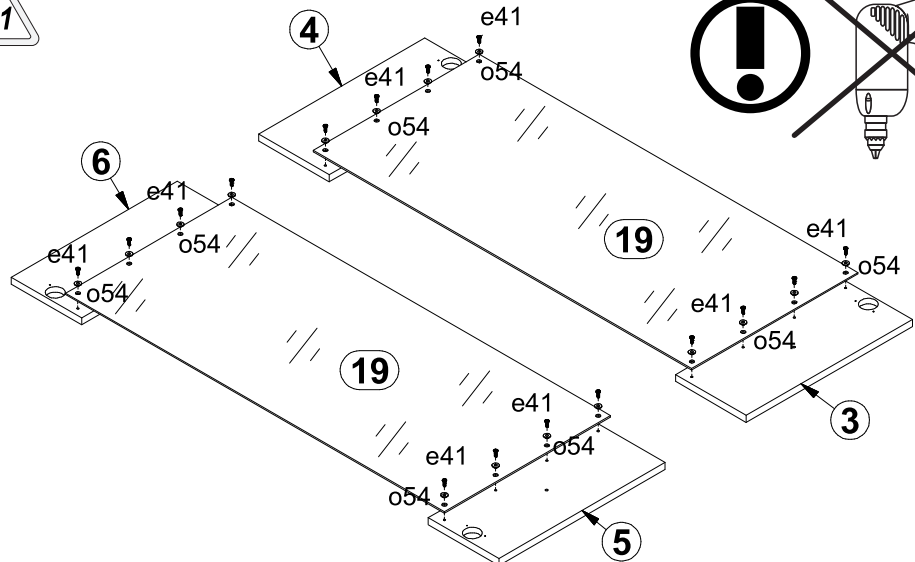
7



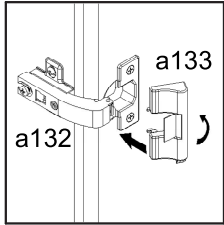
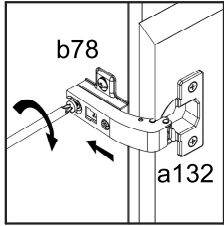
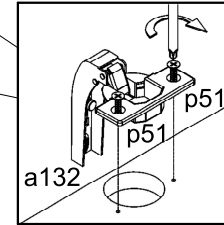
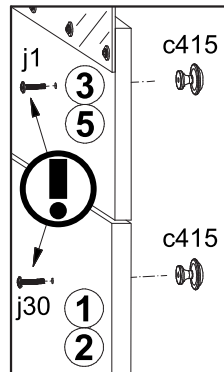
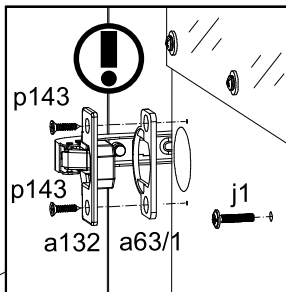
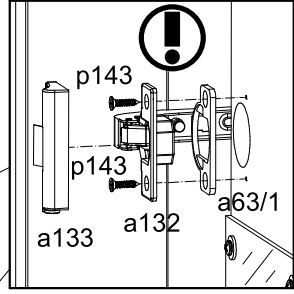
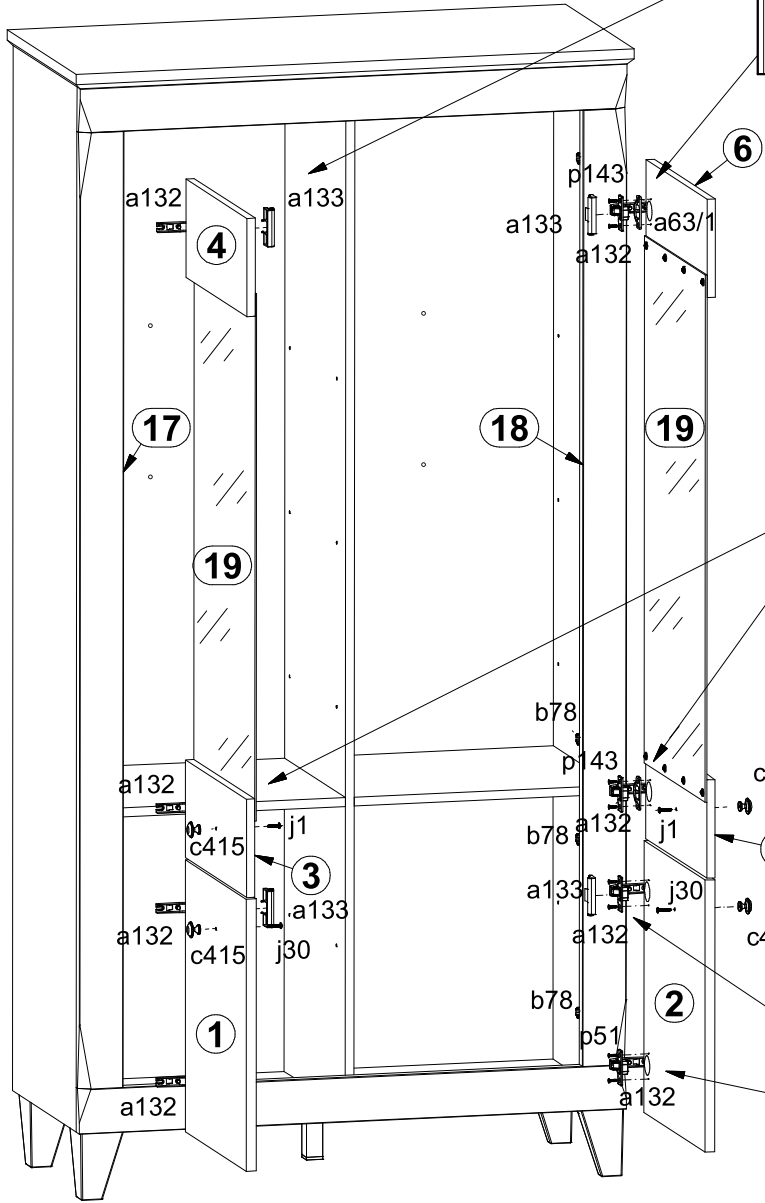
8 §11



I

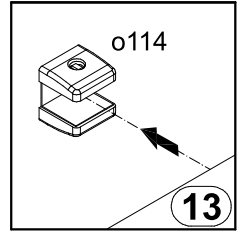
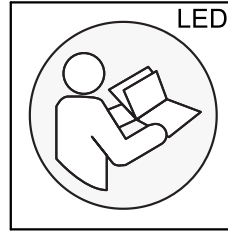
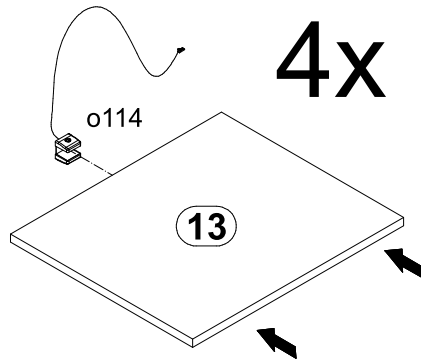


II

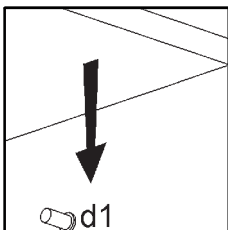
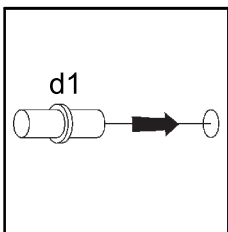
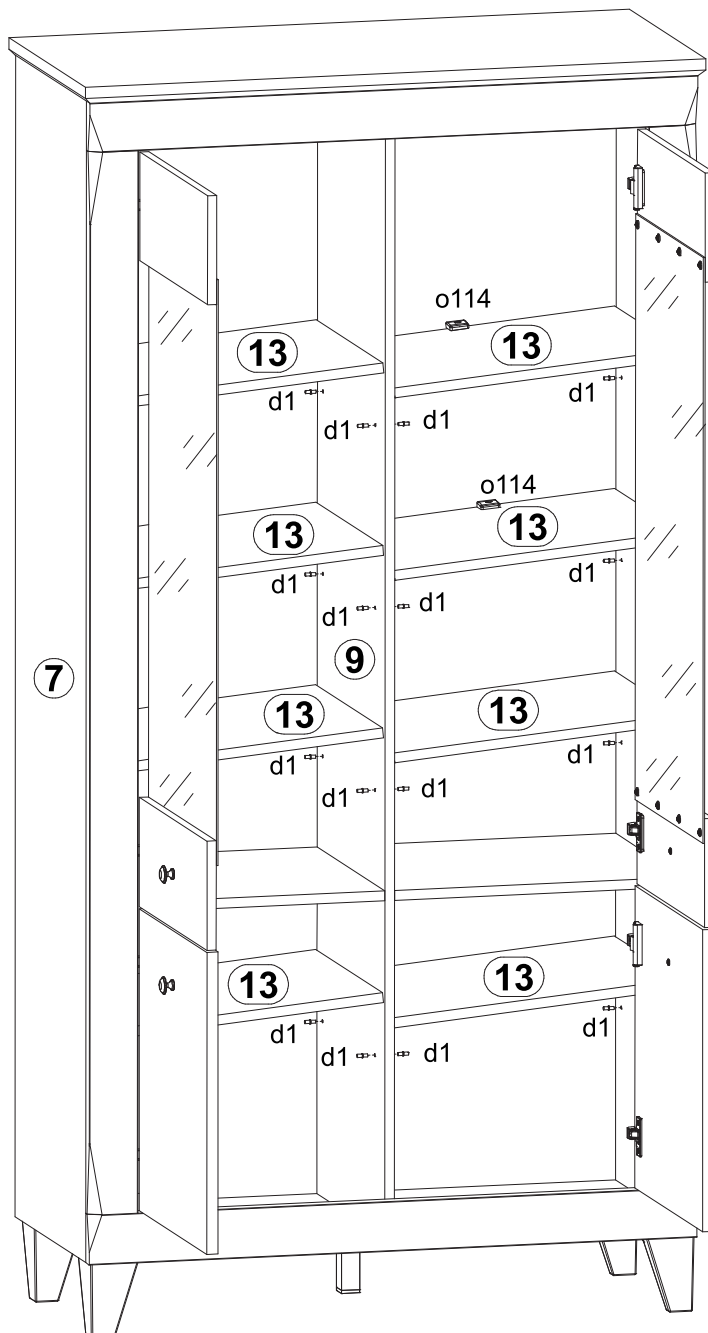


9

I



II



10

