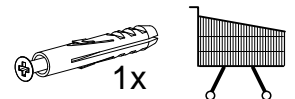
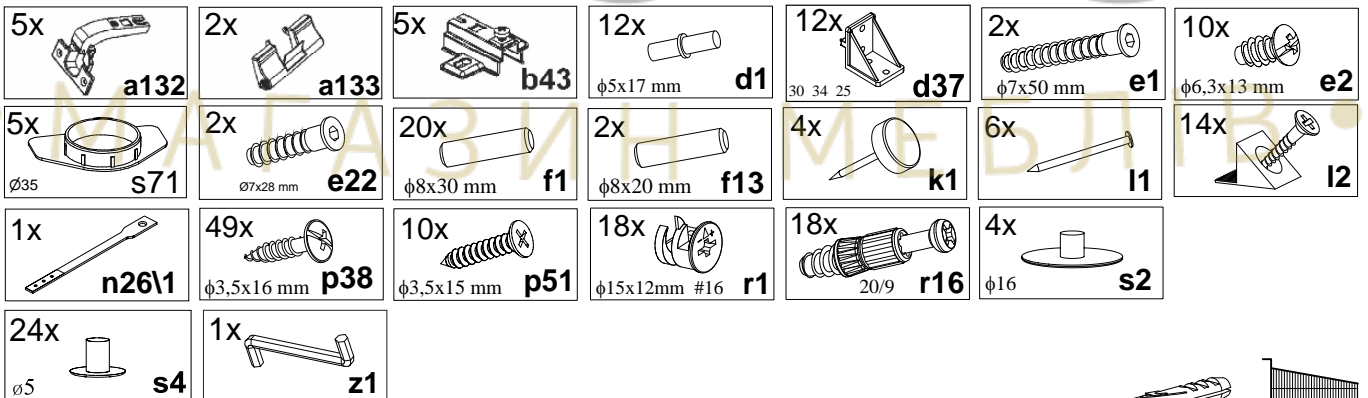
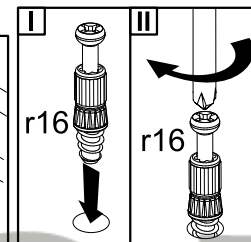
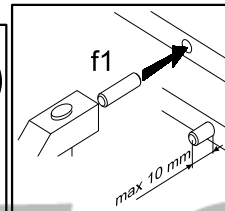
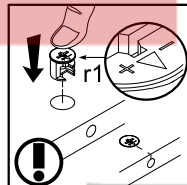
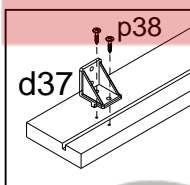
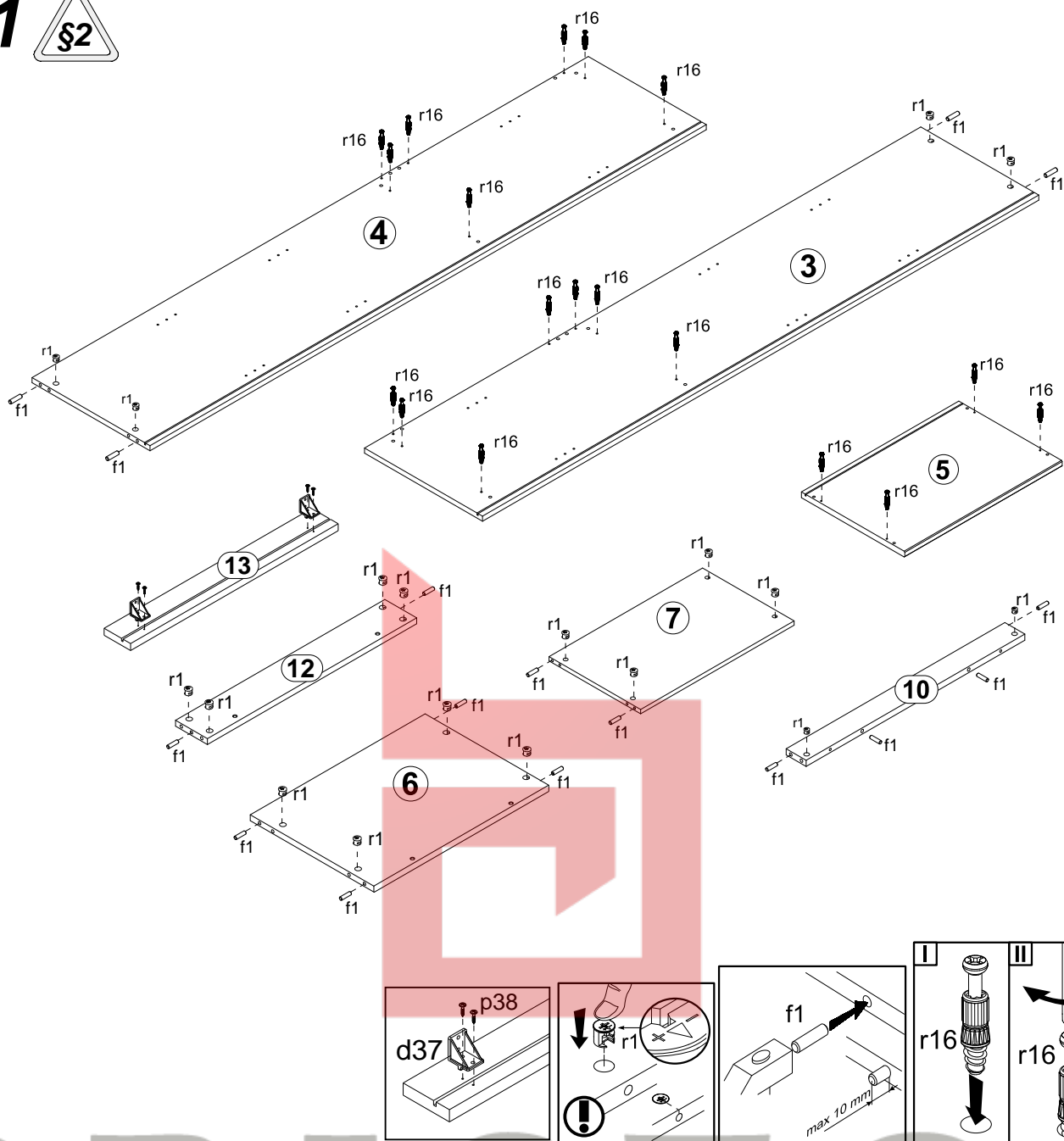


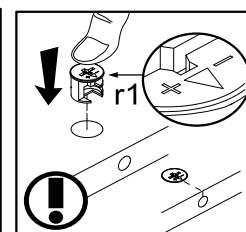
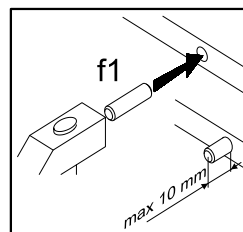
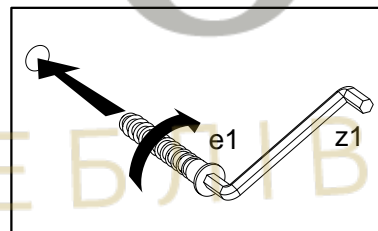
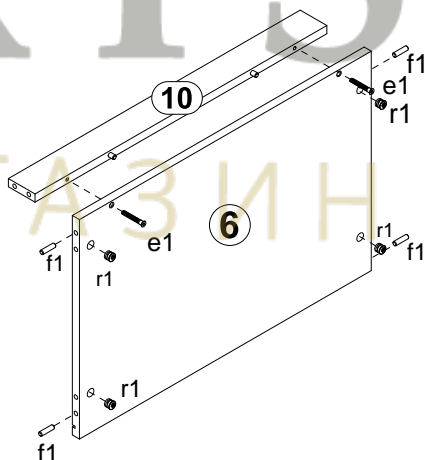
A	B	C	D
1	S404-0010	544	544
2	S404-0048	1265	544
3	S404-1025	2018	428
4	S404-1026	2018	428
5	S404-2015	691	454
6	S404-3010	657	428
7	S404-3013	657	392
8	S404-5037	2018	70
9	S404-5038	2018	70
10	S404-4008	657	60
11	S404-3012	657	408
12	S404-4011	657	160
13	S404-5016	549	70
14	S404-5017	549	70
15	S404-9306	1946	333
16	LH-1934	1934	14



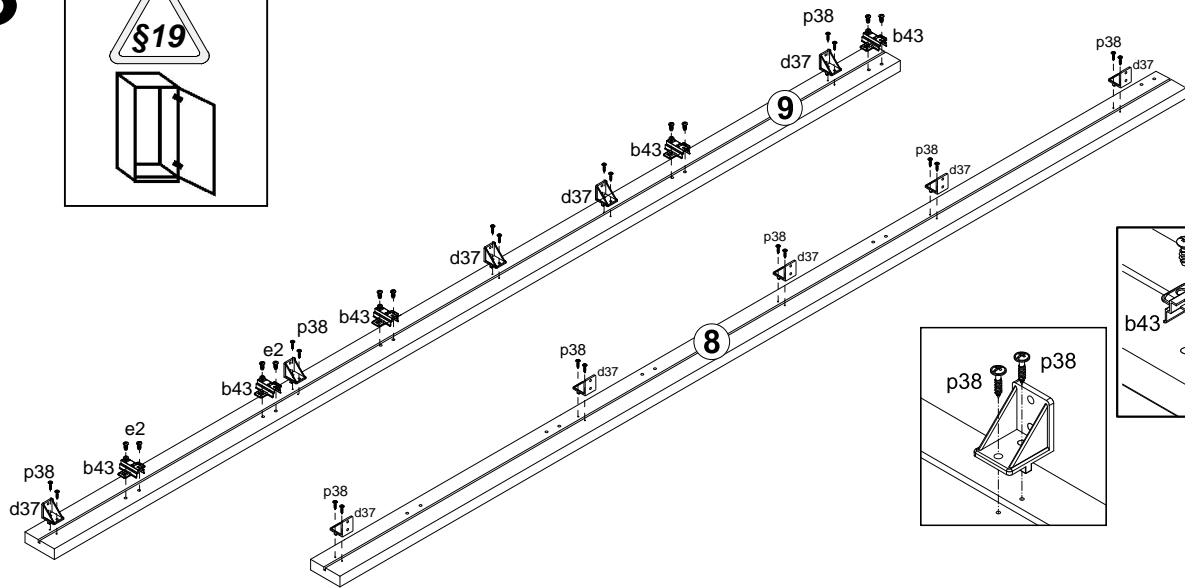
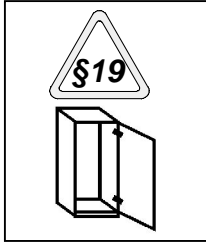
**1**  §2



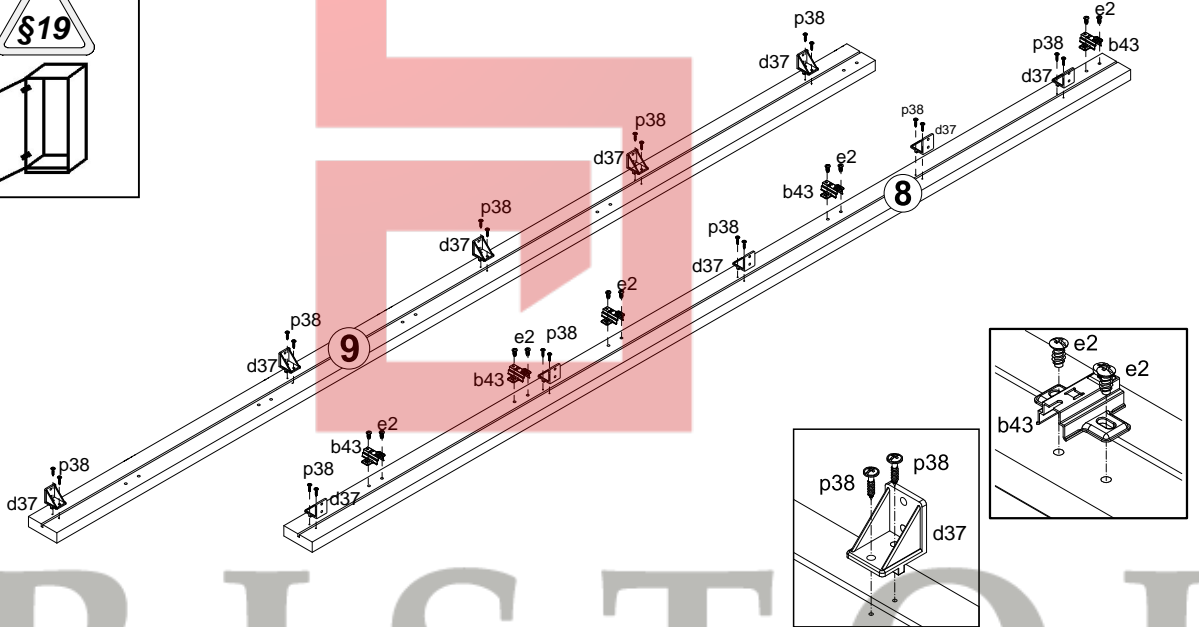
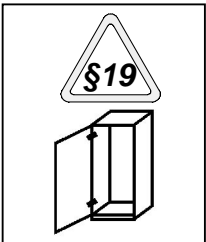
**2**  §6



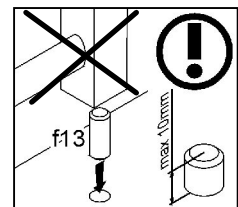
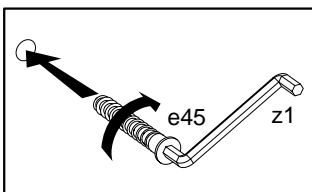
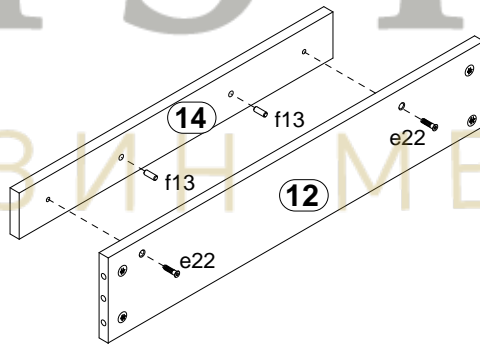
3



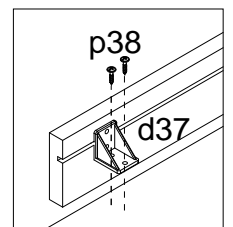
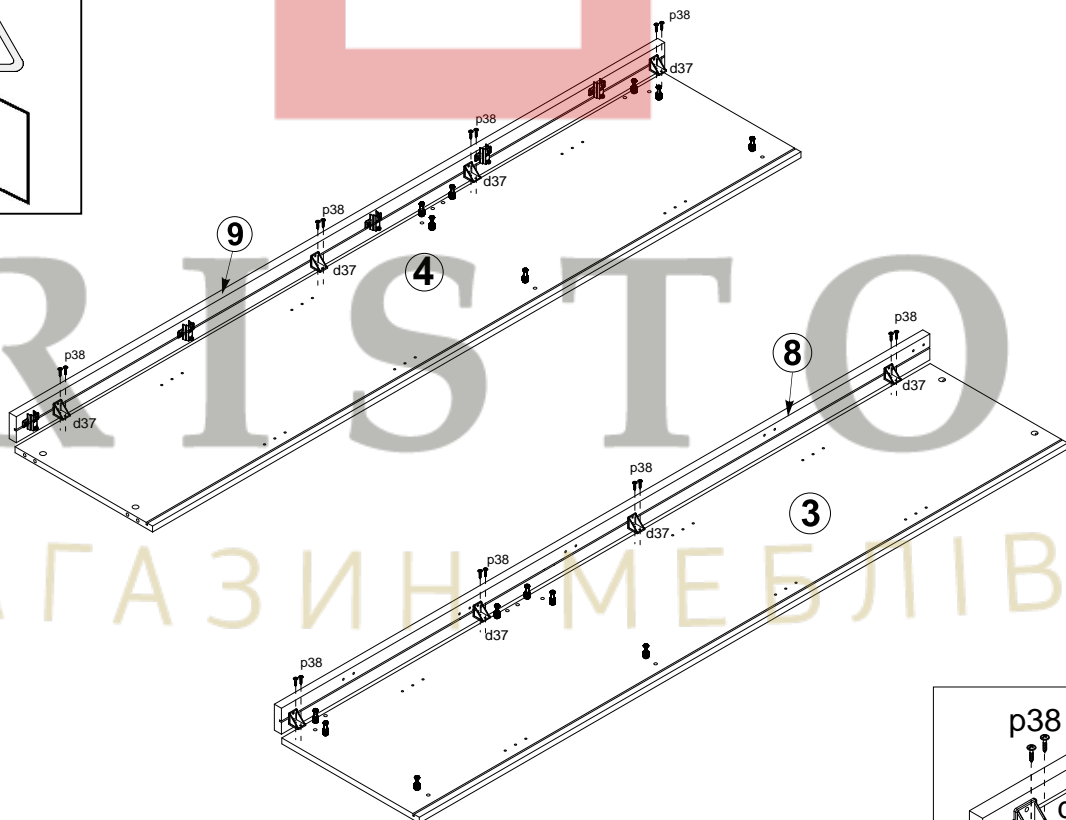
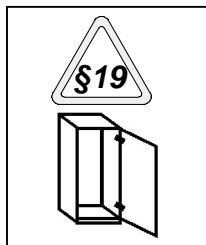
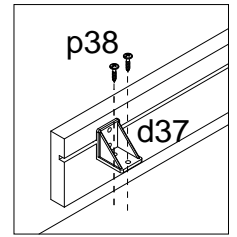
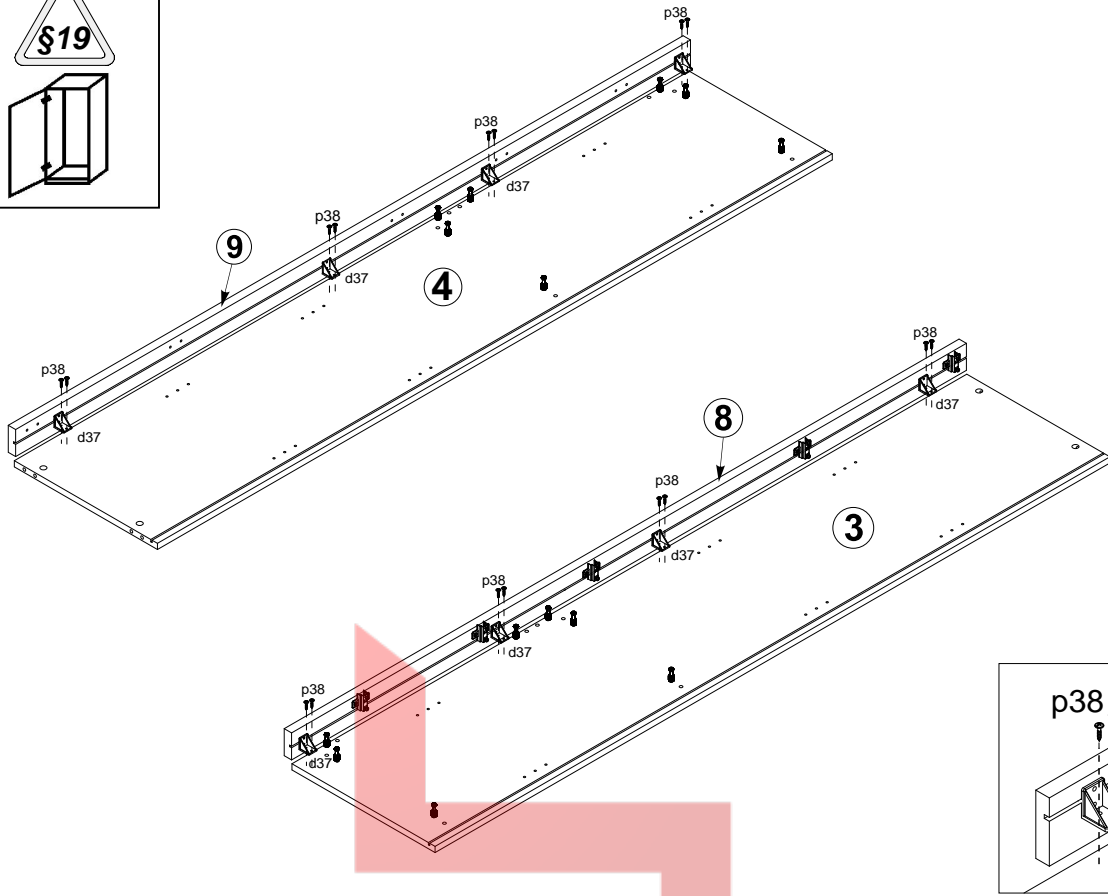
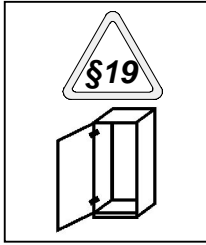
4



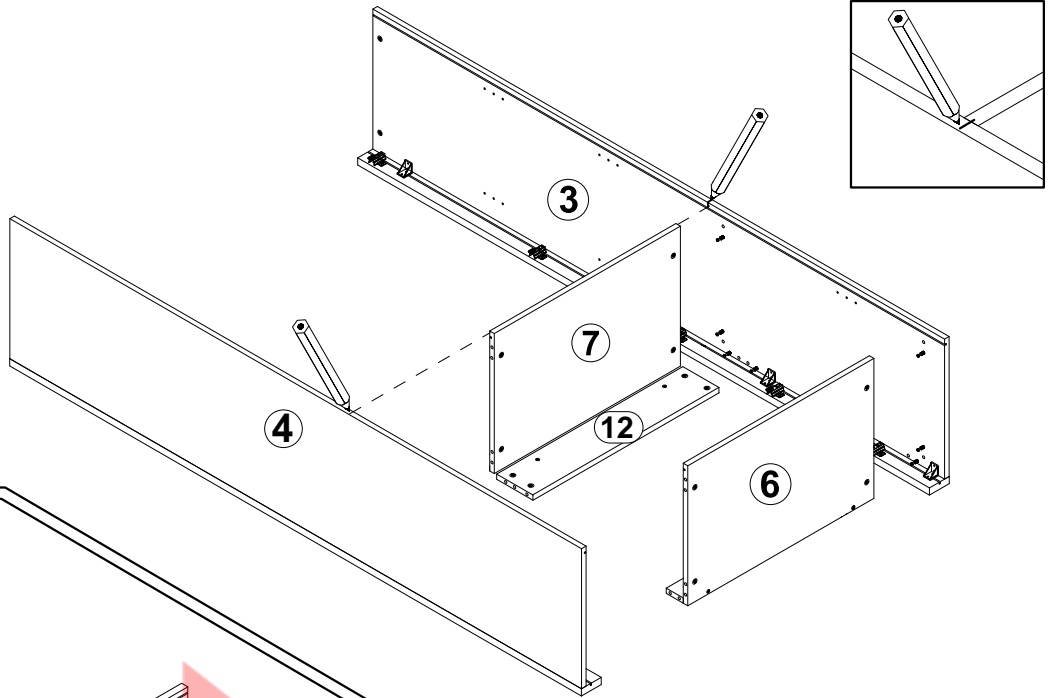
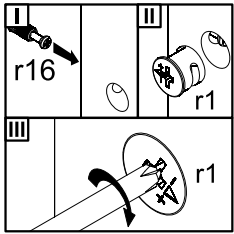
5



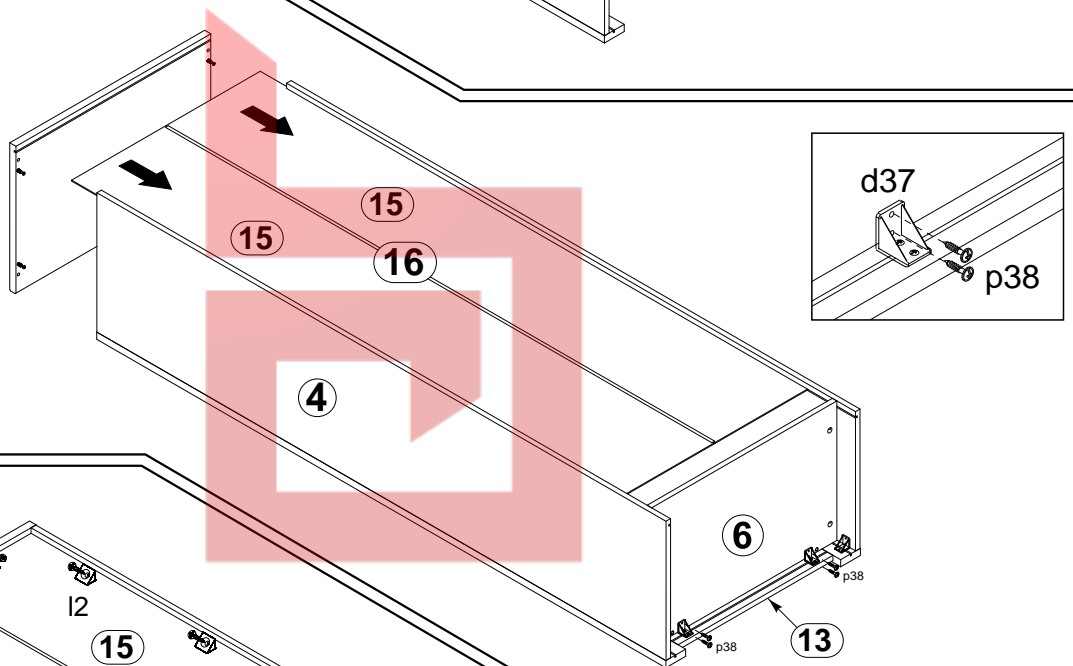
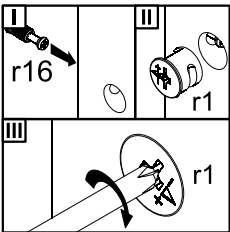
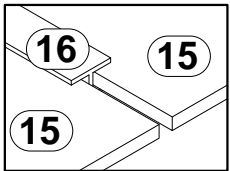
6



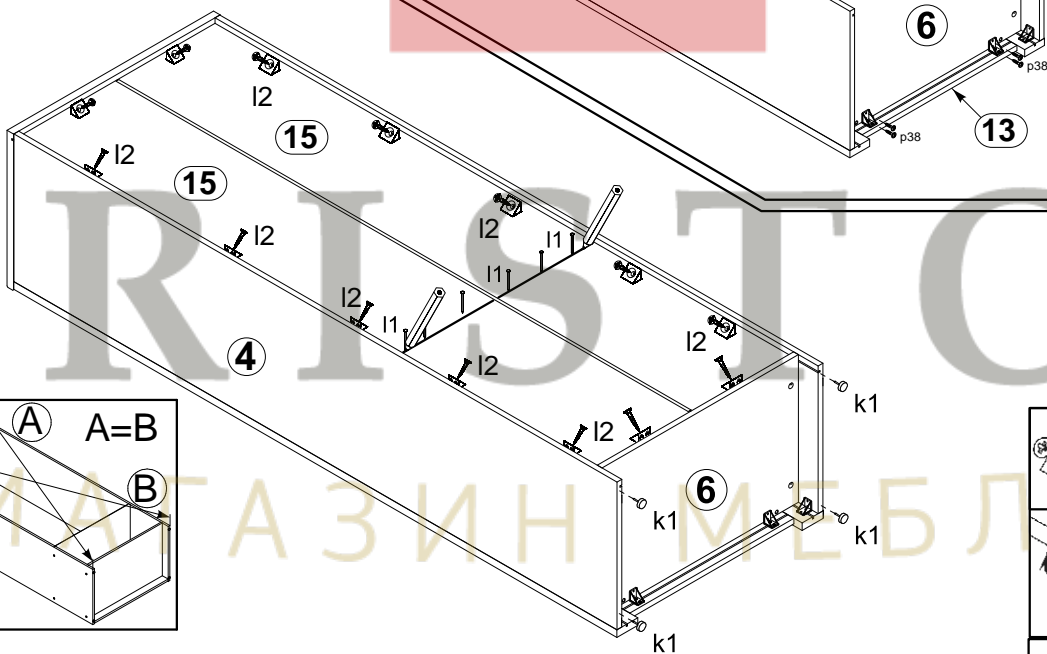
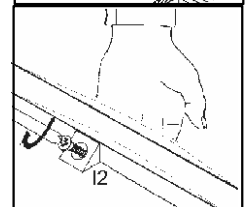
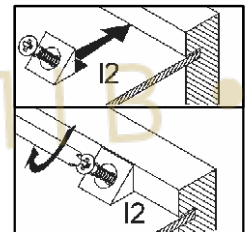
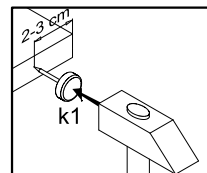
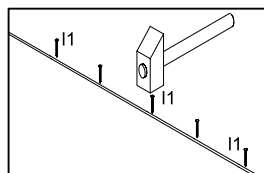
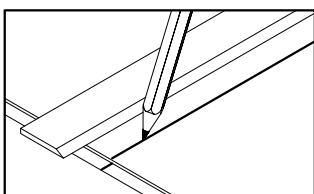
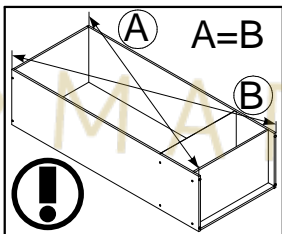
# 7



# 8



# 9



# 10

