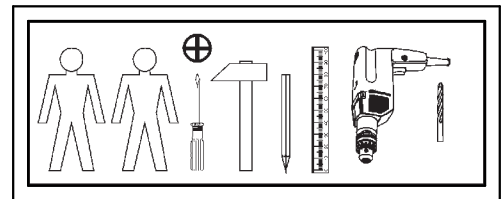
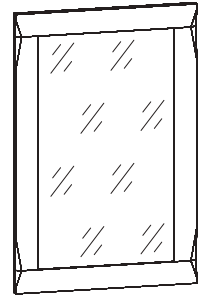
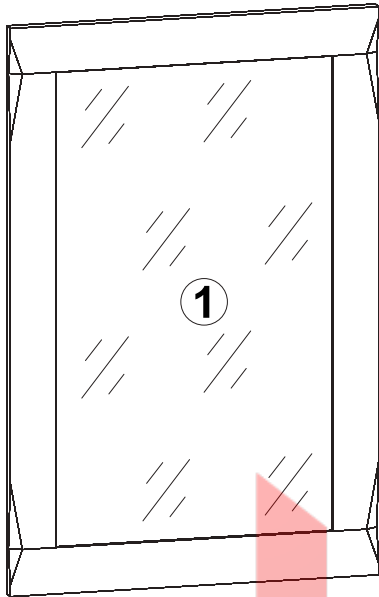
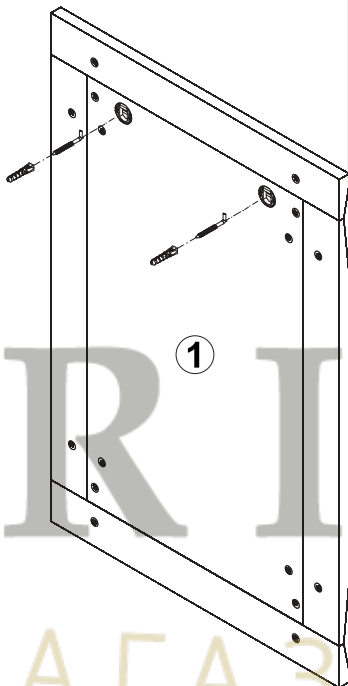


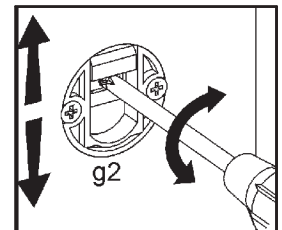
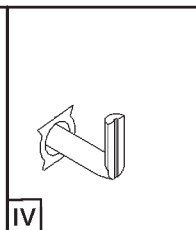
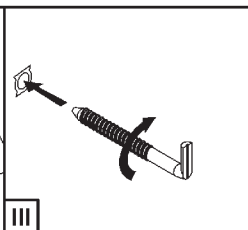
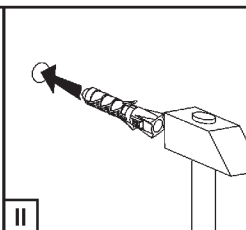
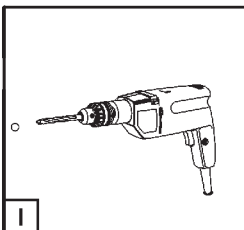
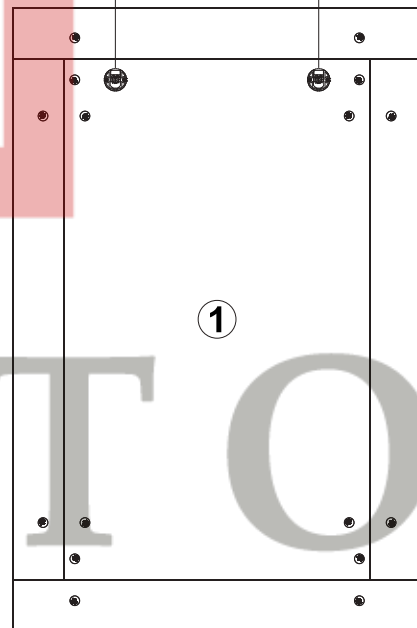
A	B	C	D
1	S359-404	980	642

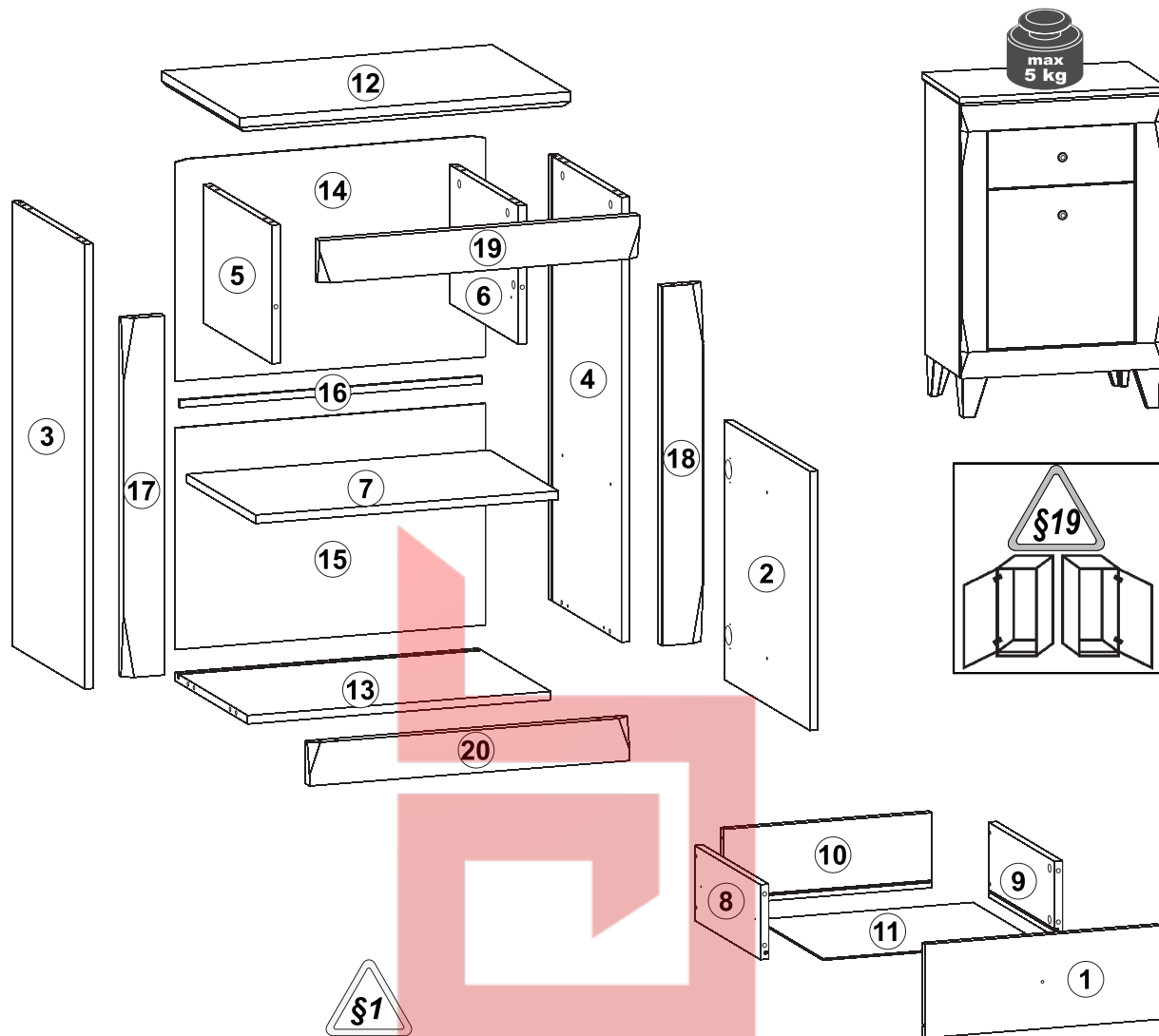


1



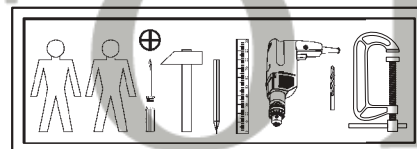
161 mm 320 mm 161 mm





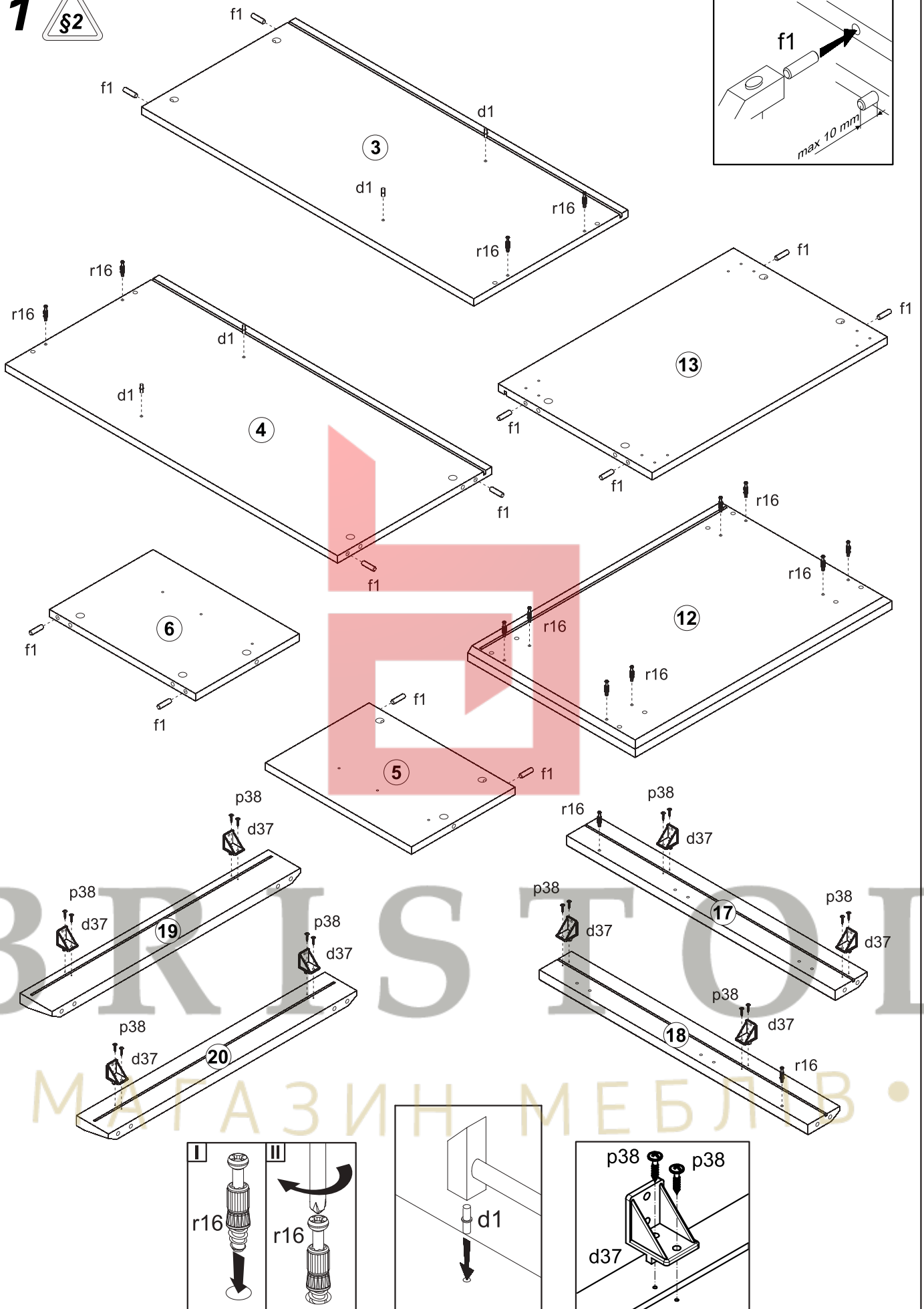
A	B	C	D
1	S359-001	455	175
2	S359-002	484	455
3	S359-106	831	385
4	S359-107	831	385
5	S359-108	259	365
6	S359-109	259	365
7	S359-305	588	365
8	S359-568	350	140
9	S359-569	350	140
10	S359-567	404	140

A	B	C	D
11	S359-912	349	419
12	S359-203	642	418
13	S359-304	588	385
14	S359-914	414	602
15	S359-915	414	602
16	LH-587	587	14
17	S359-5007	671	80
18	S359-5010	671	80
19	S359-5059	621	80
20	S359-5051	621	80

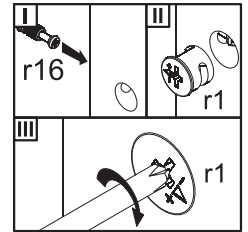
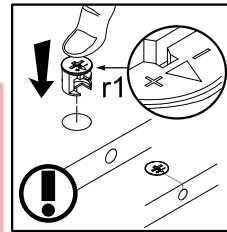
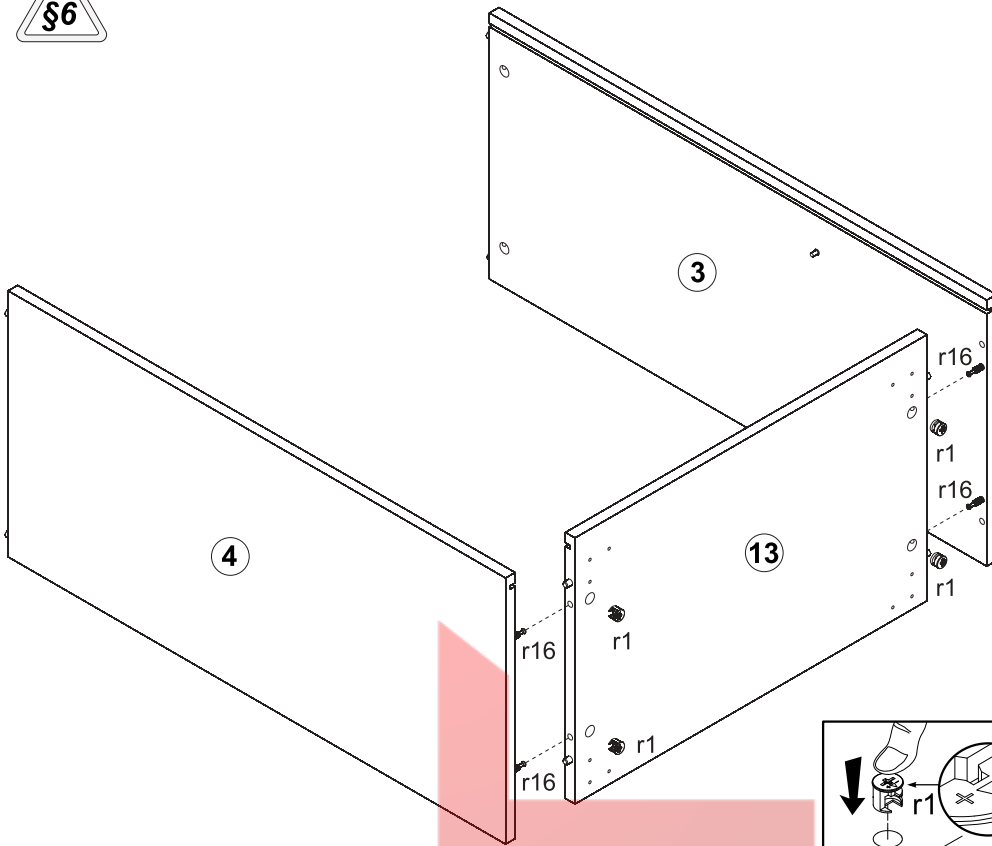


2x a132	1x a133	2x b43	1x M4 c415	4x φ5x17 mm d1	8x d37	4x φ6,3x13 mm e2
6x φ6x13 mm e3	4x φ5x50 mm e32	12x φ5x18 mm e58	20x φ8x30 mm f1	1x M4x22 mm j30	4x k125	6x l2
1x n26\1	33x φ3,5x16 mm p38	4x φ3,5x15 mm p51	6x φ3,5x12 mm p140	18x φ15x12 mm #16 r1	18x 20/9 r16	6x ø16 s2
1x ø5 s4	2x 350 mm w201 ¹	2x 350 mm w201 ²	 1x			

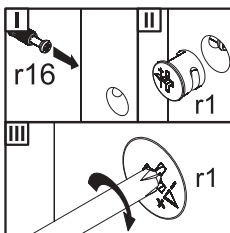
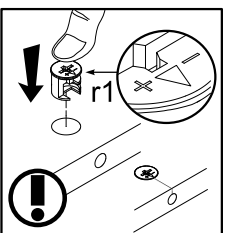
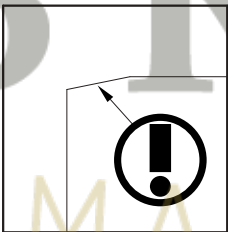
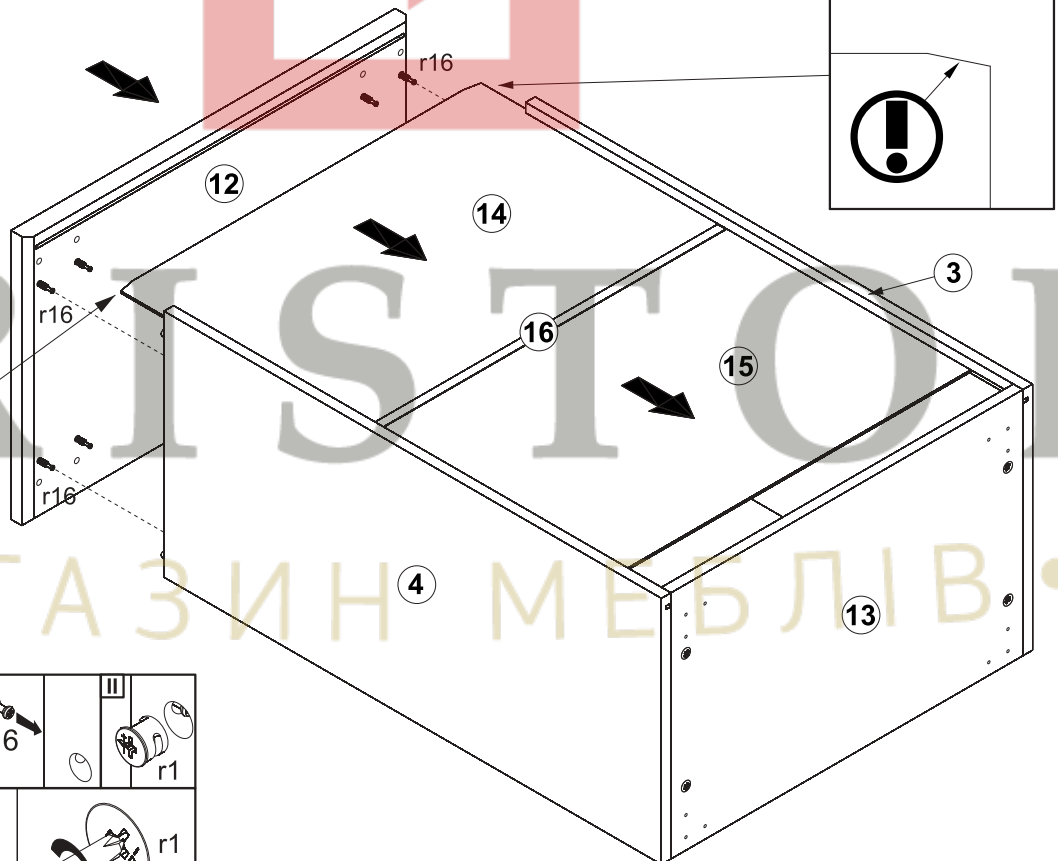
1



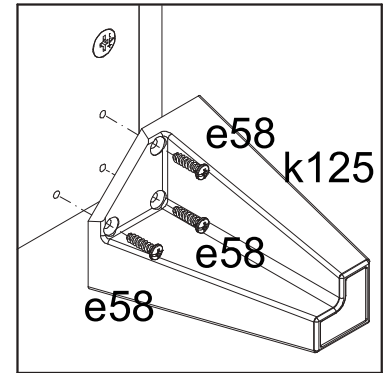
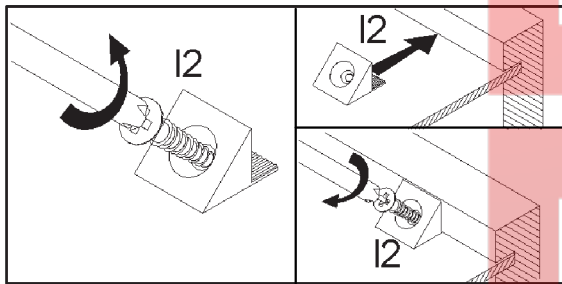
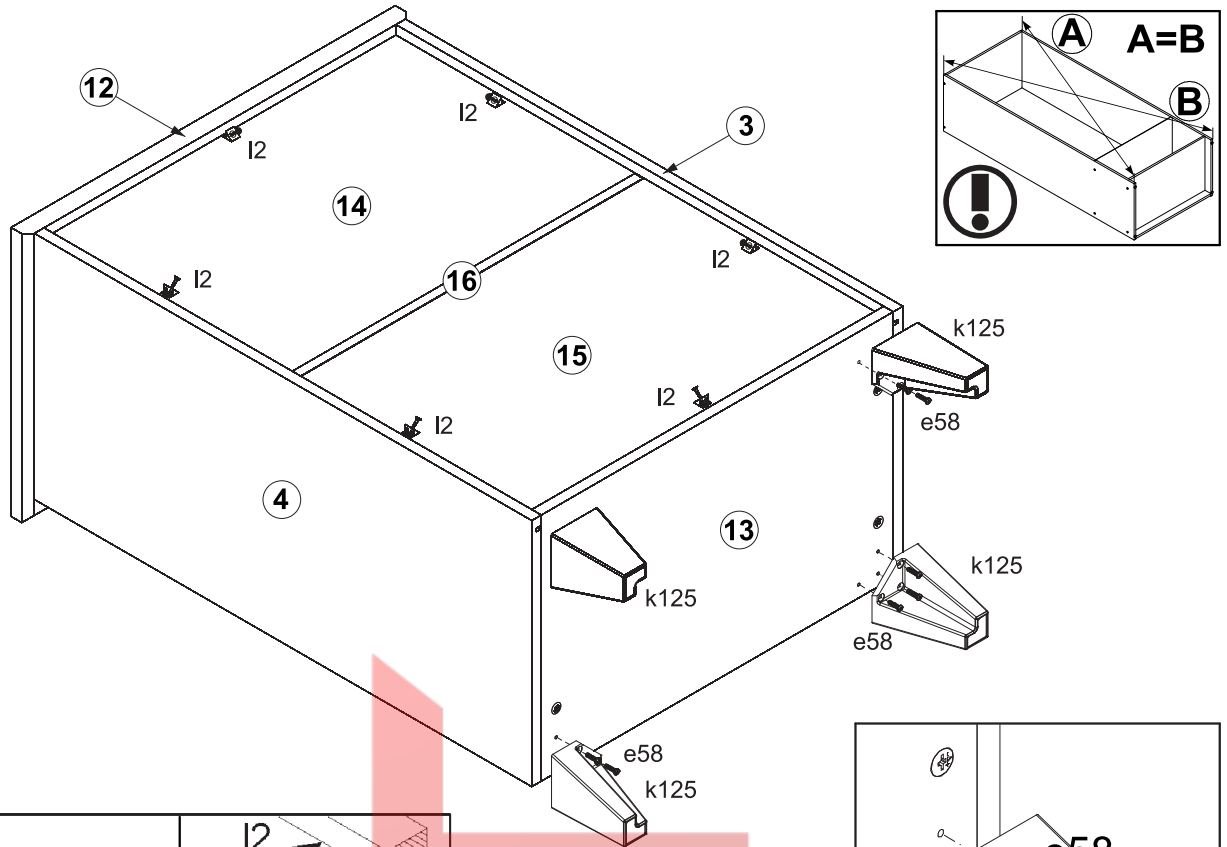
2 



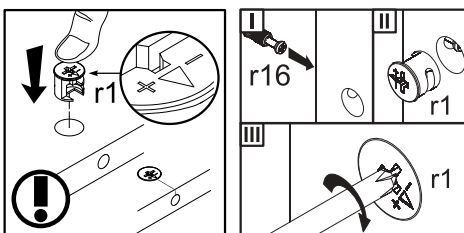
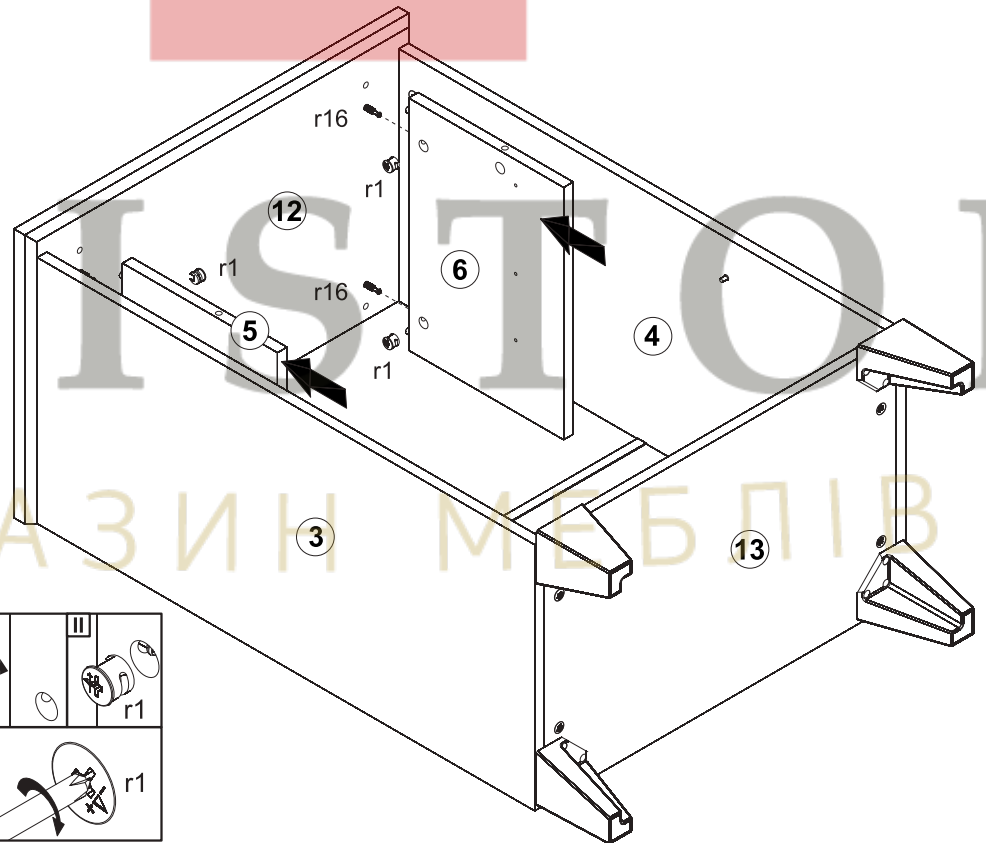
3



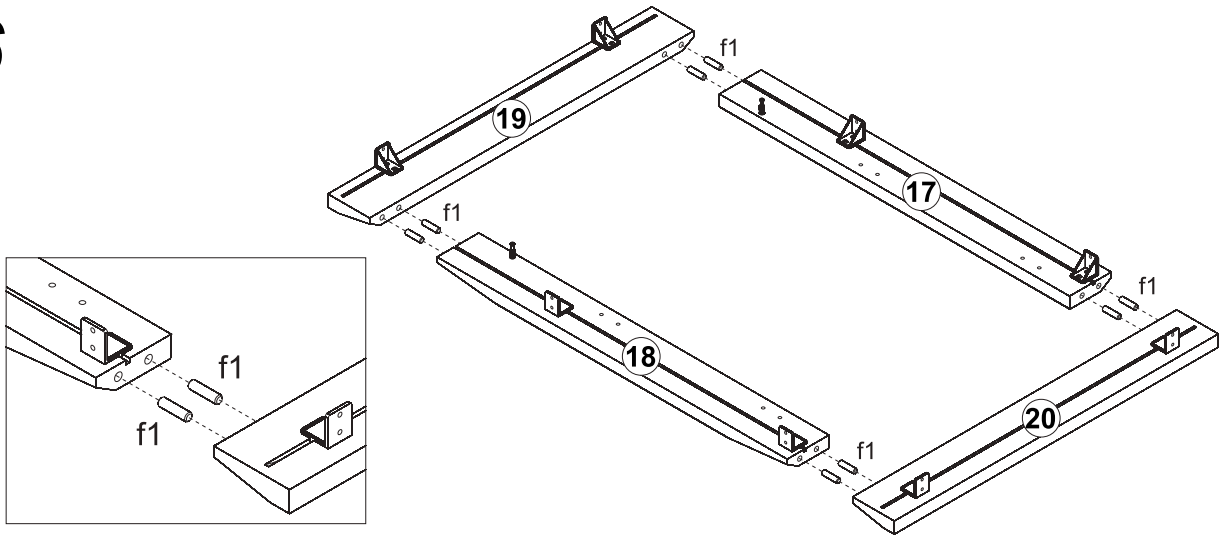
4



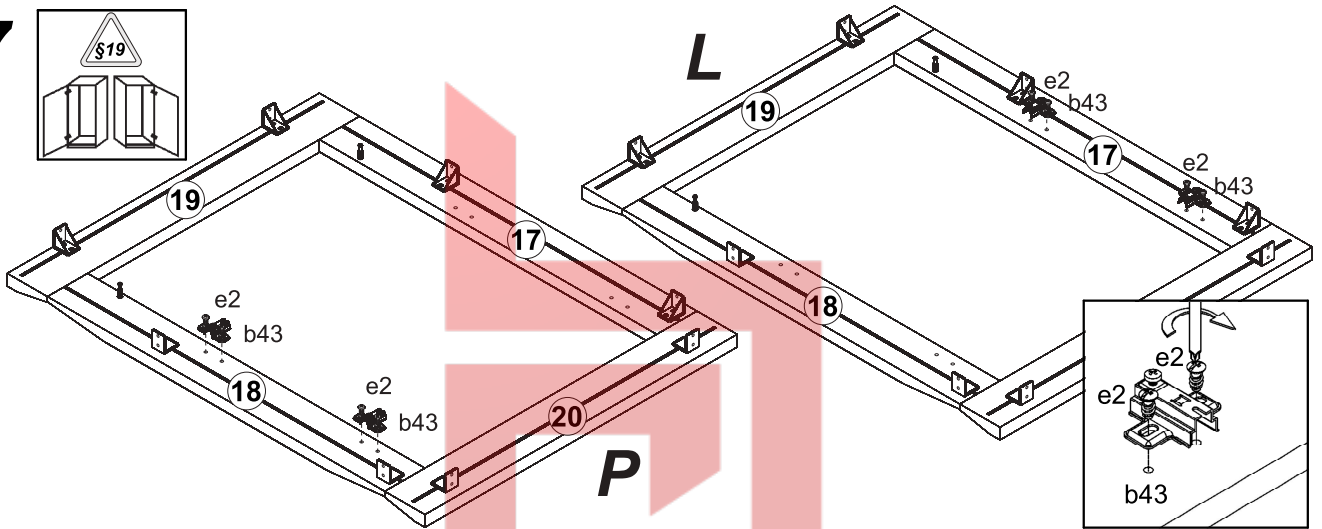
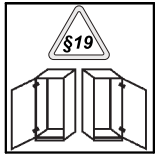
5



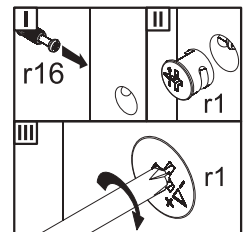
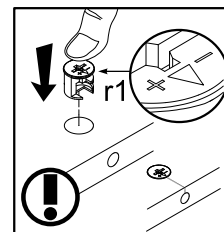
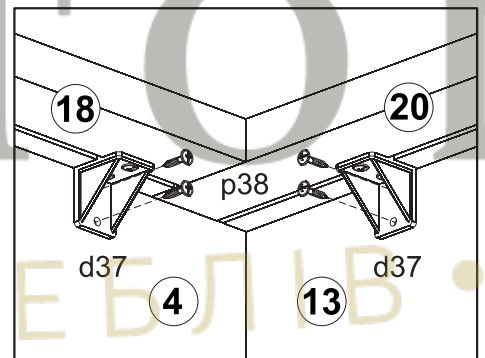
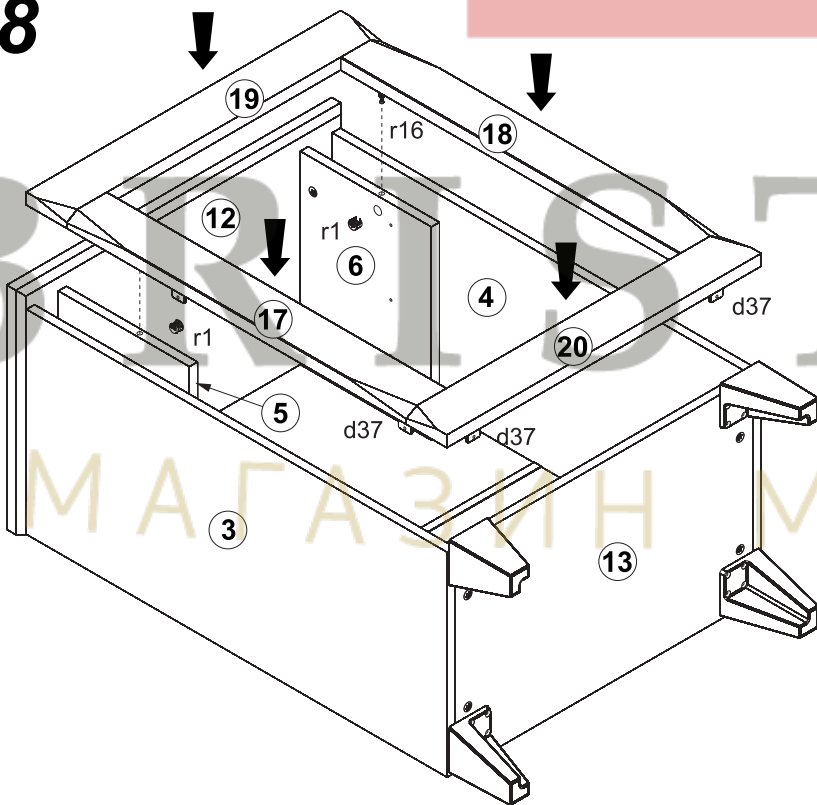
6



7

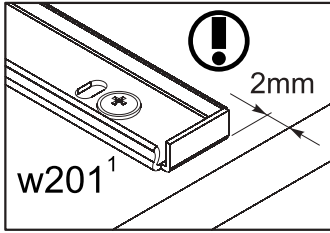
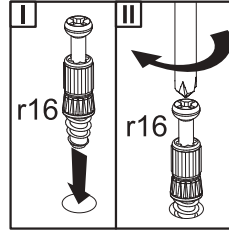
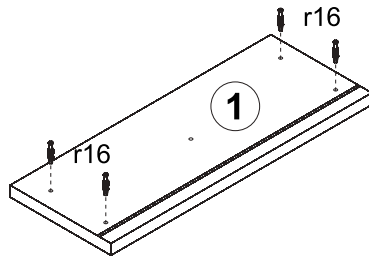


8

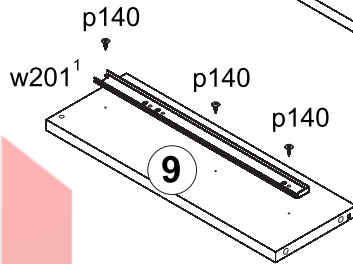
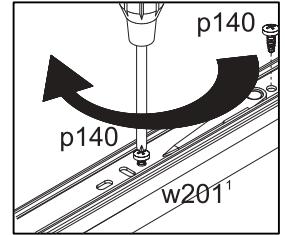
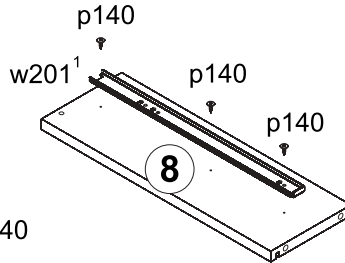


9

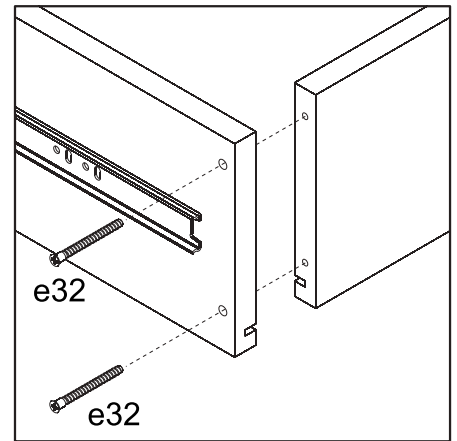
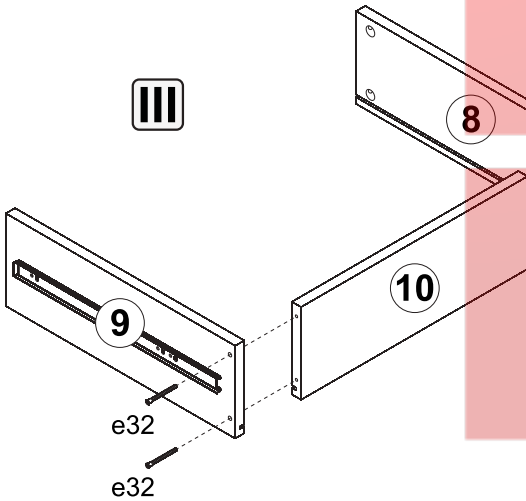
I



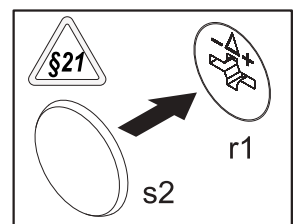
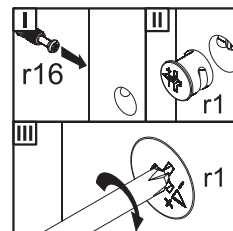
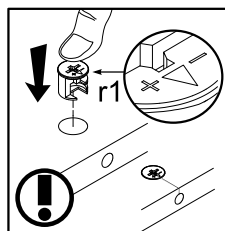
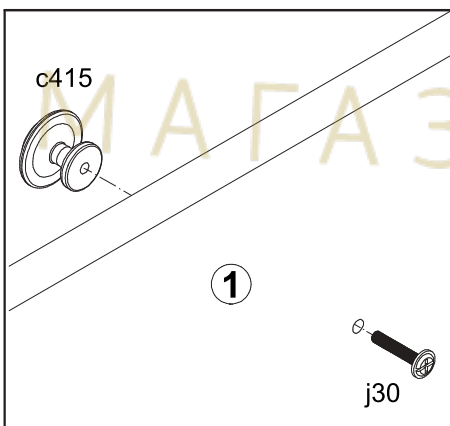
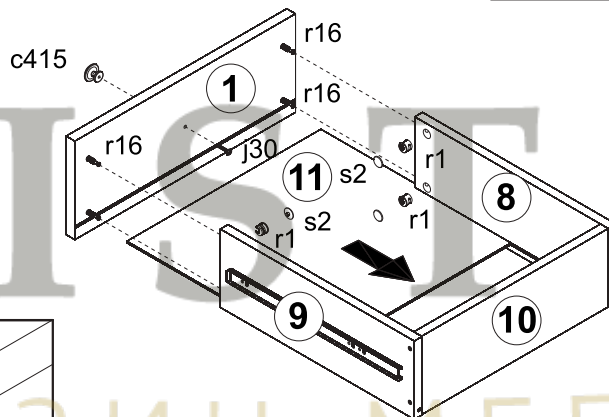
II



III

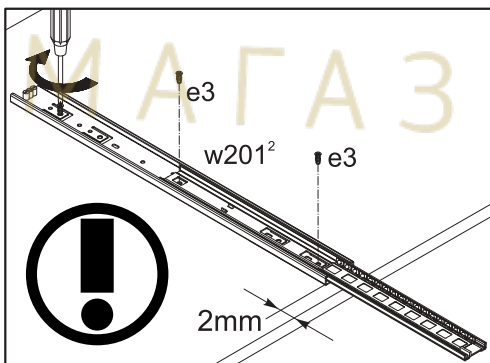
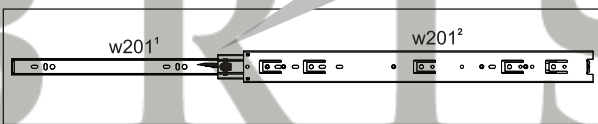
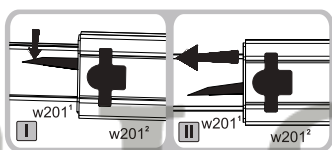
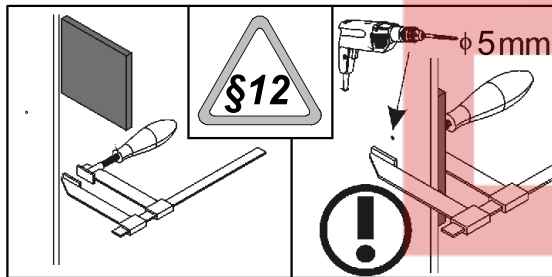
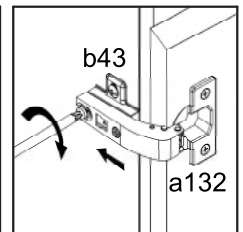
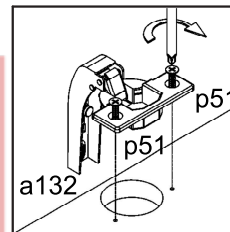
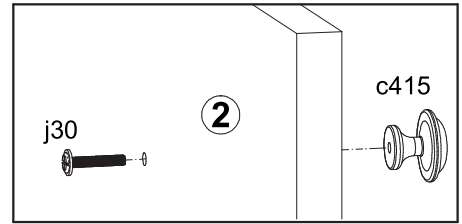
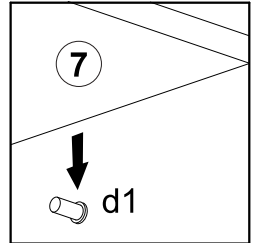
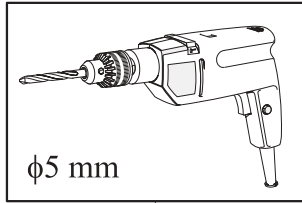
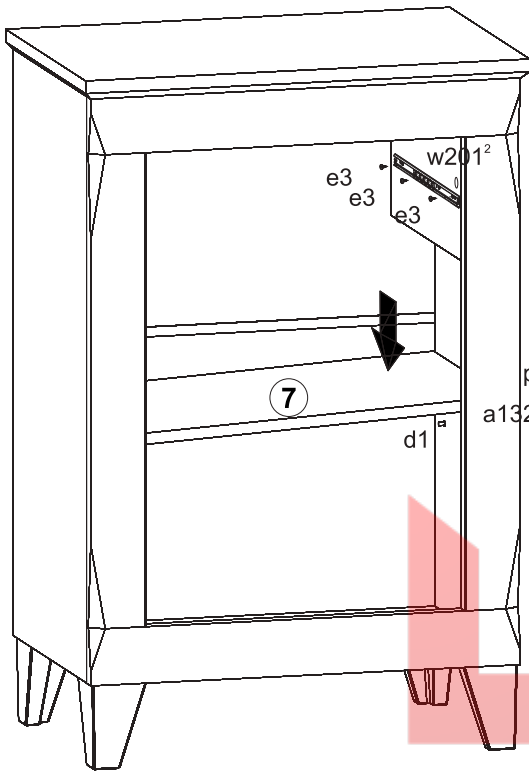
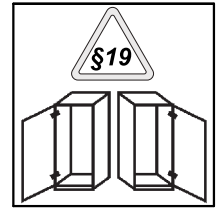


IV

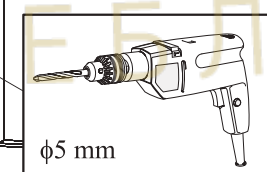
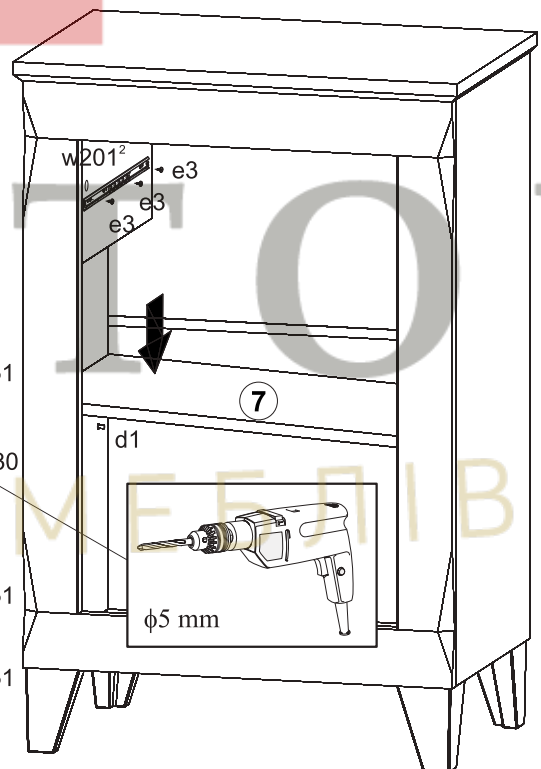


10

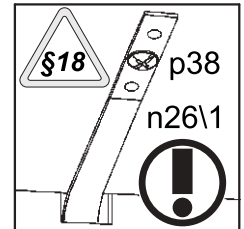
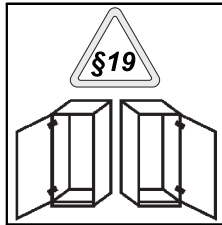
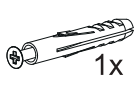
P



L

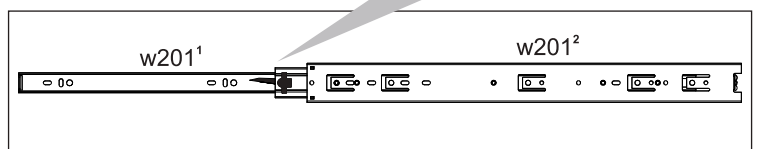
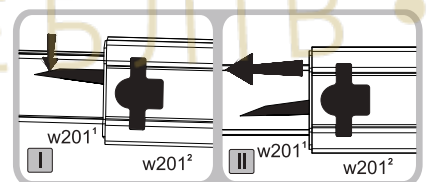
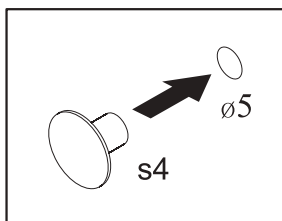
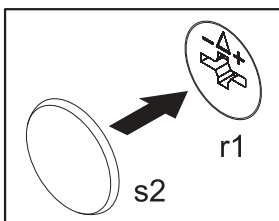
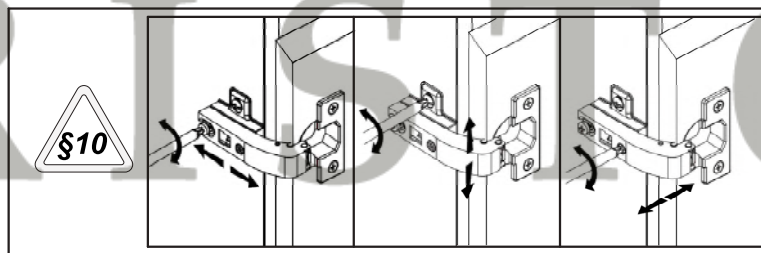
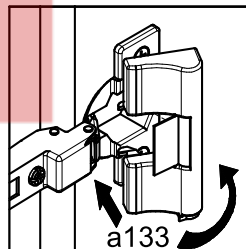
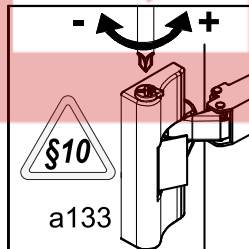
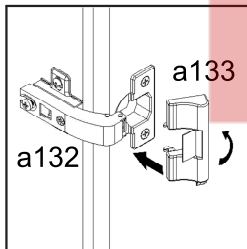
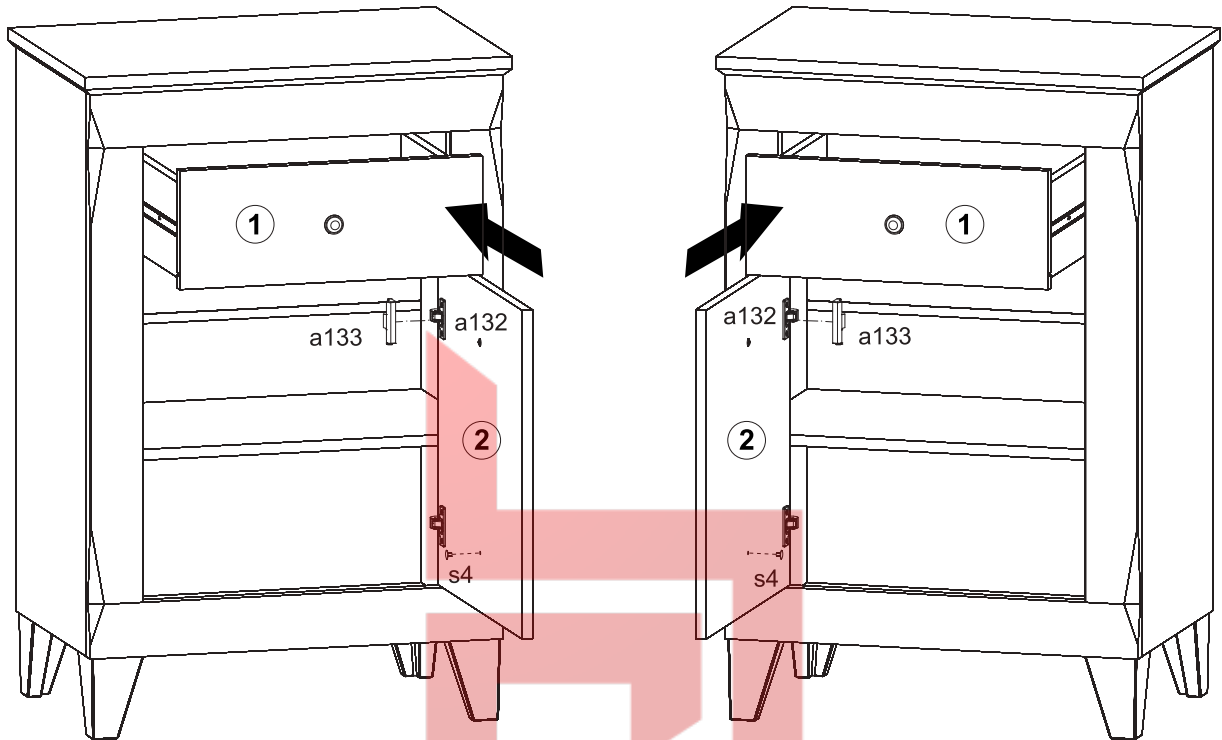


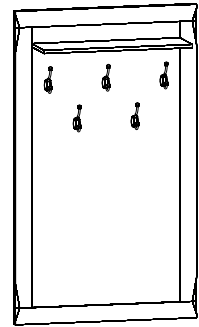
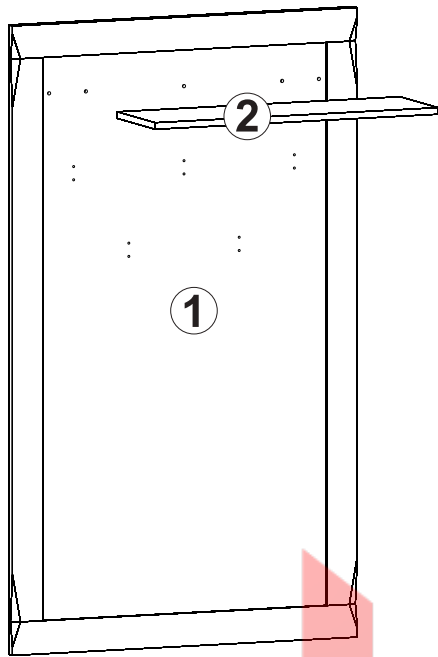
11



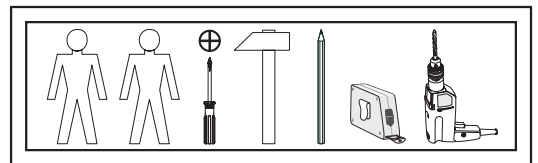
P


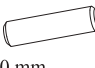


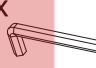
L



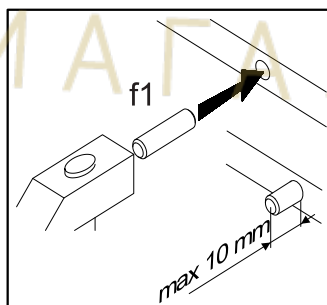
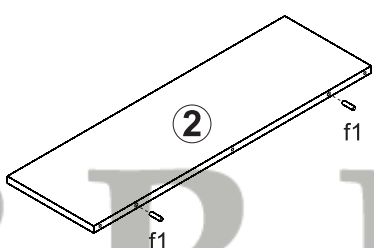


A	B	C	D
1	S359-405	1520	900
2	S359-301	738	230

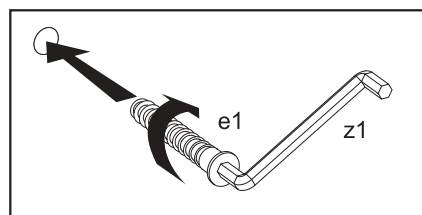
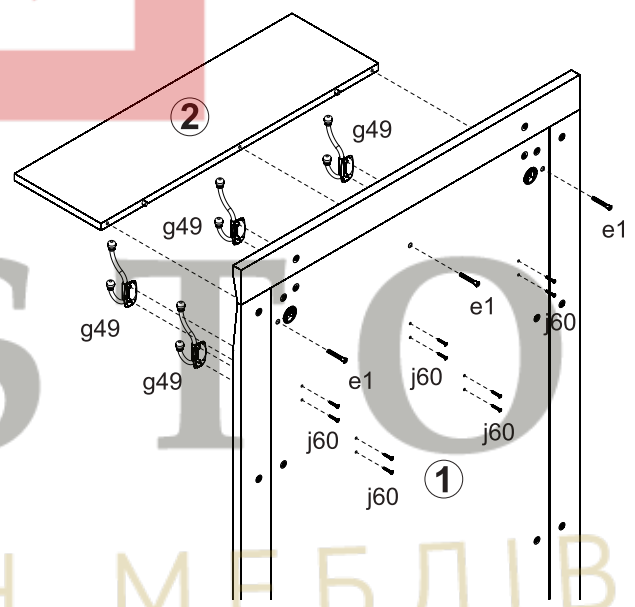


- 3x

φ7x50 mm **e1**
- 2x

φ8x30 mm **f1**
- 5x

g49
- 10x

M4x22 mm **j60**
- 1x

z1

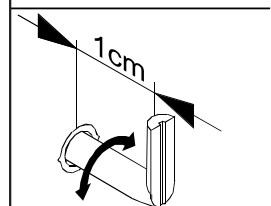
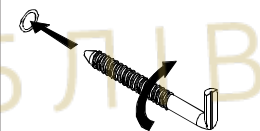
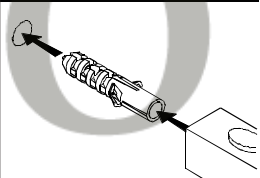
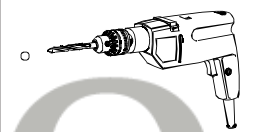
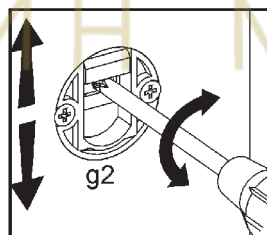
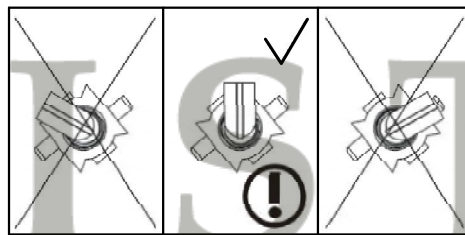
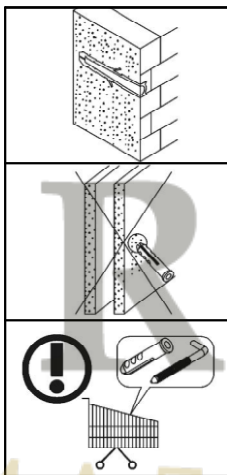
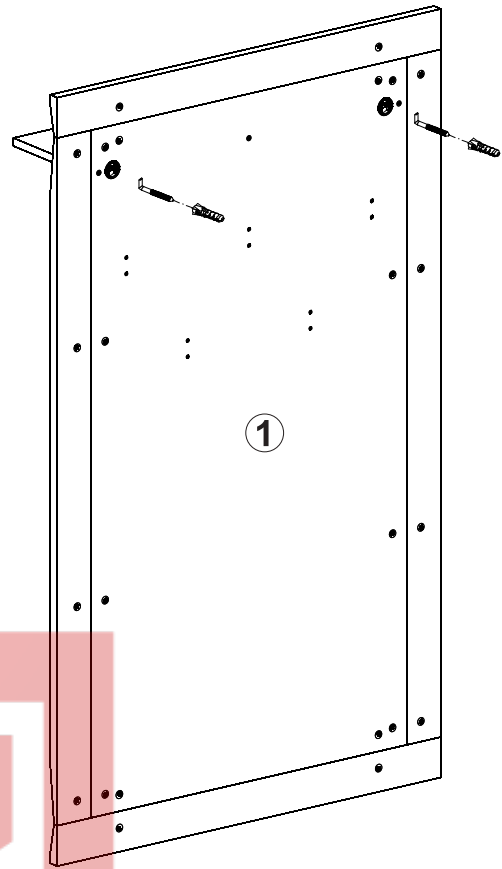
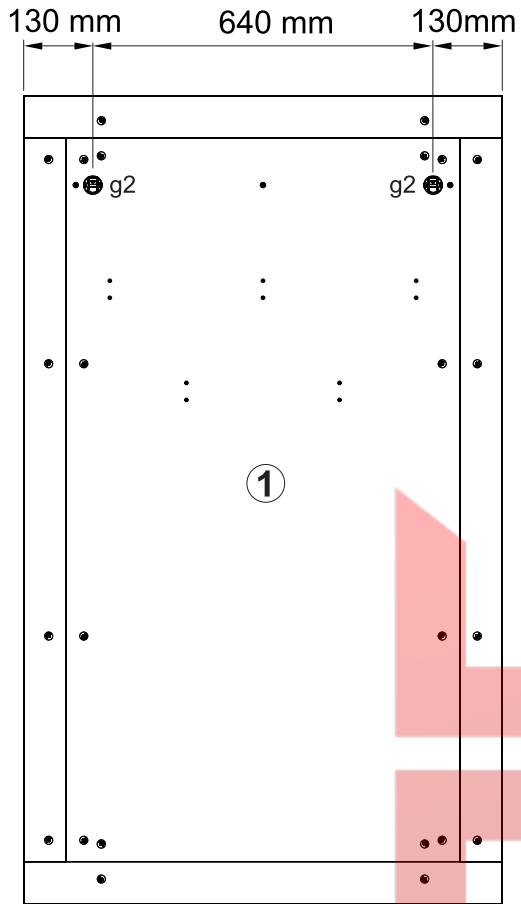
1



2



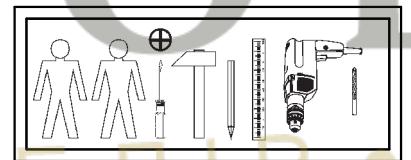
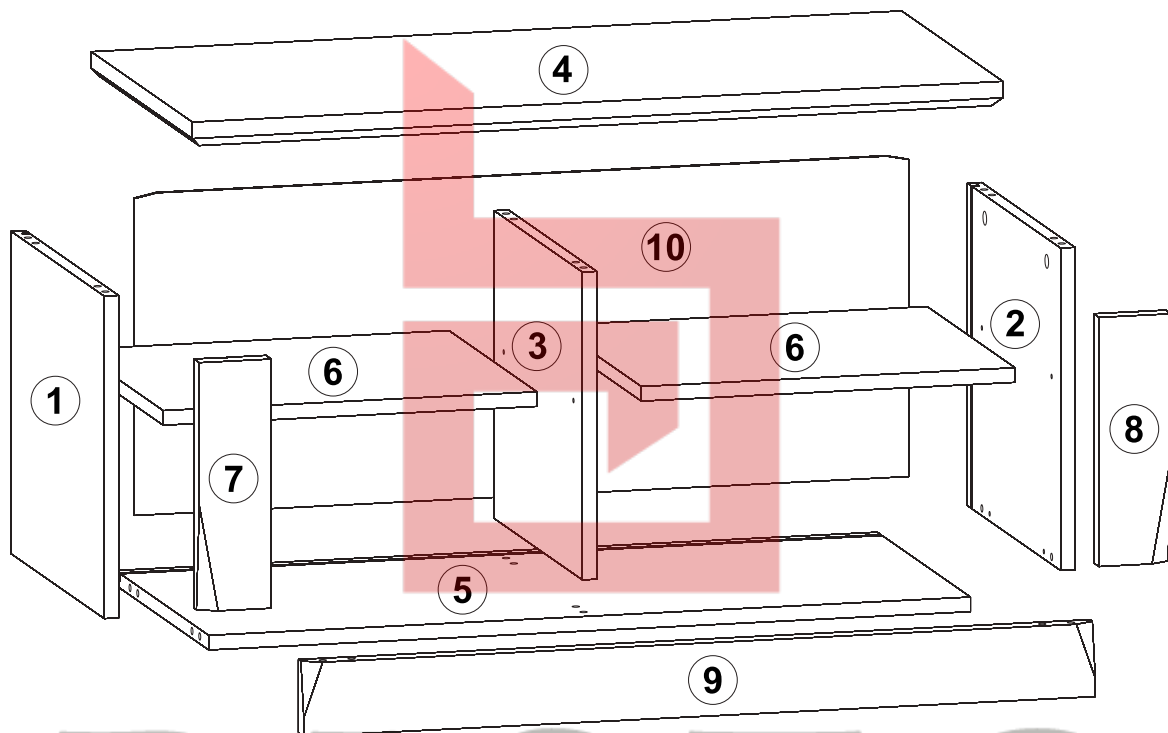
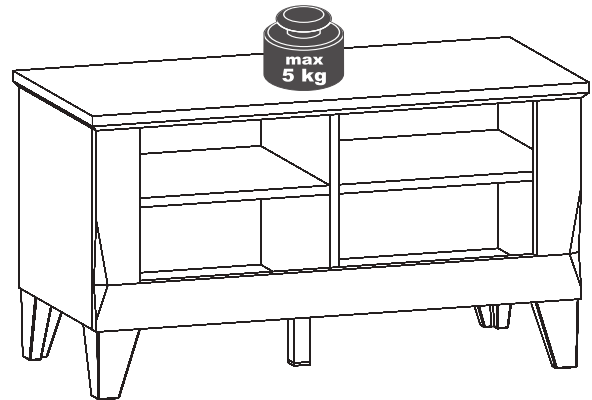
3



Граф / Graf

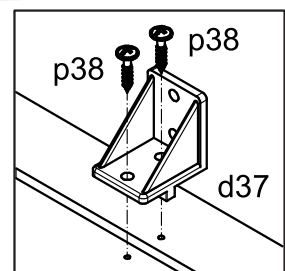
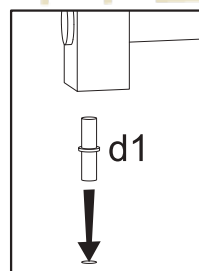
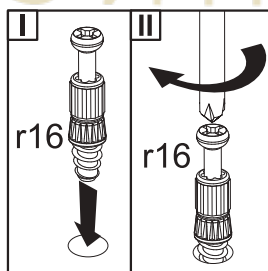
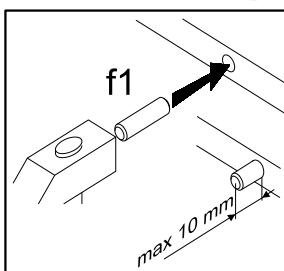
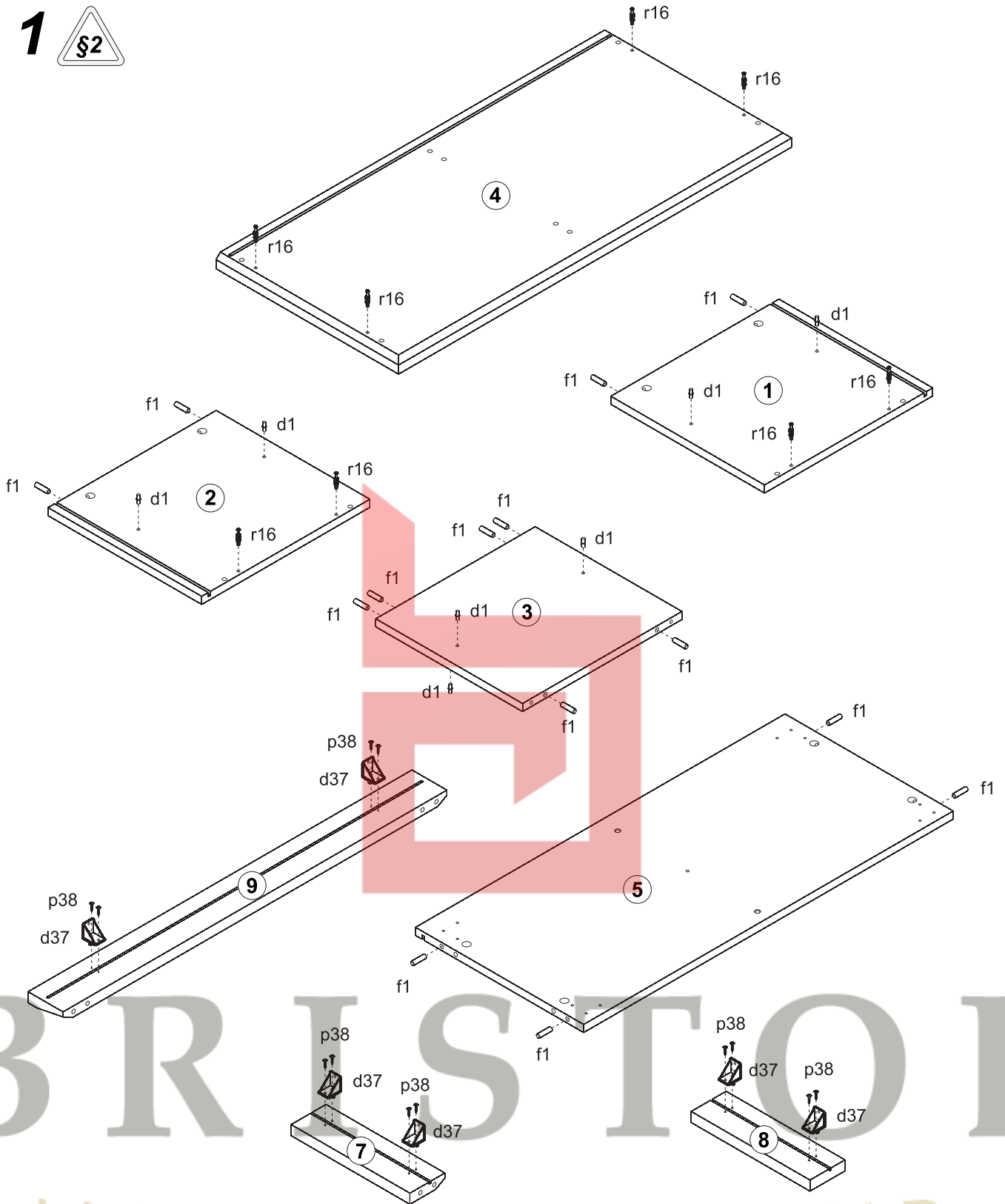
Тумба SFK_90

A	B	C	D	
1	S359-103	352	385	1/1
2	S359-104	352	385	1/1
3	S359-105	336	365	1/1
4	S359-205	900	418	1/1
5	S359-302	846	385	1/1
6	S359-303	415	363	1/1
7	S359-5056	272	80	1/1
8	S359-5057	272	80	1/1
9	S359-5058	879	80	1/1
10	S359-913	351	860	1/1

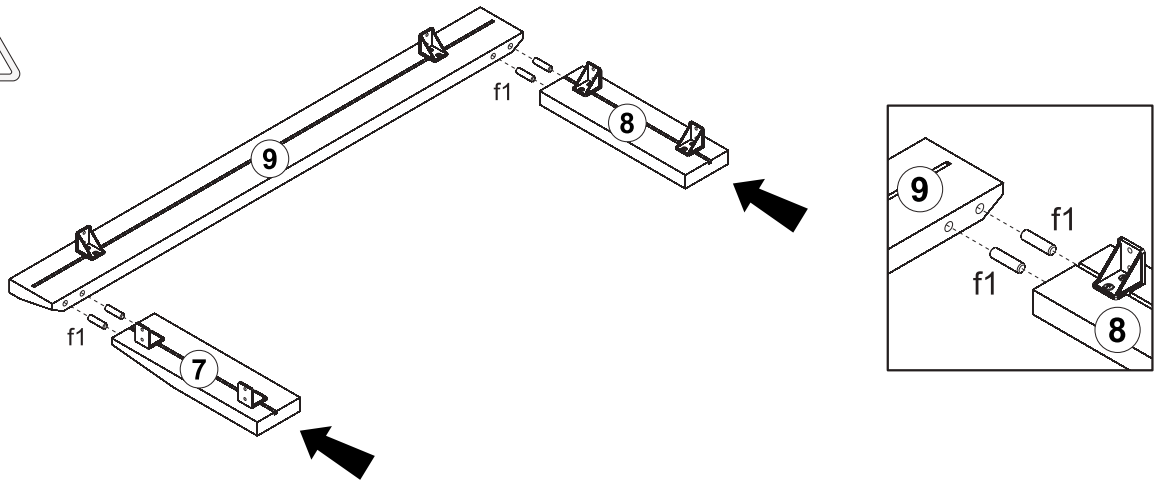


8x φ5x17 mm d1	6x d37	2x φ7x50 mm e1	1x φ6,3x13 mm e2	12x φ5x18 mm e58	18x φ8x30 mm f1	4x k125
1x 42,5x42,5x4 mm k38\3	1x 30x30x108 mm k38\7	5x l1	6x l2	28x φ3,5x16 mm p38	8x φ15x12 mm #16 r1	8x 20/9 r16
4x ø16 s2	1x z1					

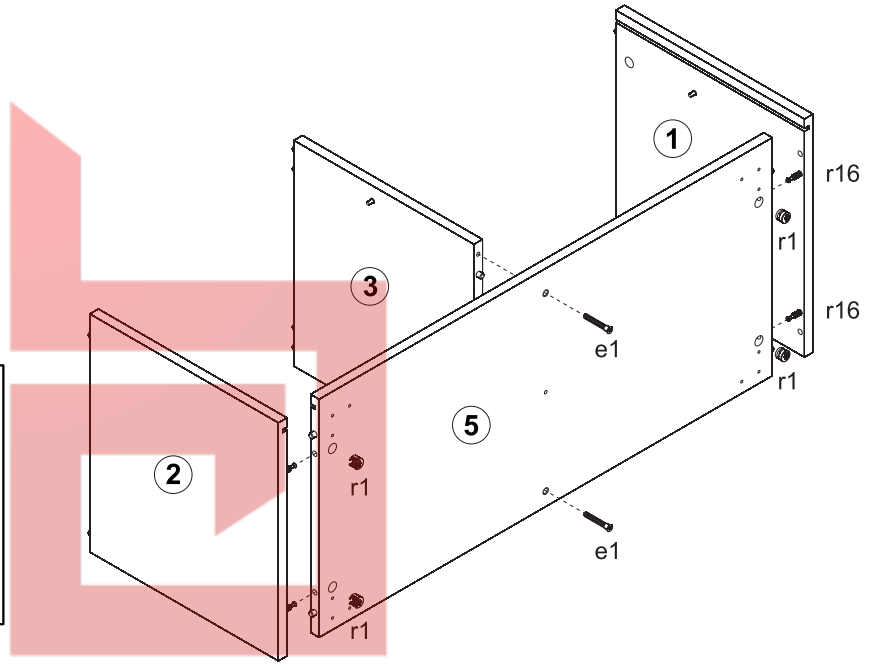
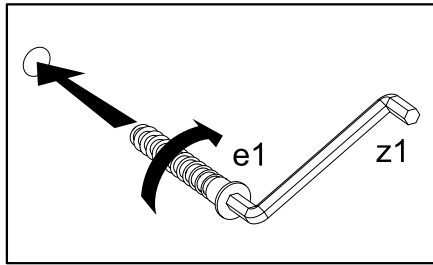
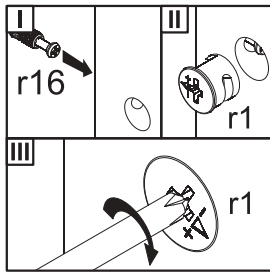
1



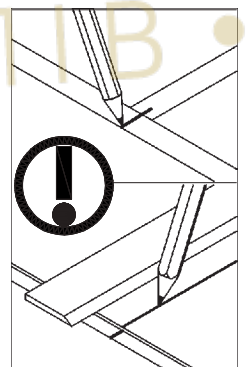
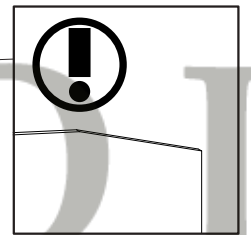
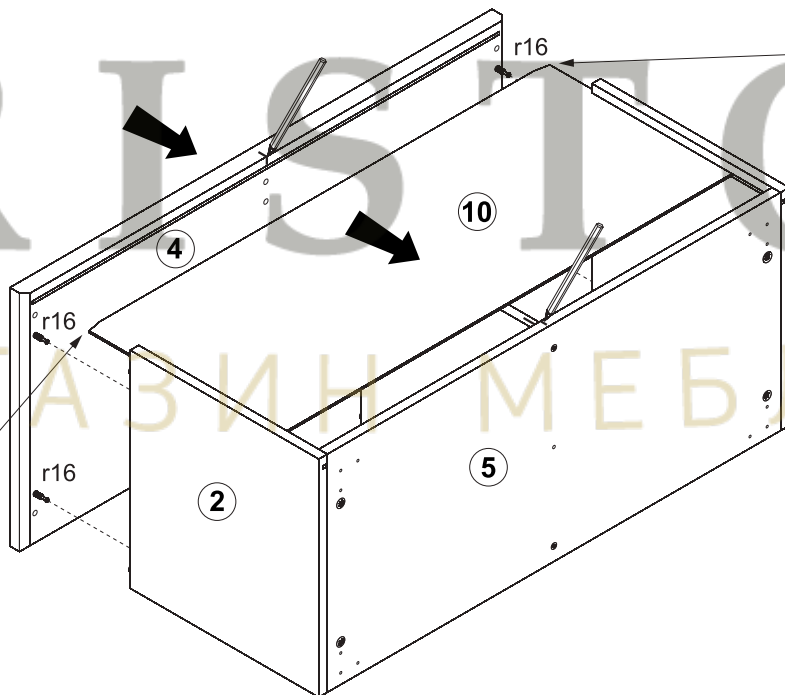
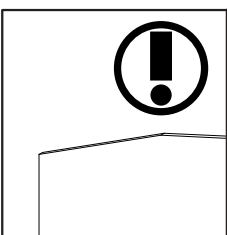
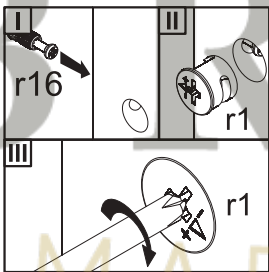
2



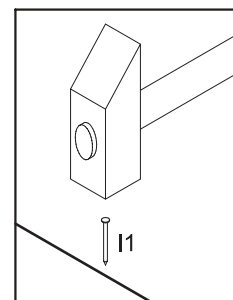
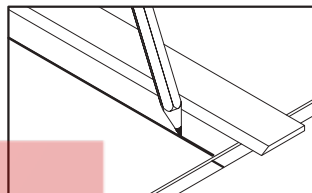
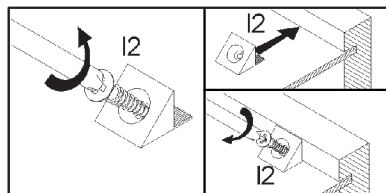
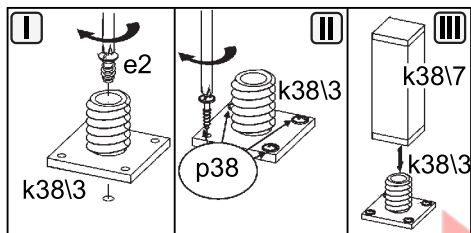
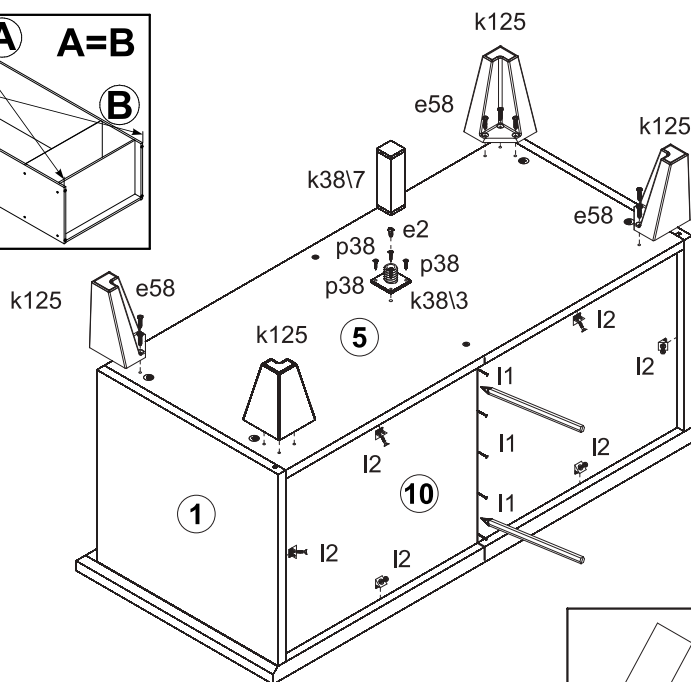
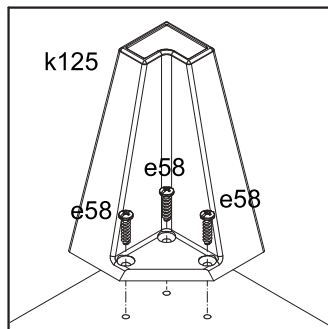
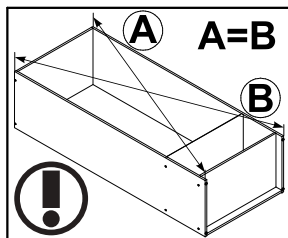
3



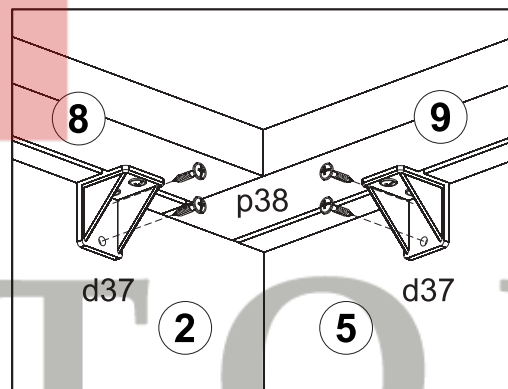
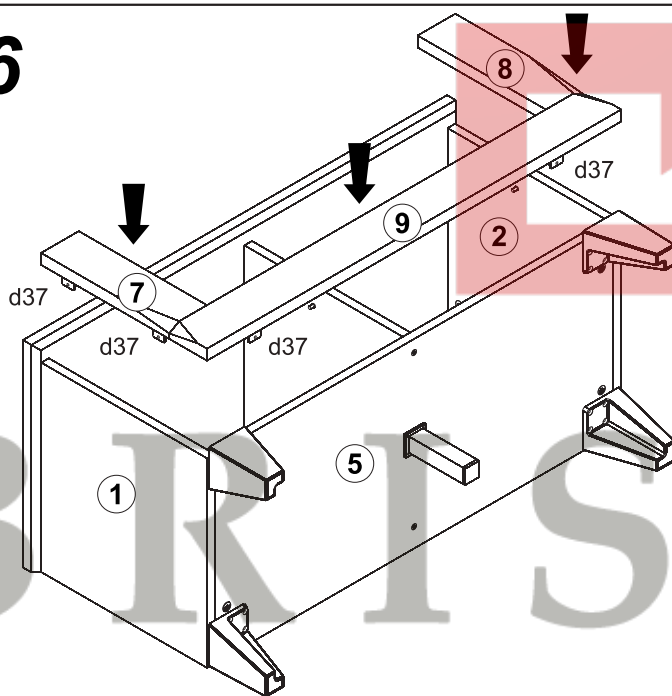
4



5



6



7

