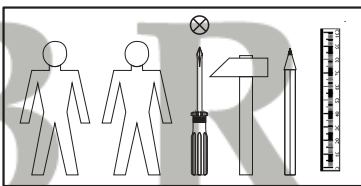
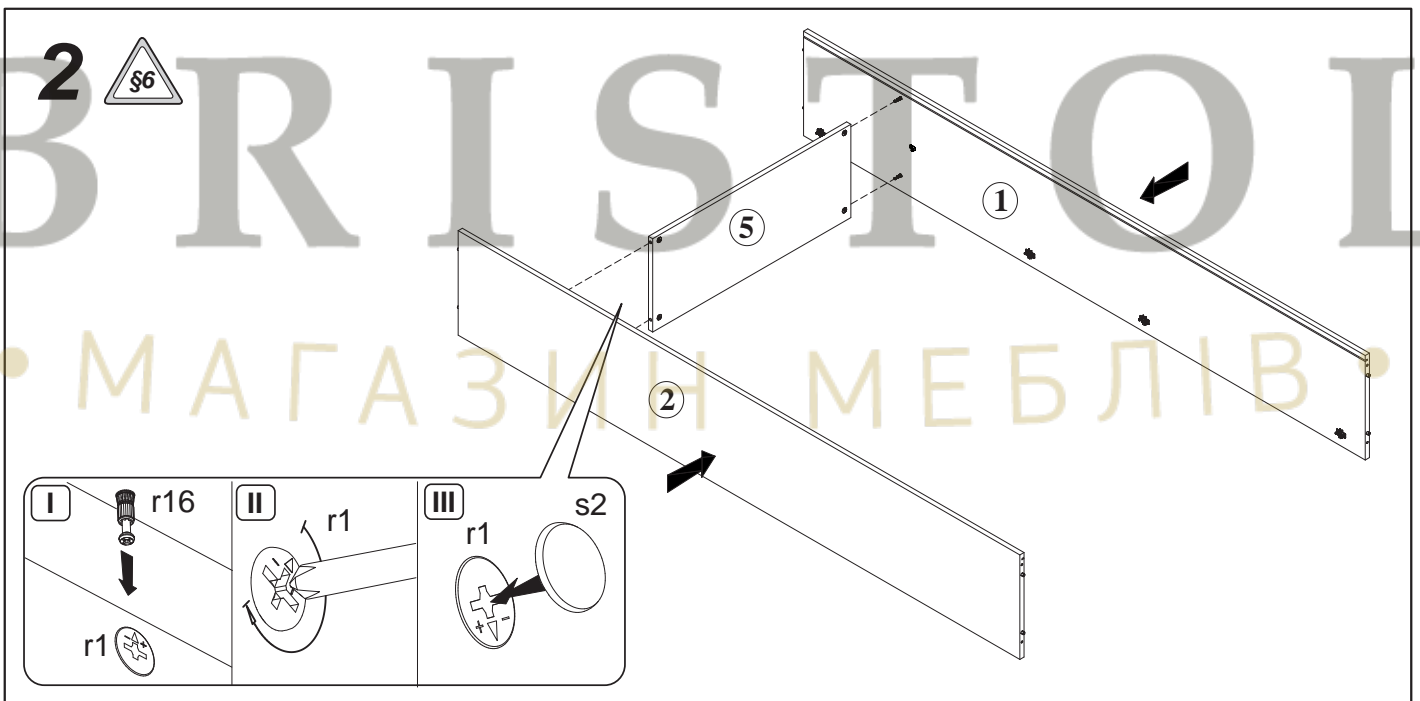
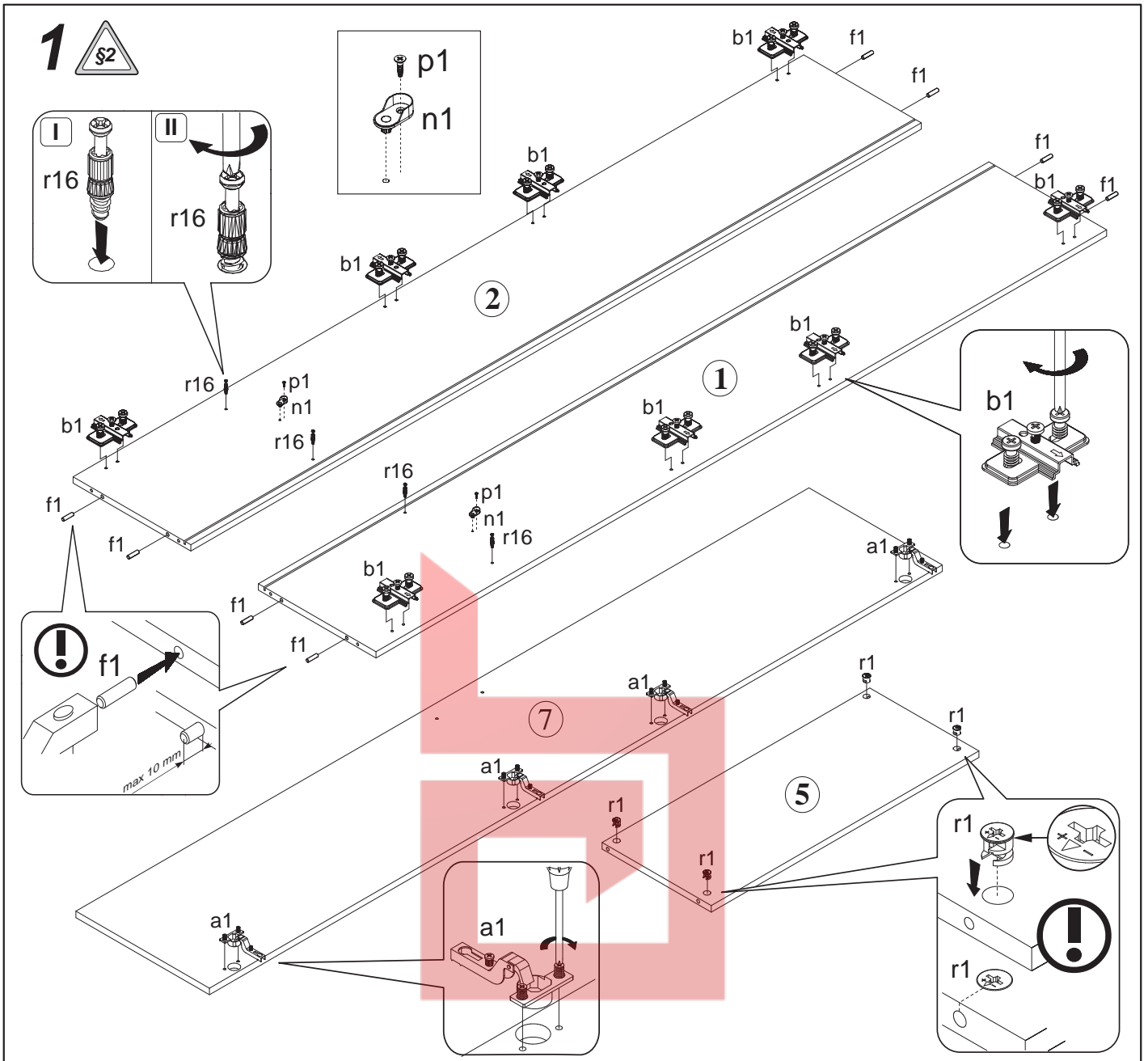
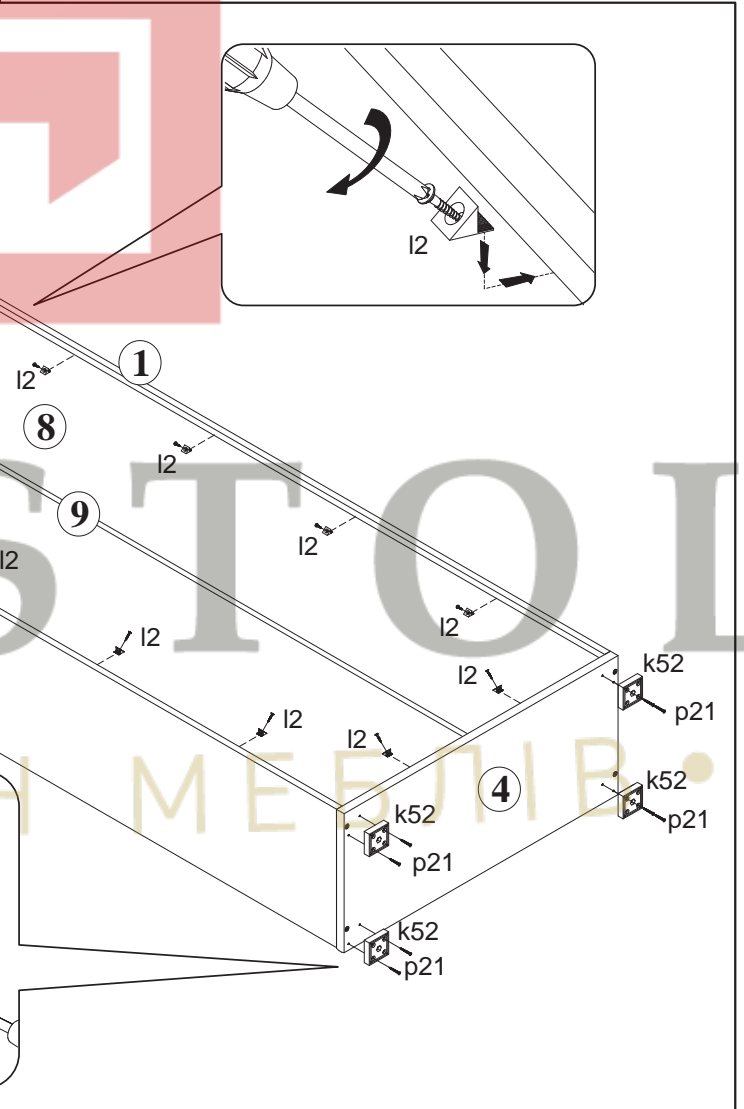
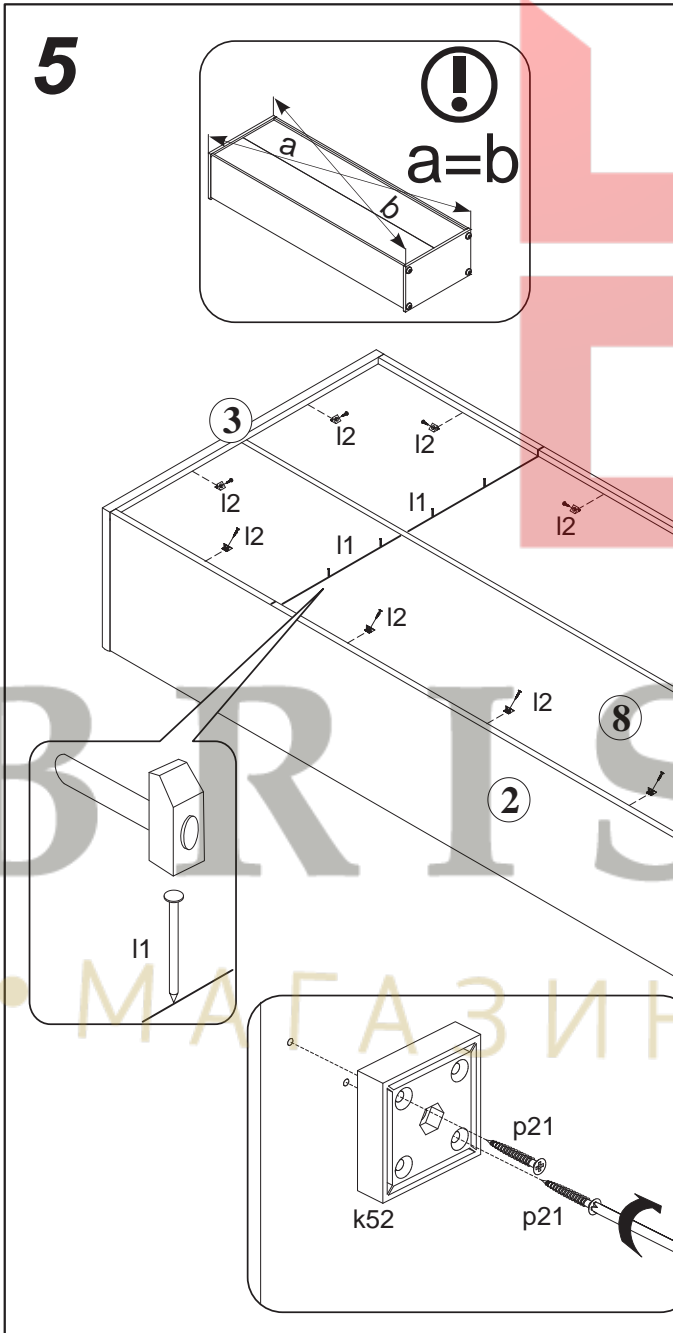
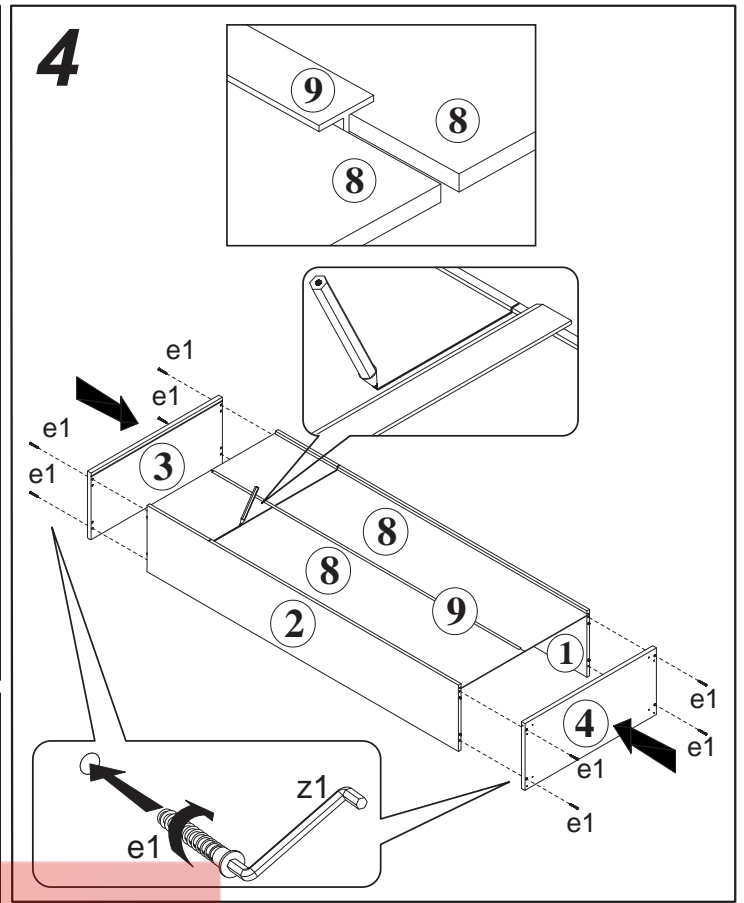
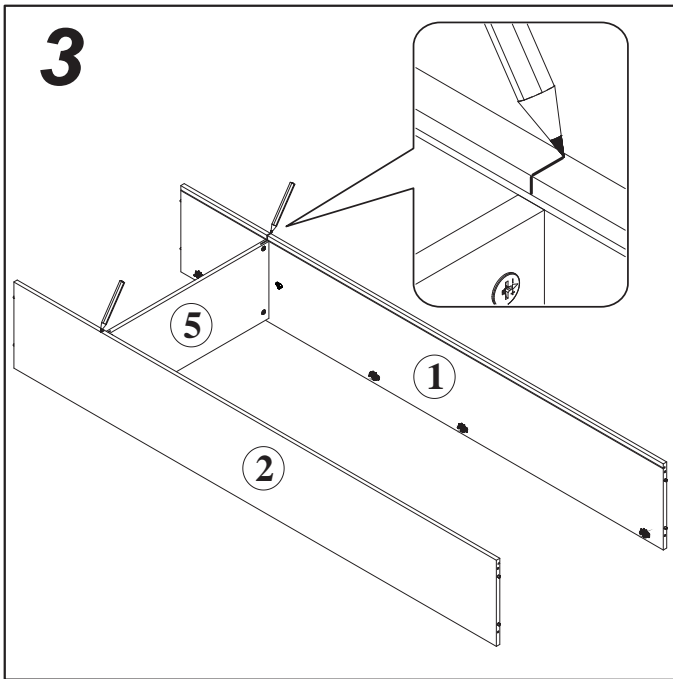


A	B	C	D
1	S171-118-01	2148x541	1/2
2	S171-119-01	2148x541	1/2
3	S171-220	791x545	1/2
4	S171-220	791x545	1/2
5	S171-306-01	758x502	1/2
6	DR-753	753	1/2
7	S171-007	2142x376	2/2
8	S171-901	2162x385	2/2
9	LH-2147	2147x14	2/2

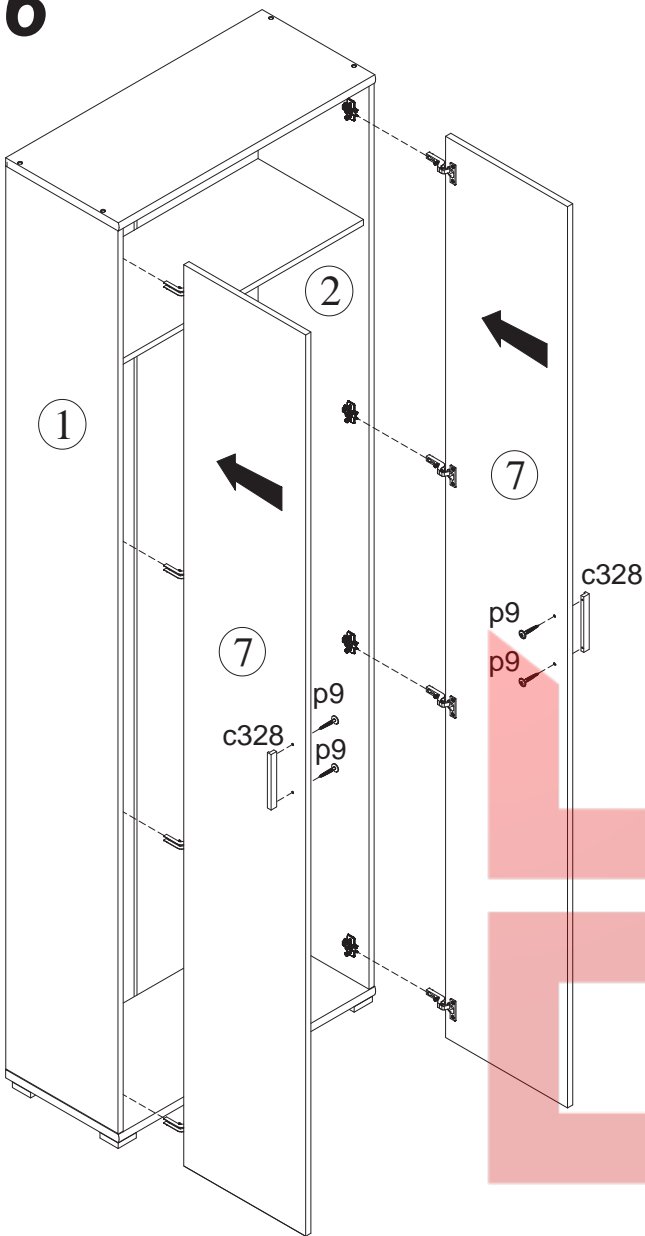


8x K16 a1	8x b1	2x c328	12x φ7x50 mm e1	12x φ8x30 mm f1	
4x 56x56\20 mm k52	5x l1	16x l2	2x n1	2x φ3,5x13 mm p1	
4x φ4x30 mm p9	8x φ4x30 mm p21	4x φ15x12mm #16 r1	4x 20/9 r16	4x φ16 s2	
1x z1					





6



7

