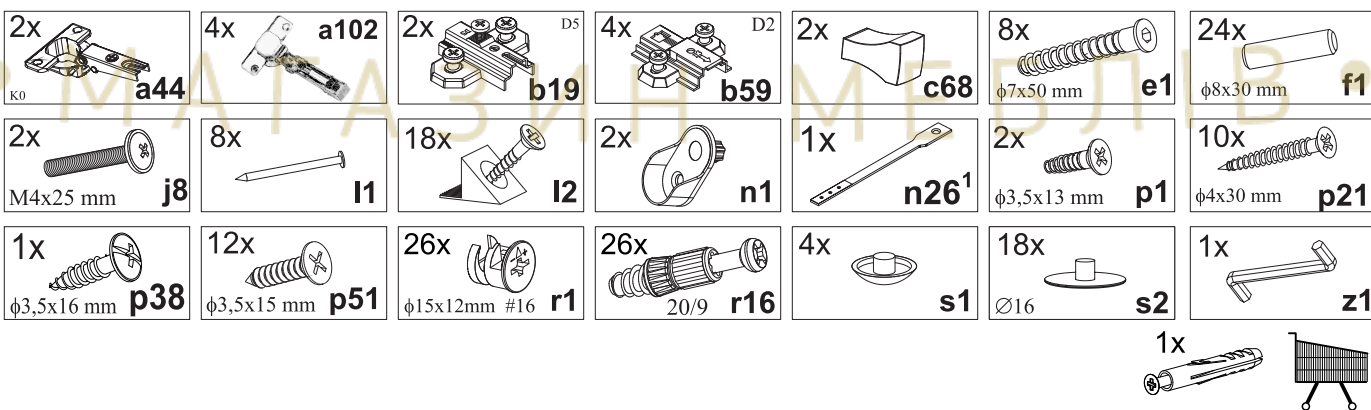
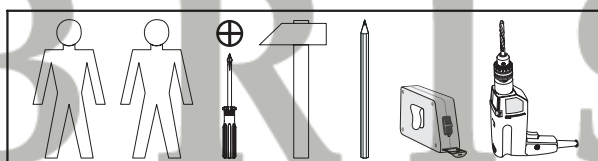
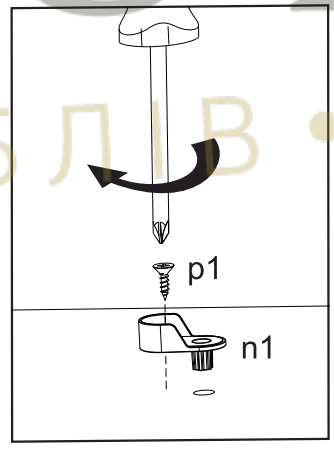
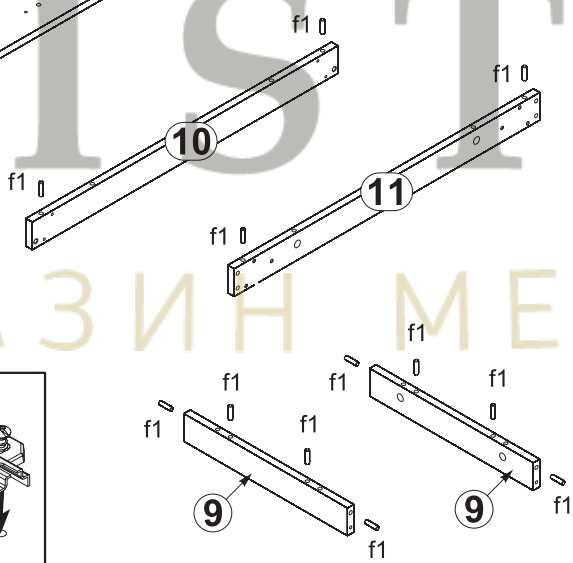
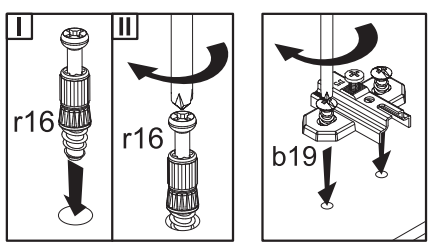
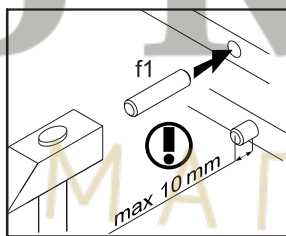
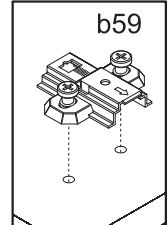
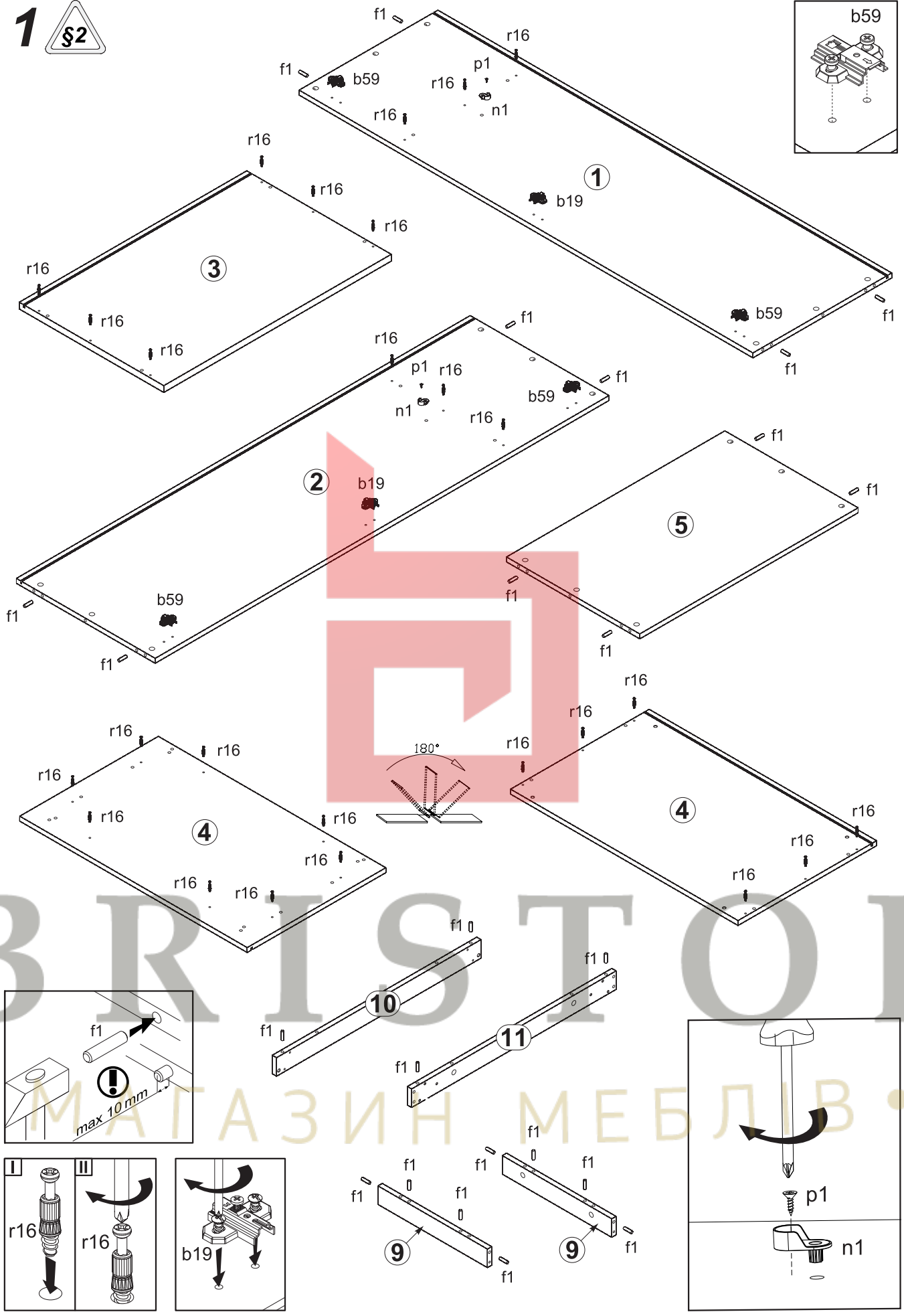


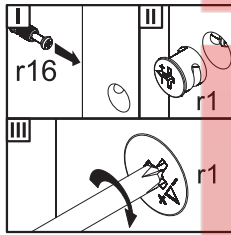
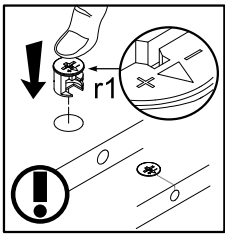
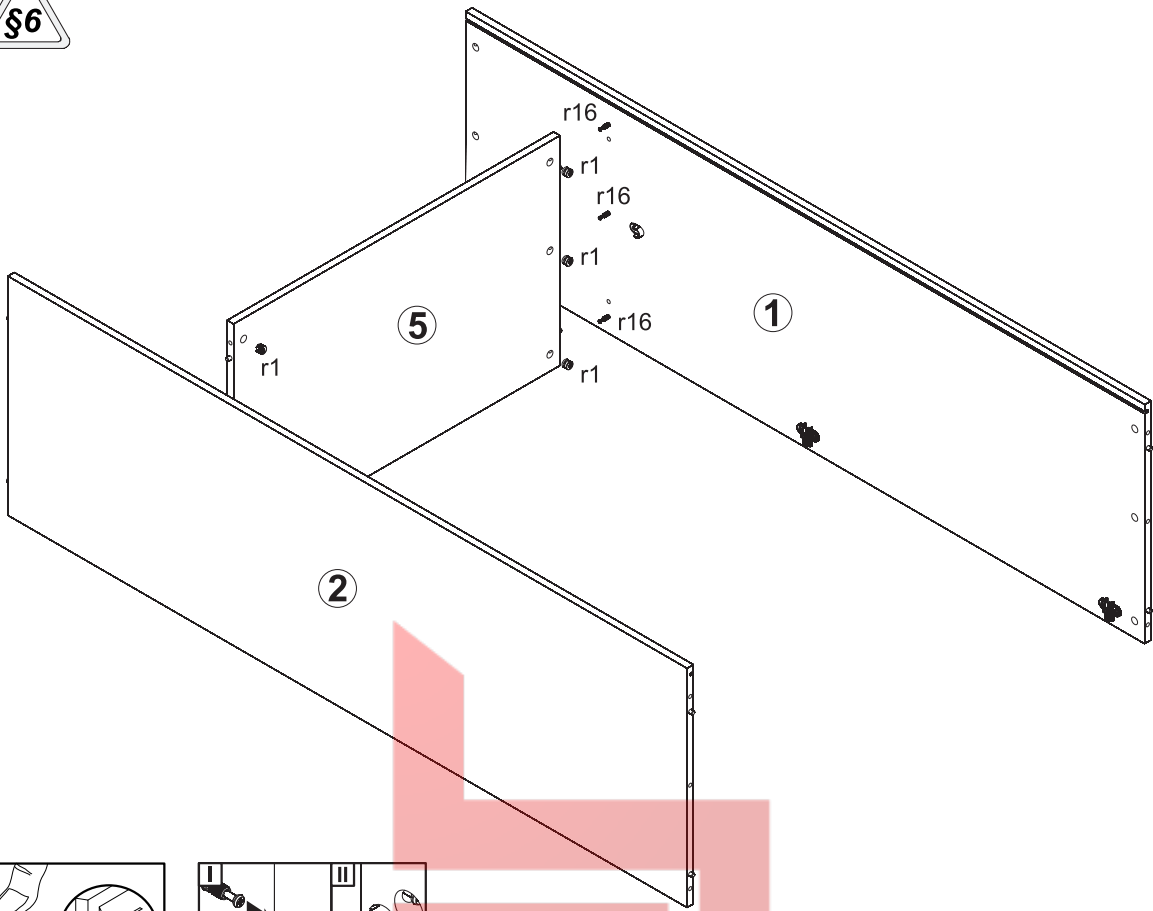
A	B	C	D	
1	TA1-115	1698	518	1/3
2	TA1-116	1698	518	1/3
3	TA1-211	850	540	2/3
4	TA1-213	850	518	2/3
5	TA1-310	816	498	2/3
6	TA1-912	1712	414	1/3
7	LH-1697	1697	14	1/3
8	DR-811	811		2/3
9	TA1-416	409	60	2/3
10	TA1-406	764	60	2/3
11	TA1-405	764	60	2/3
12	TA1-407	644	60	2/3
13	TA1-510	210	97	2/3
14	TA1-010	1710	420	3/3



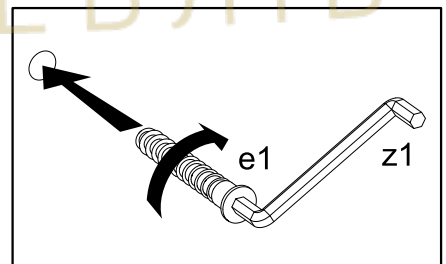
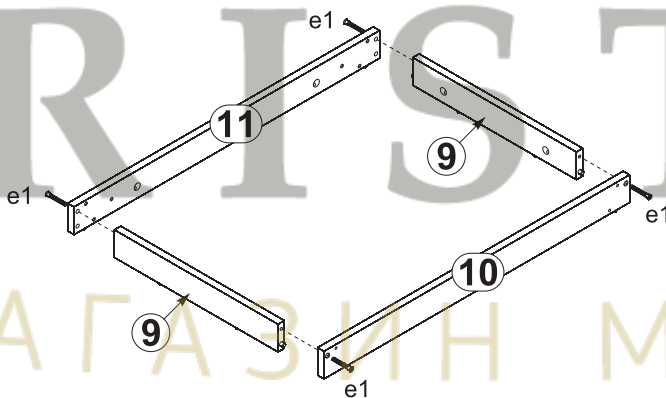
1 

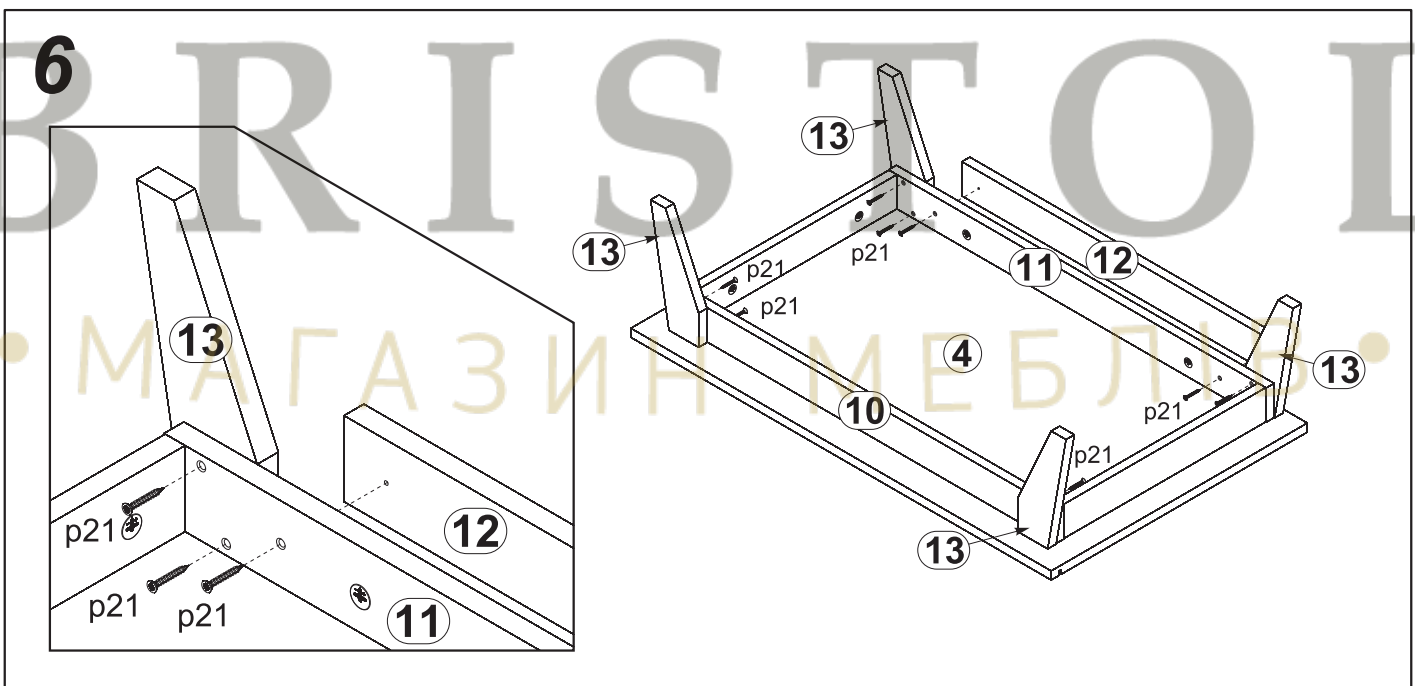
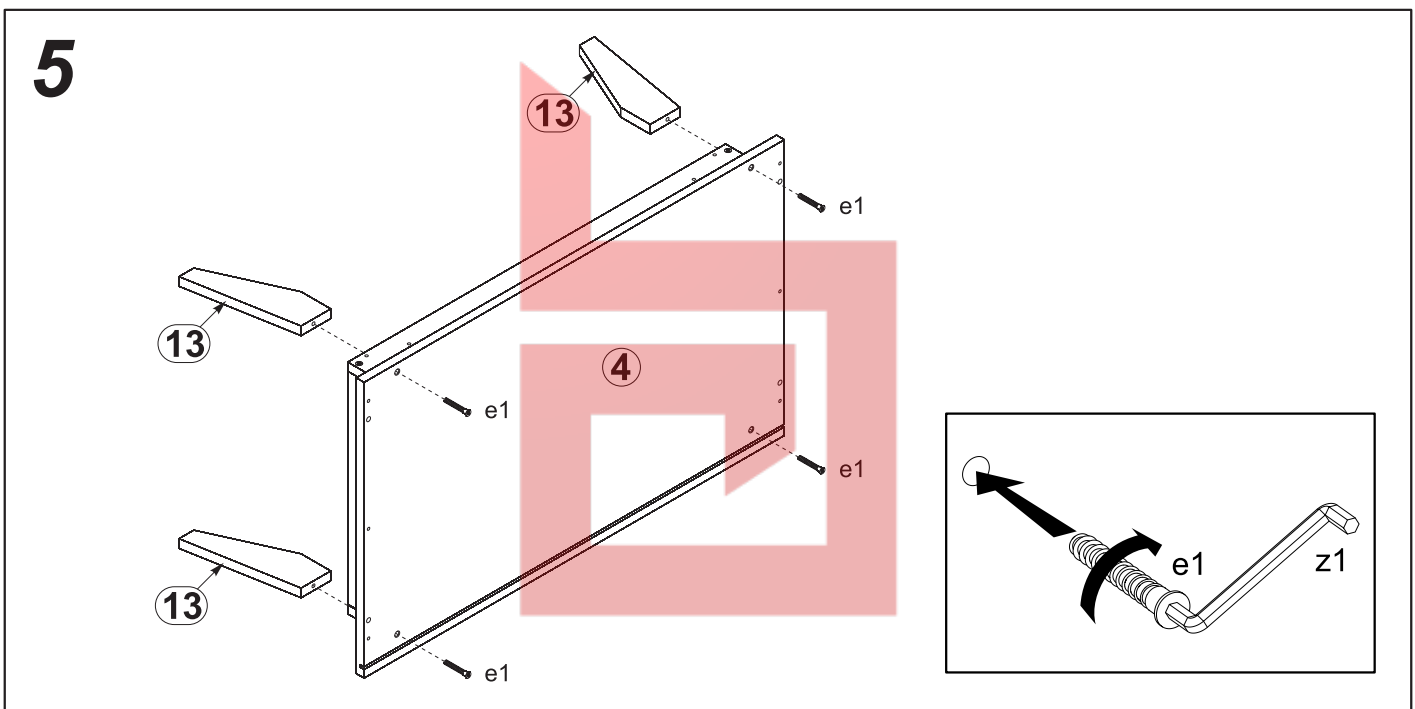
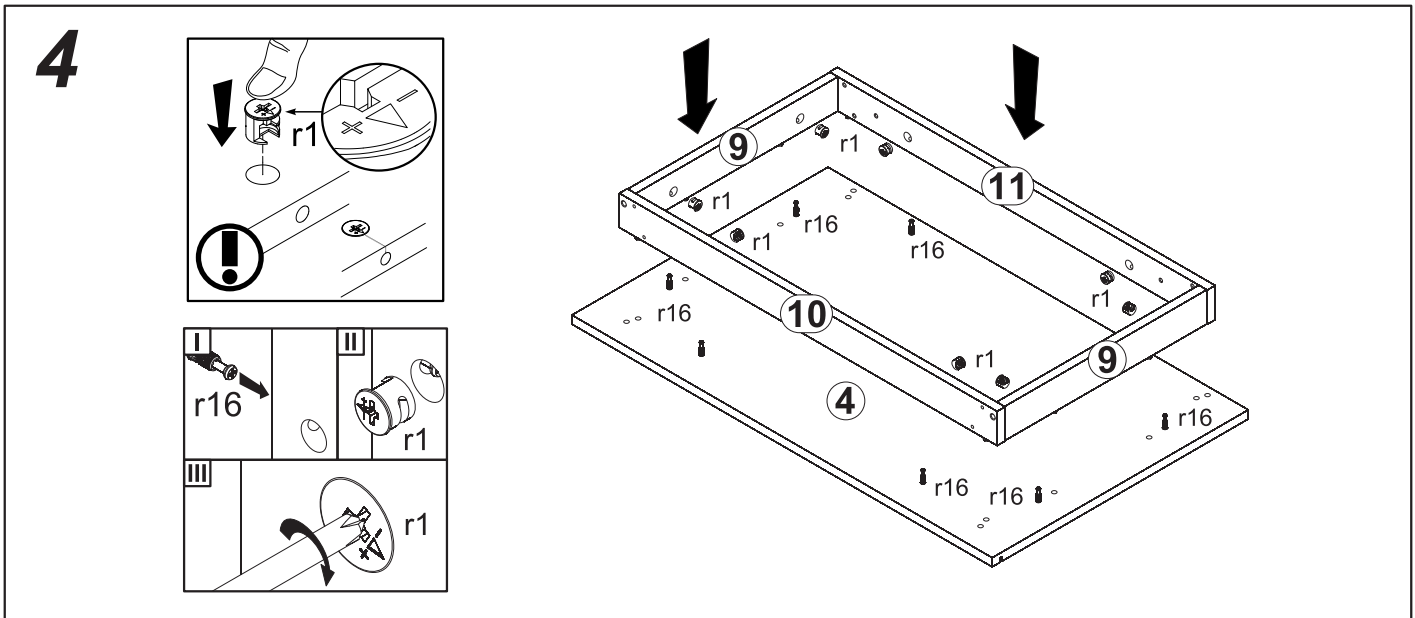


2

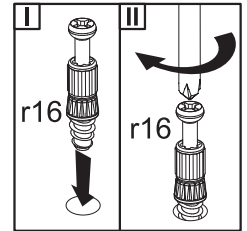
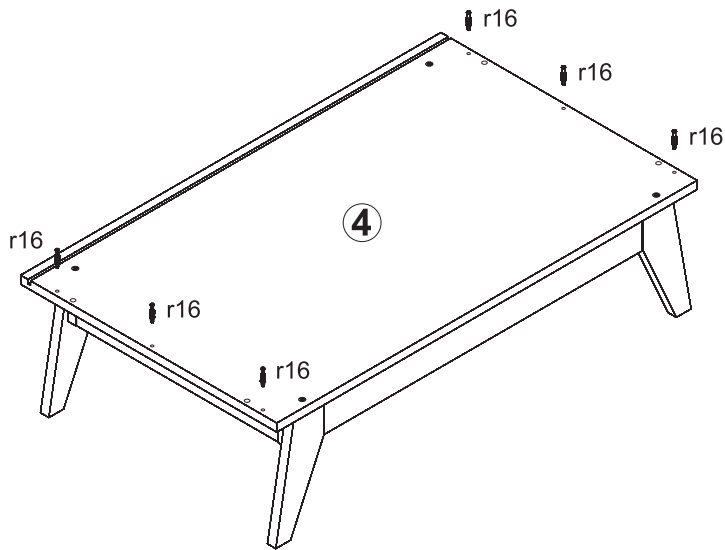


3

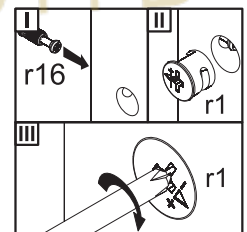
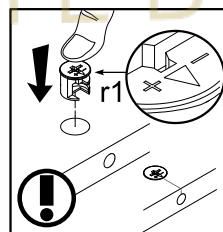
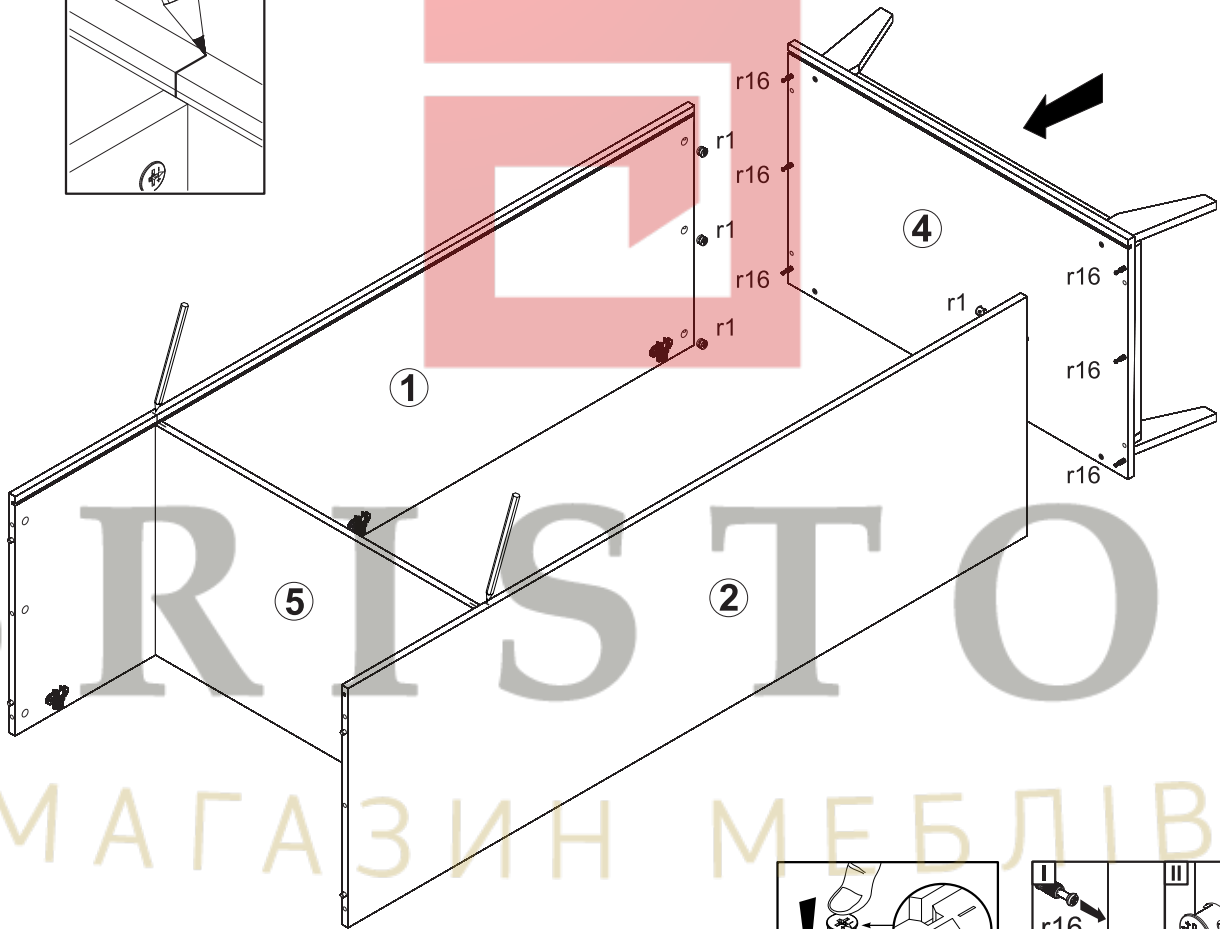
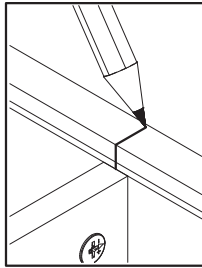


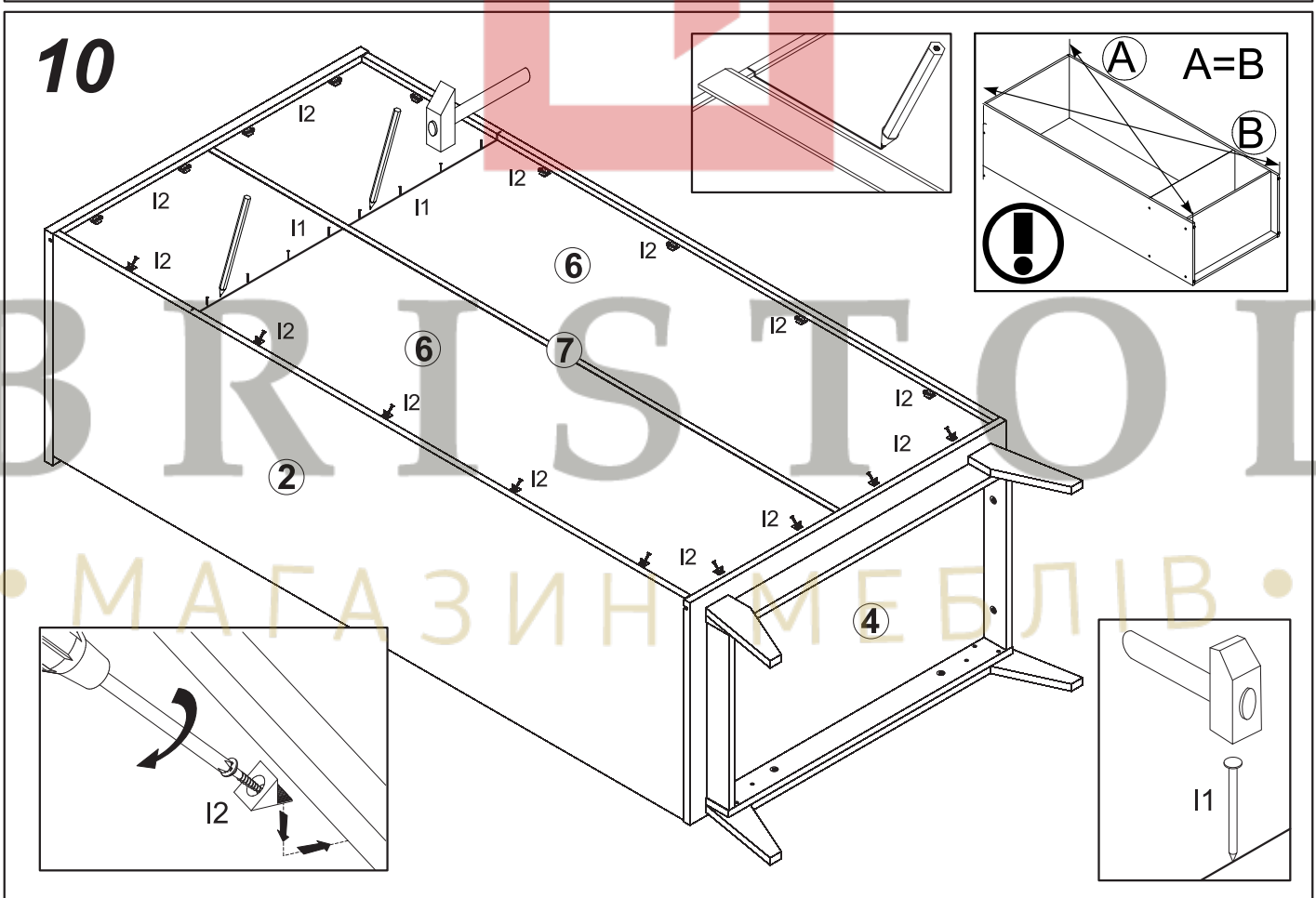
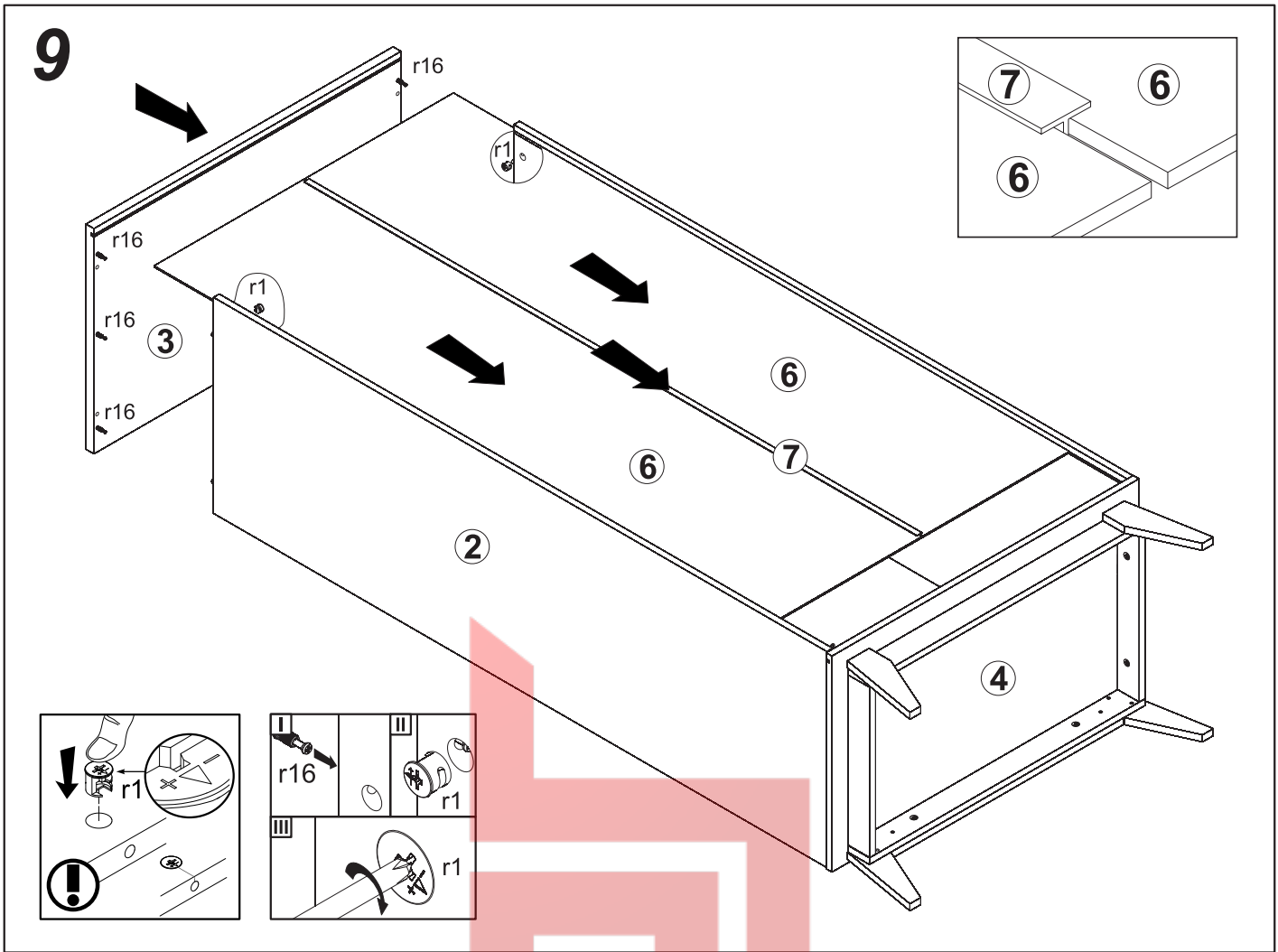


7

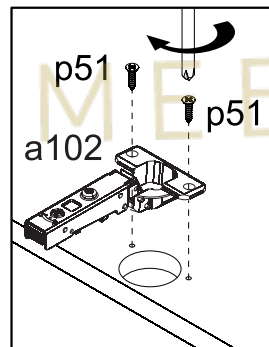
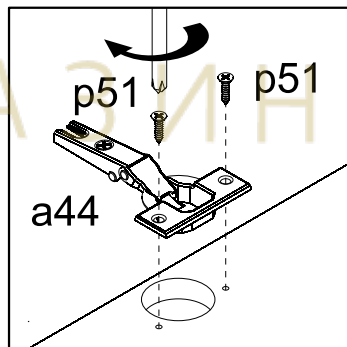
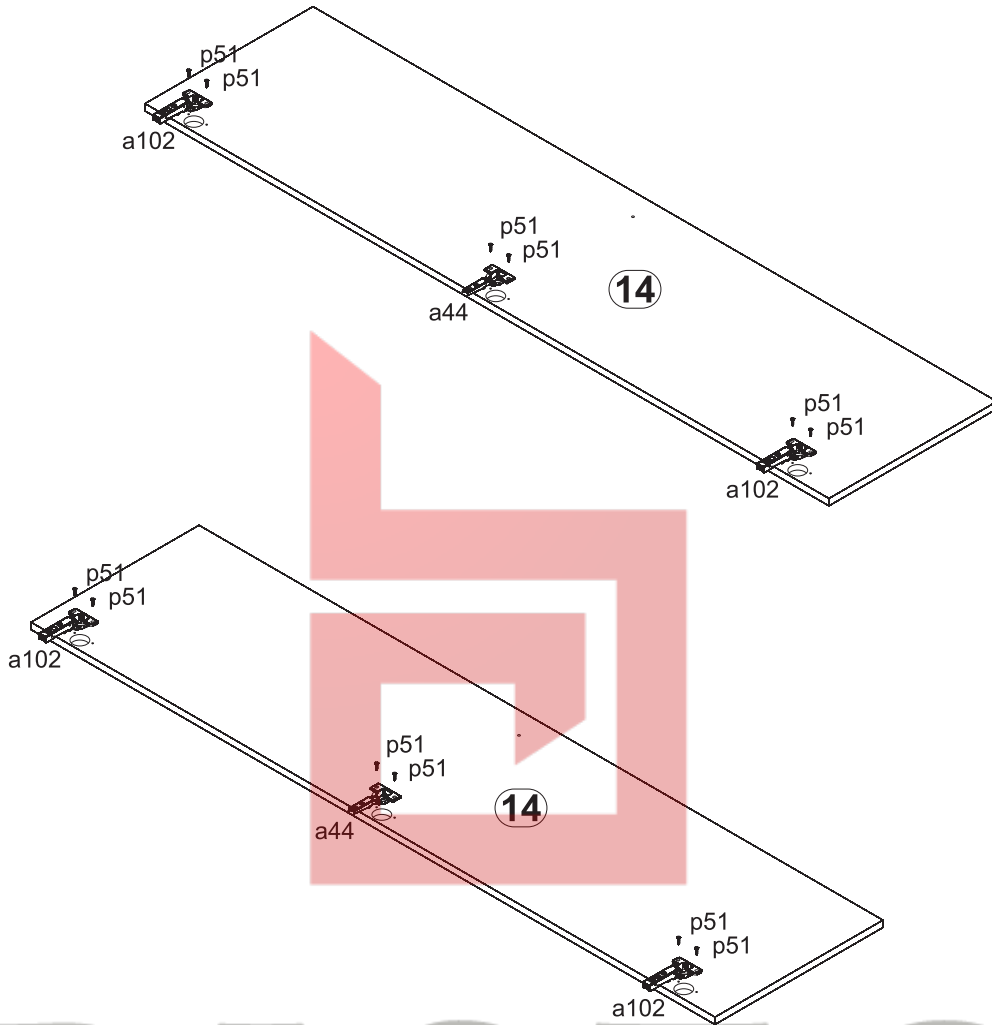


8





11



12

