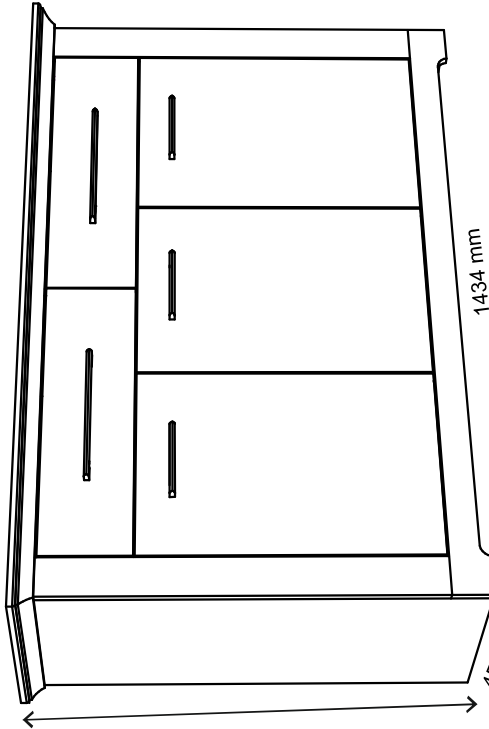
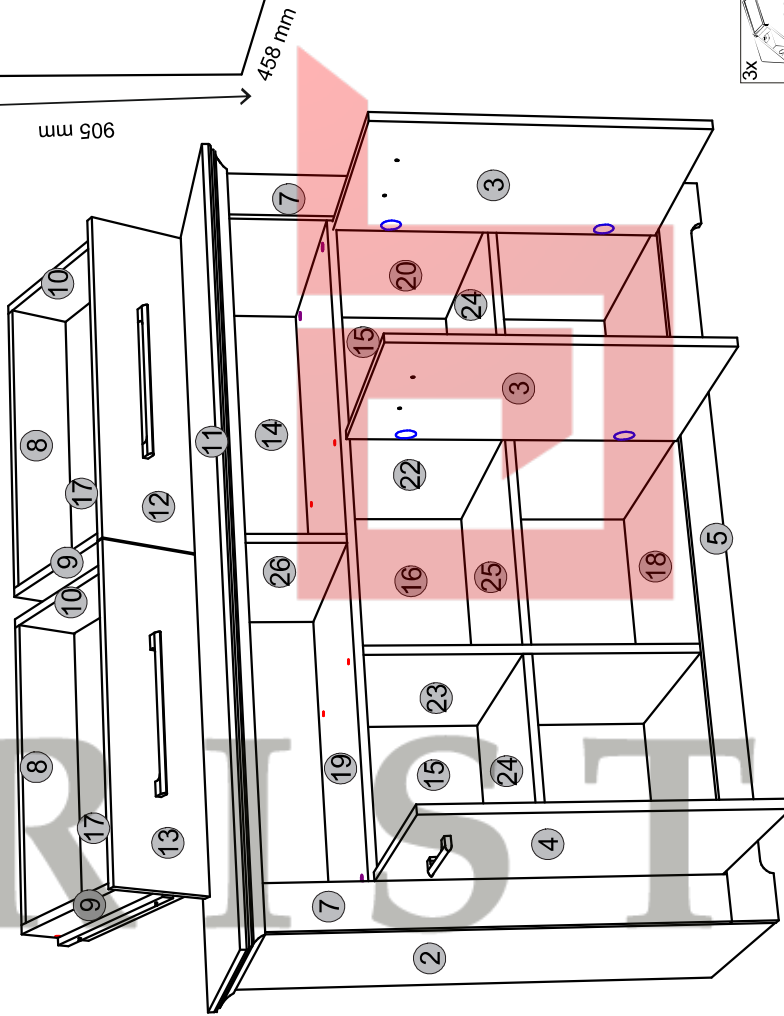
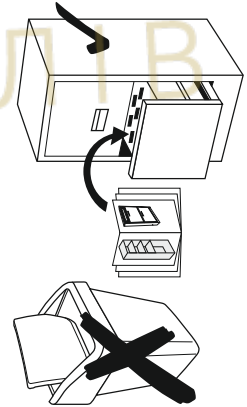
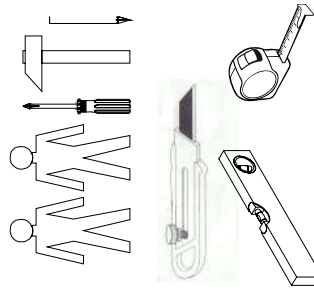
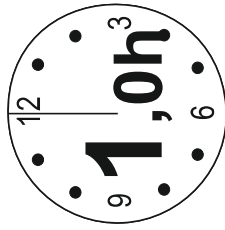
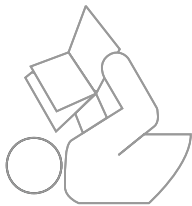


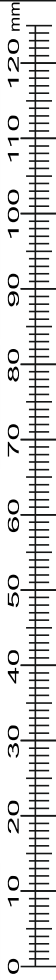
# Instalation manual

ARSAL: KOM 3D2S

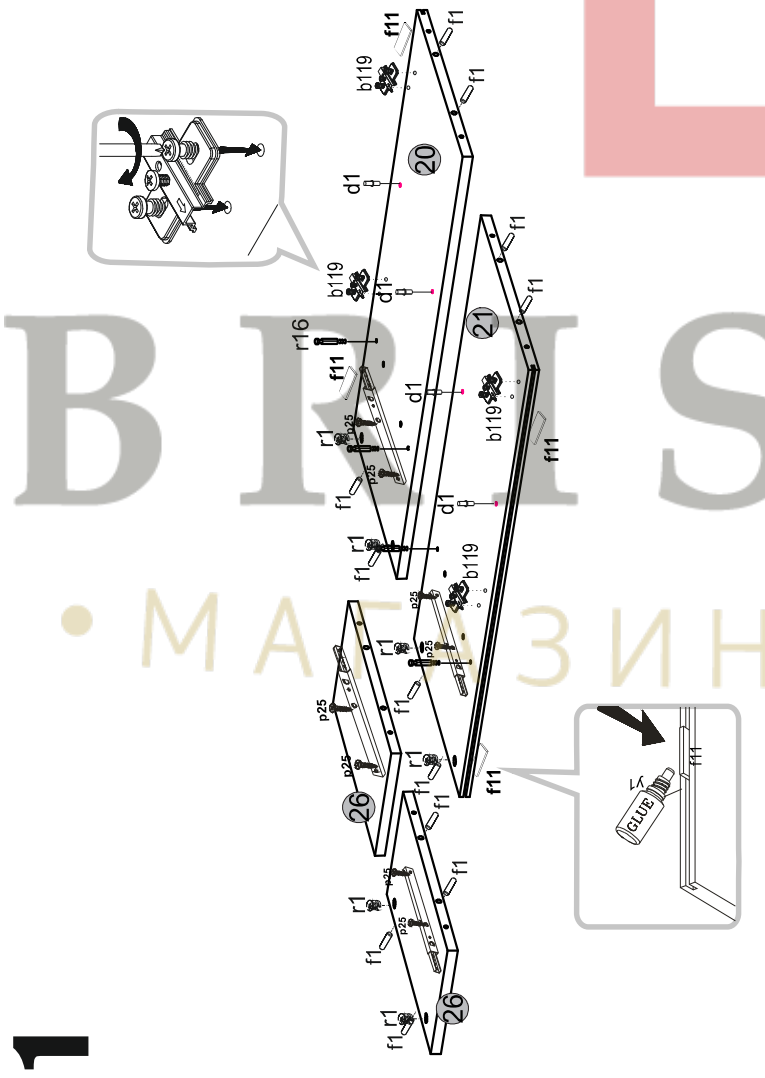


Element symbol	Dimensions	Code	Package
1	884 404	KOM_3D2S.006	1/1
2	884 404	KOM_3D2S.007	1/1
3	585 396	KOM_3D2S.010	3/3
4	585 396	KOM_3D2S.011	3/3
5	1360 80	KOM_3D2S.016	2/2
6	64 1326	KOM_3D2S.019	2/2
7	804 80	KOM_3D2S.022	2/2
8	535 130	KOM_3D2S.036	2/2
9	350 130	KOM_3D2S.037	2/2
10	350 130	KOM_3D2S.038	2/2
11	1434 458	KOM_3D2S.003	2/2
12	596 180	KOM_3D2S.034	3/3
13	596 180	KOM_3D2S.035	3/3
14	223 1344	KOM_3D2S.DVP1	2/2
15	605 471	KOM_3D2S.DVP2	2/2
16	605 400	KOM_3D2S.DVP3	3/3
17	553 352	KOM_3D2S.033	3/3
18	1326 401	KOM_3D2S.004	2/2
19	1202 401	KOM_3D2S.005	2/2
20	804 401	KOM_3D2S.008	1/1
21	804 401	KOM_3D2S.009	1/1
22	582 401	KOM_3D2S.012	2/2
23	582 401	KOM_3D2S.013	2/2
24	393 400	KOM_3D2S.014	2/2
25	384 400	KOM_3D2S.015	2/2
26	401 16	KOM_3D2S.020	2/2

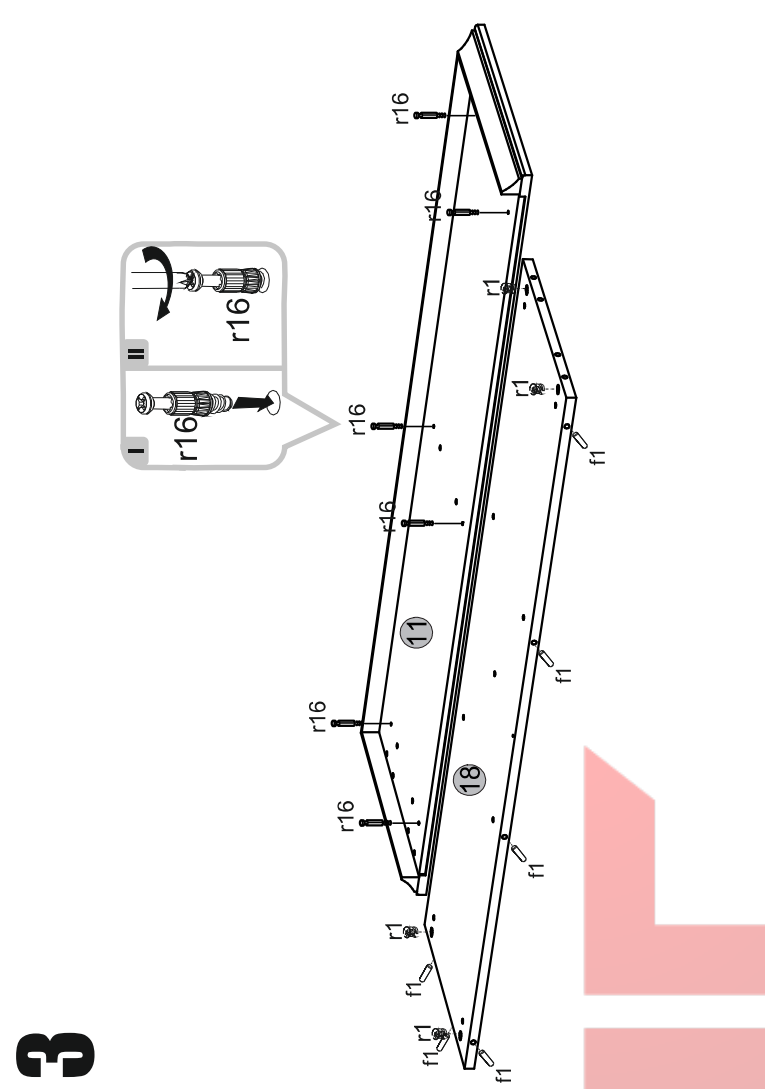
3x		n221.01
1x		y1
1x		z1
1x		t28
1x		p12
44x		p25
40x		f1
22x		e1
3x		2419/128
1x		128
2x		L-350
12x		d1
22x		s2
2x		2419/256
12x		p52
60x		i1
22x		s1
10x		j8
1x		n14
6x		k1
8x		f11
4x		a143
2x		a145
6x		b119
22x		r1
22x		r16



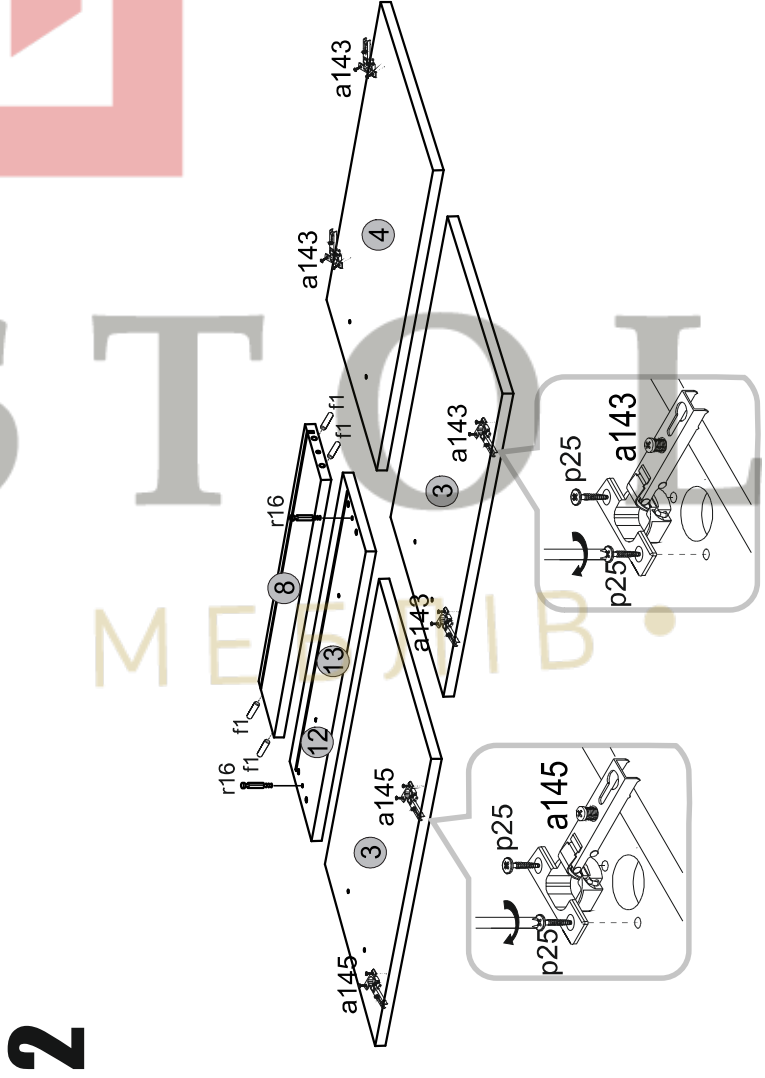
1



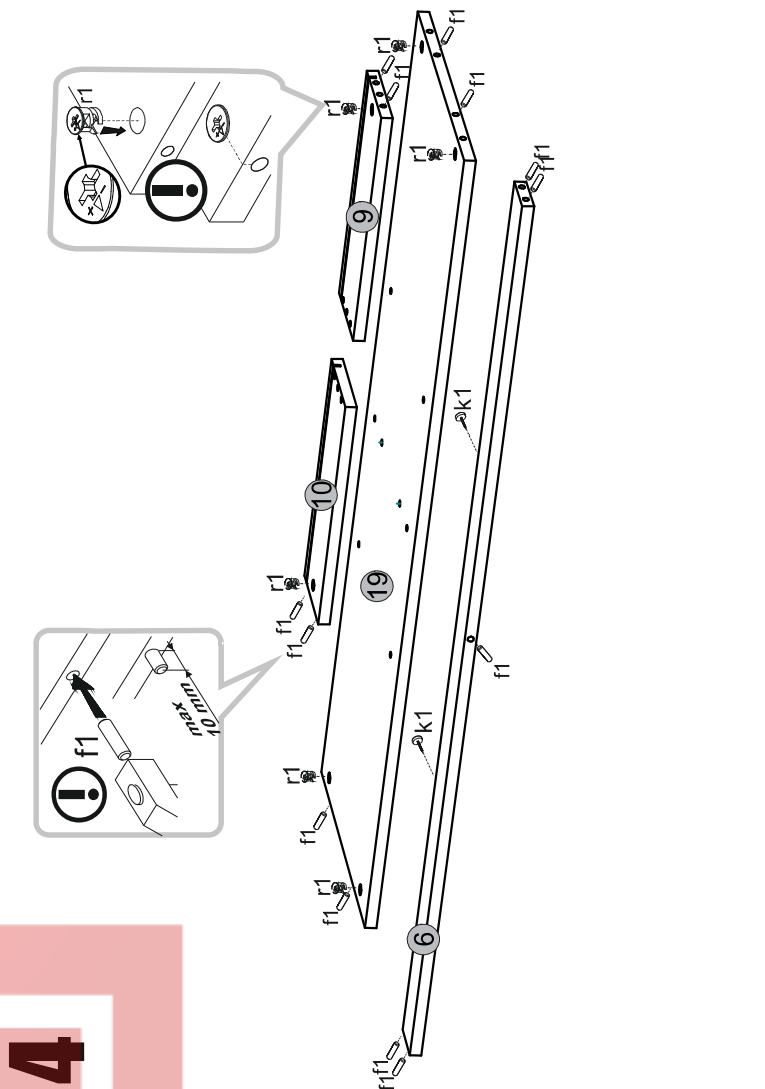
3



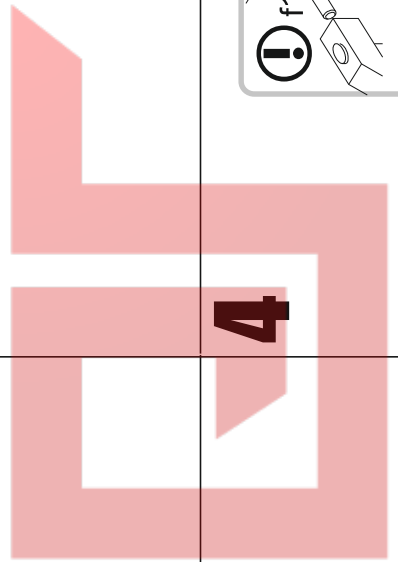
2



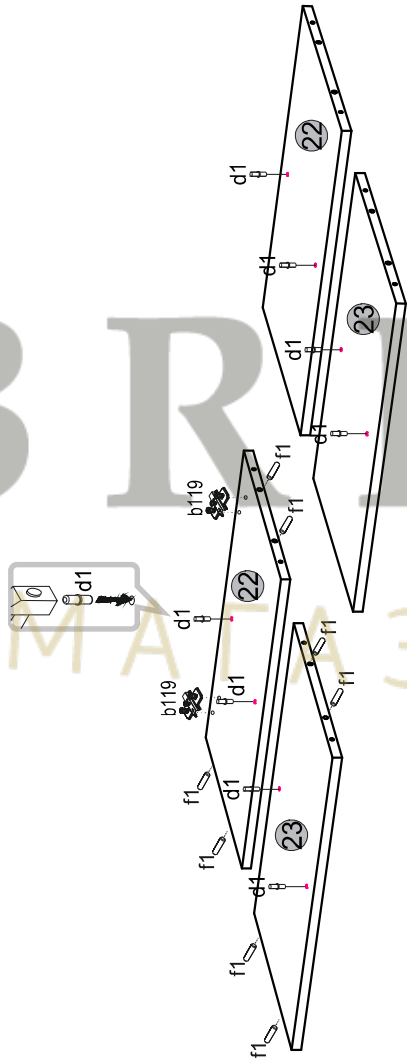
4



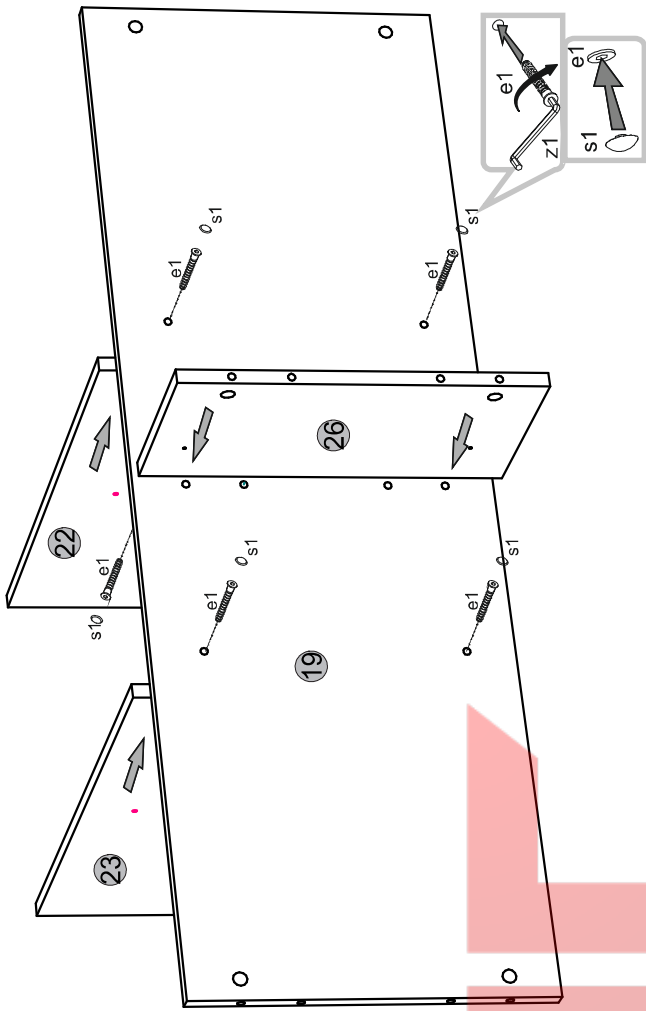
BRISTOL  
• МАТРИЦЫ И МЕТАЛЛЫ •



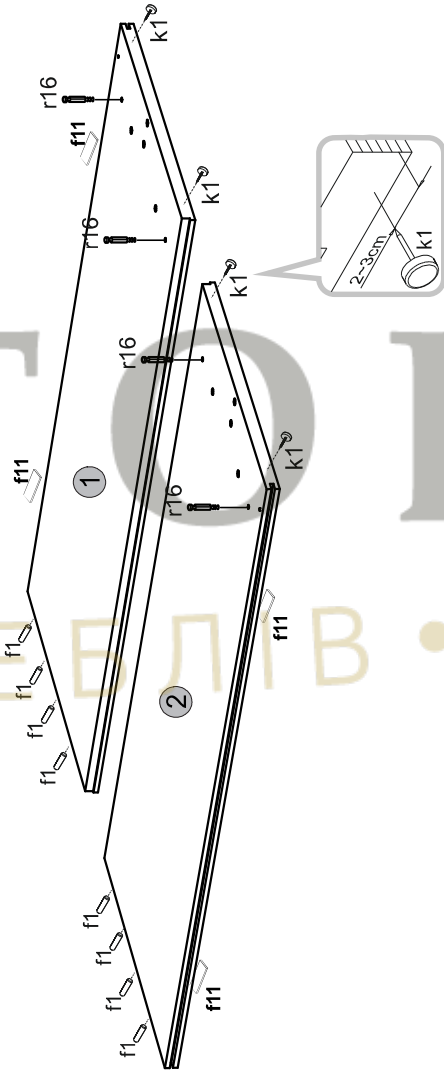
5



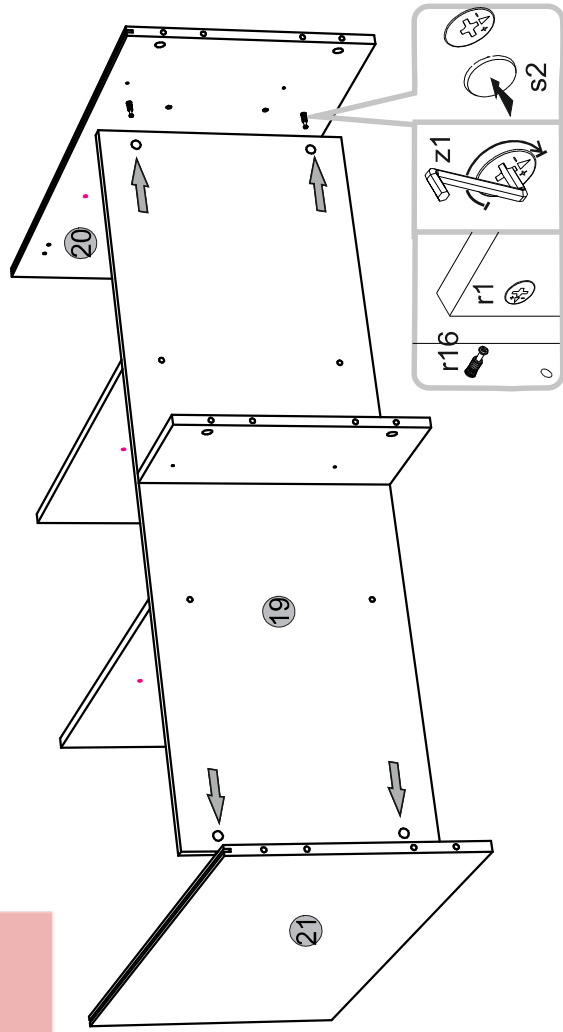
7



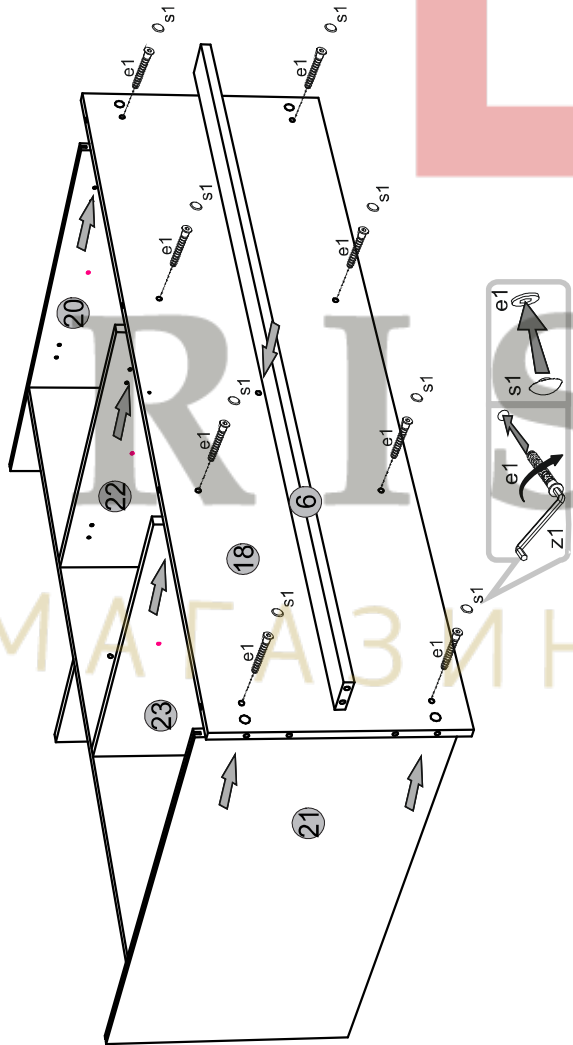
6



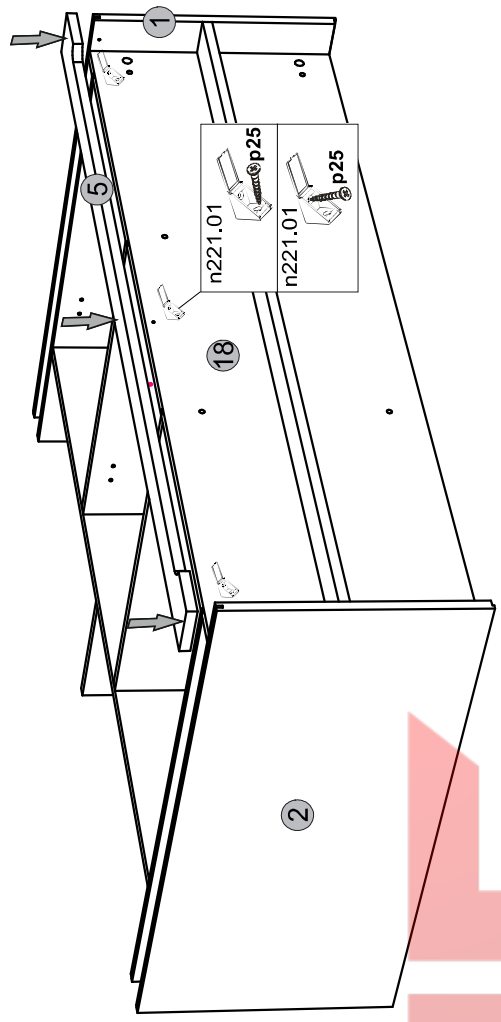
8



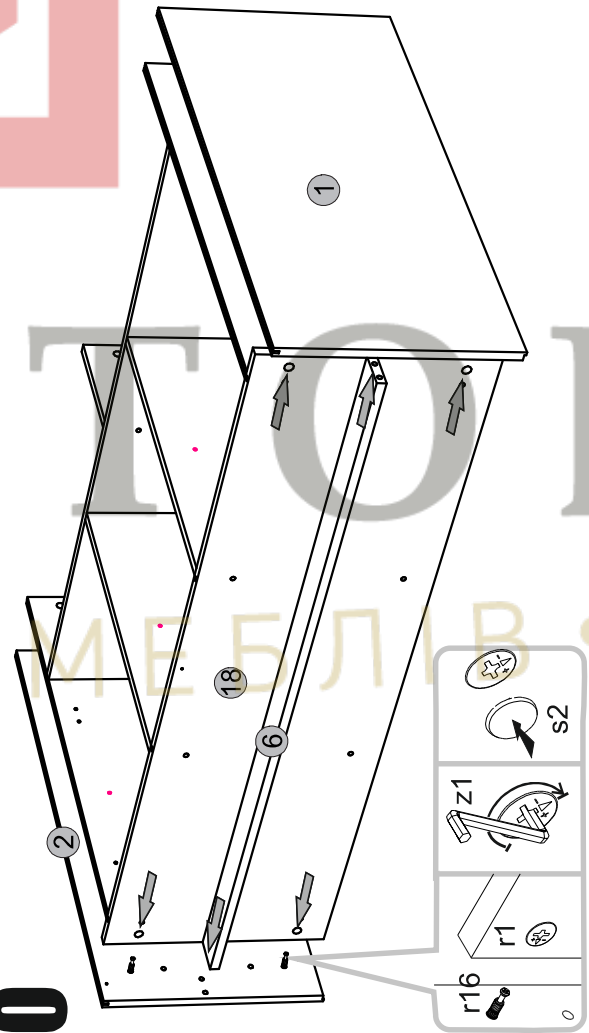
9



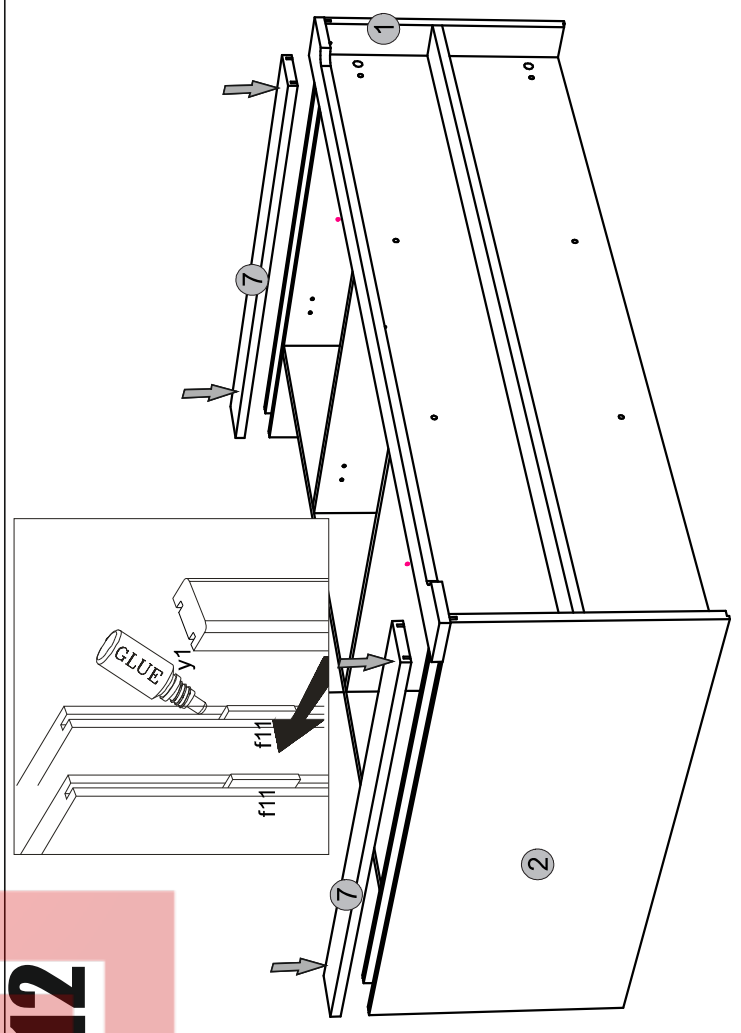
11



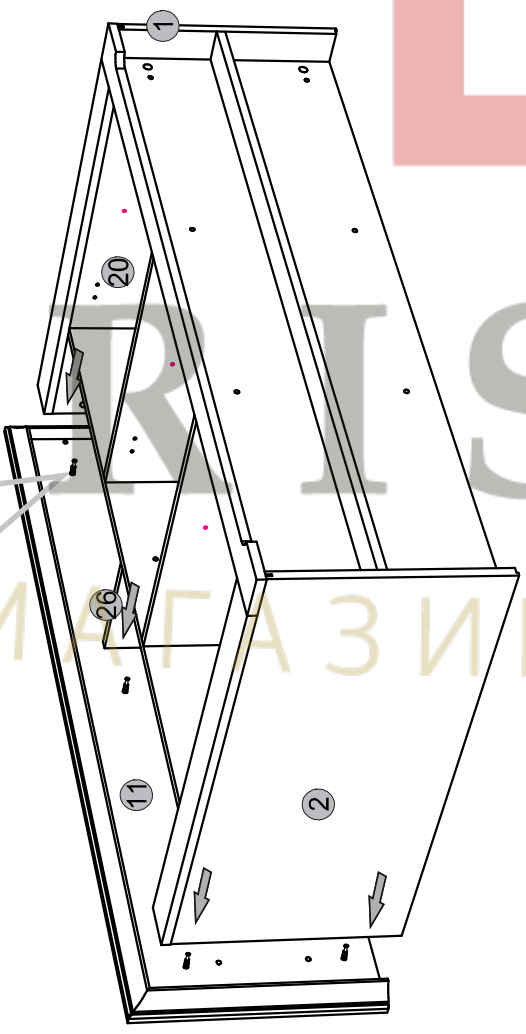
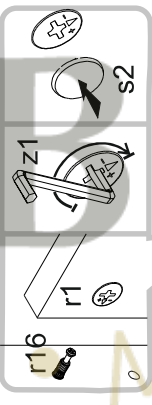
10



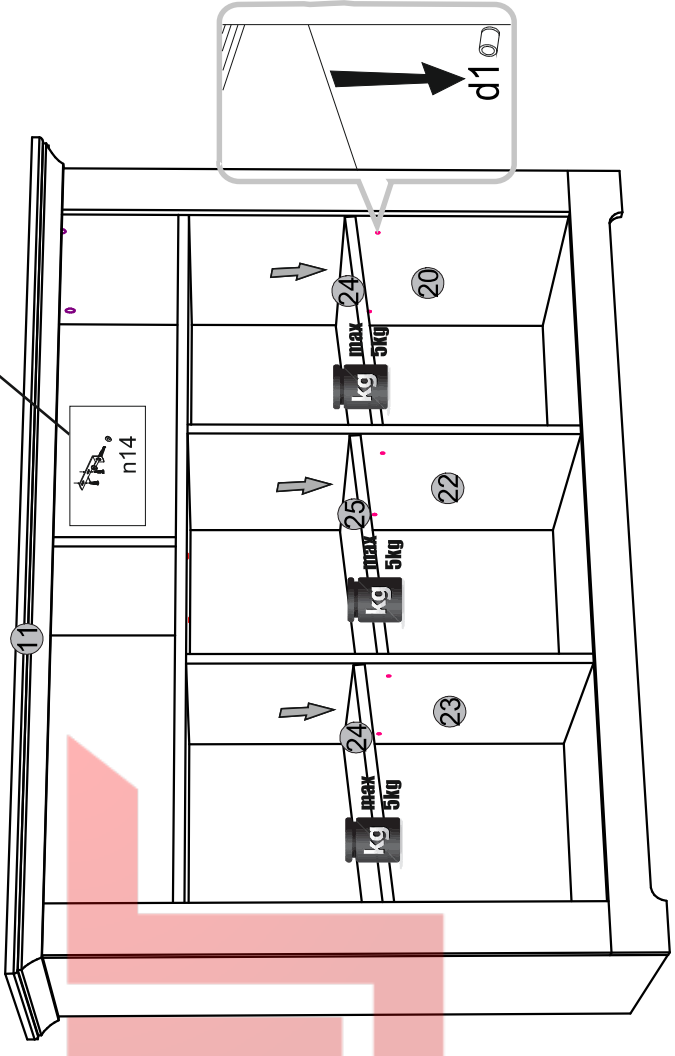
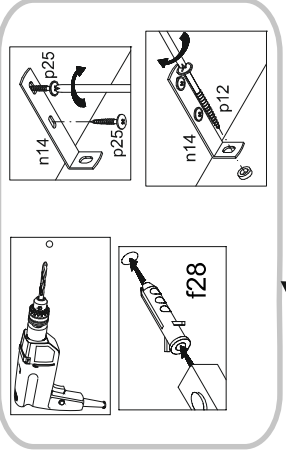
12



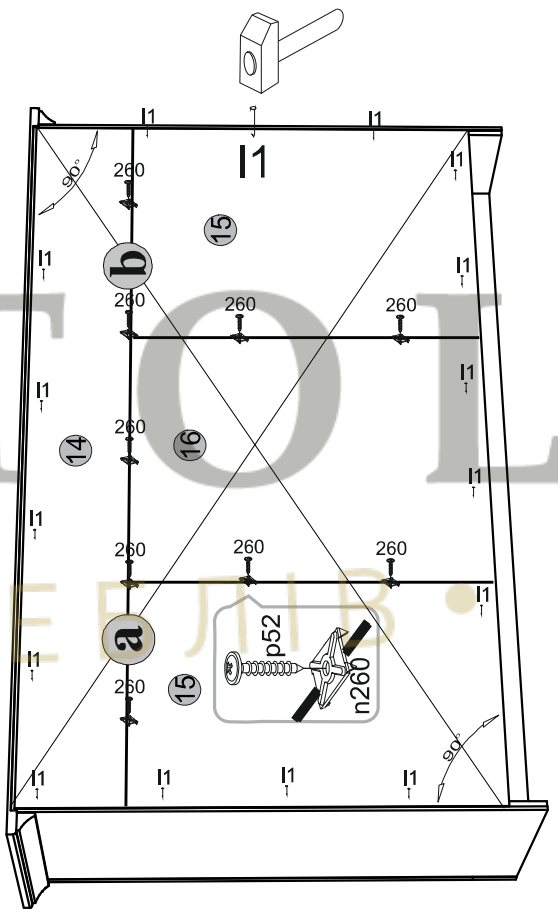
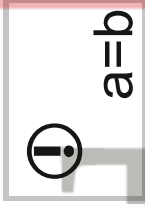
13



15



14



16

17

BRISFOL  
• МАГАЗИН МЕБЕЛ •

