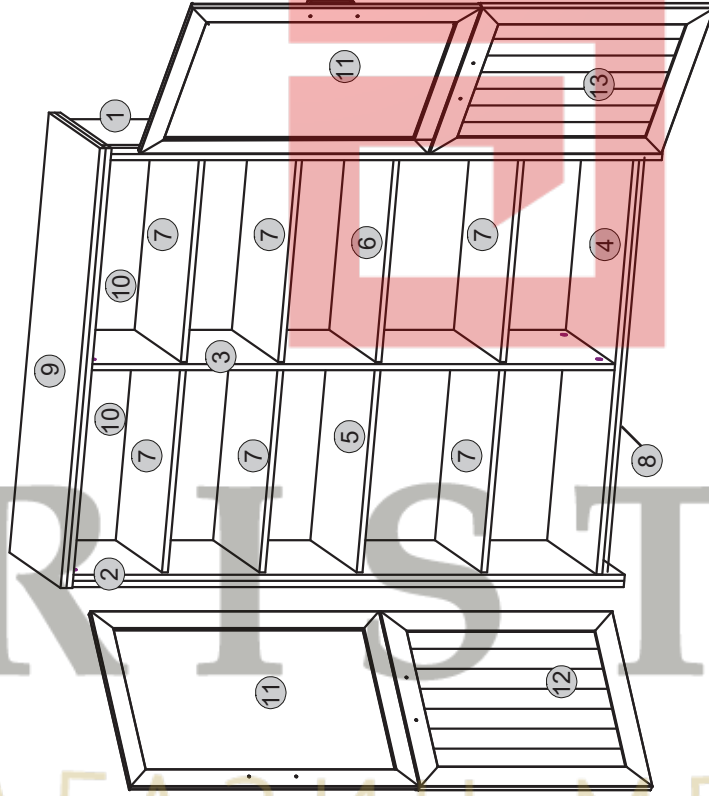
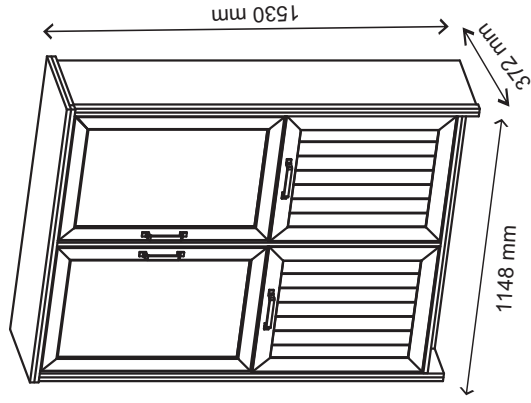
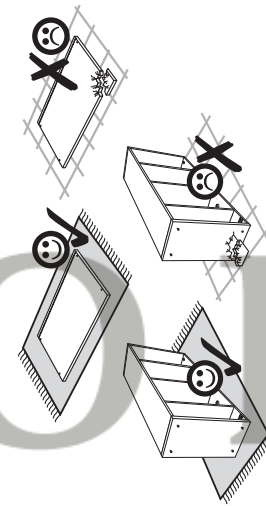
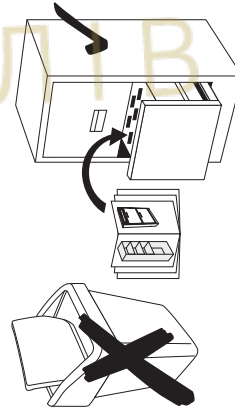
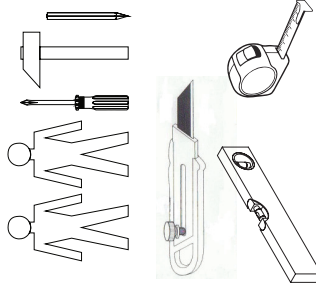
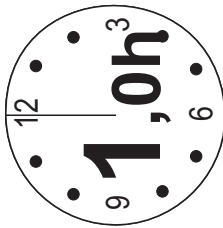
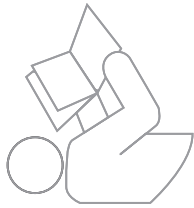


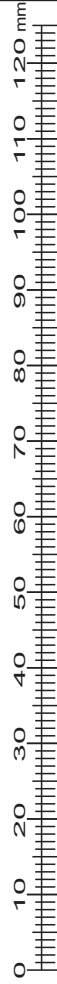
Instalation manual

WITRYNA NISKA VERNE 4

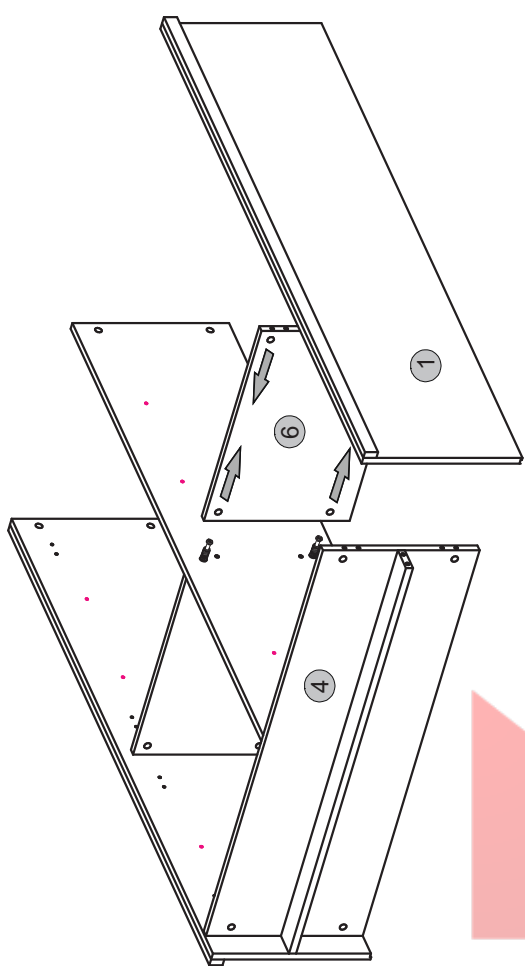


Element symbol	Dimensions	Code	Package
1	1498 365	1 WIT 2W2D_jalzyi.001	1/4
2	1498 365	1 WIT 2W2D_jalzyi.002	1/4
3	1422 359	1 WIT 2W2D_jalzyi.003	2/4
4	1082 359	1 WIT 2W2D_jalzyi.004	1/4
5	533 337	1 WIT 2W2D_jalzyi.005	2/4
6	533 337	1 WIT 2W2D_jalzyi.006	2/4
7	533 337	6 WIT 2W2D_jalzyi.007	2/4
8	1082 60	1 WIT 2W2D_jalzyi.008	2/4
9	1148 372	1 WIT 2W2D_jalzyi.009	2/4
10	1463 550	2 WIT 2W2D_jalzyi.010	1/4
11	677 421	2 WIT 2W2D_jalzyi.011	4/4
12	630 527	1 WIT 2W2D_jalzyi.012	3/4
13	630 527	1 WIT 2W2D_jalzyi.013	3/4

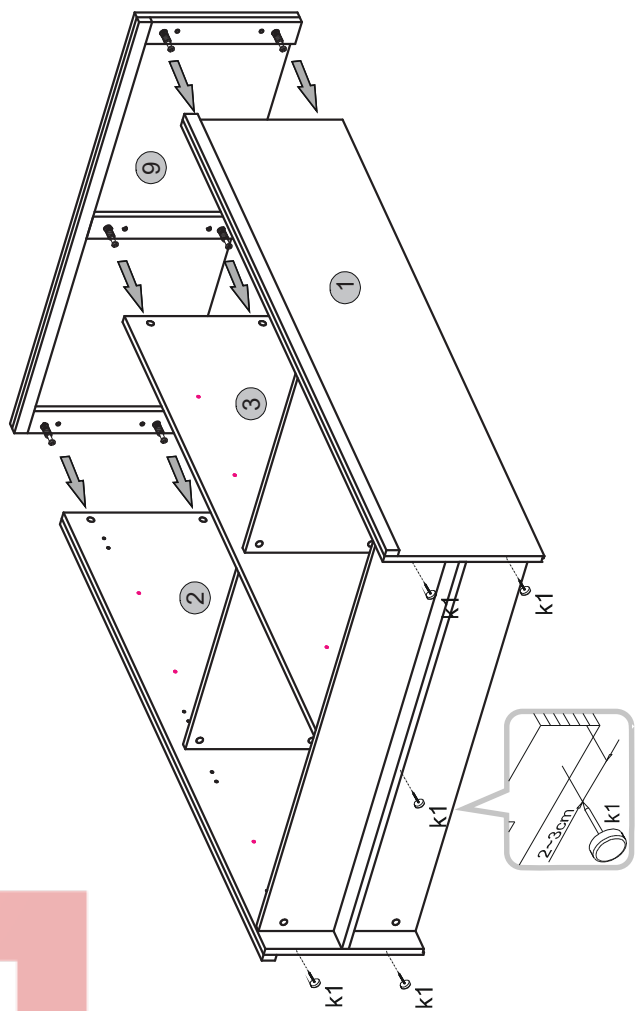
5x		1x		1x		1x		22x		22x	
4x		4x		4x		24x		22x		8x	
	$\phi 3 \times 16$ mm		n260,01.007				$\phi 5 \times 17$ mm		$\phi 3.5 \times 16$ mm #16	8x	
1x		22x		16x		8x		50x			
	$\phi 3 \times 16$ mm		$\phi 8 \times 30$ mm		$\phi 3.5 \times 16$ mm		M4x25 mm				



7



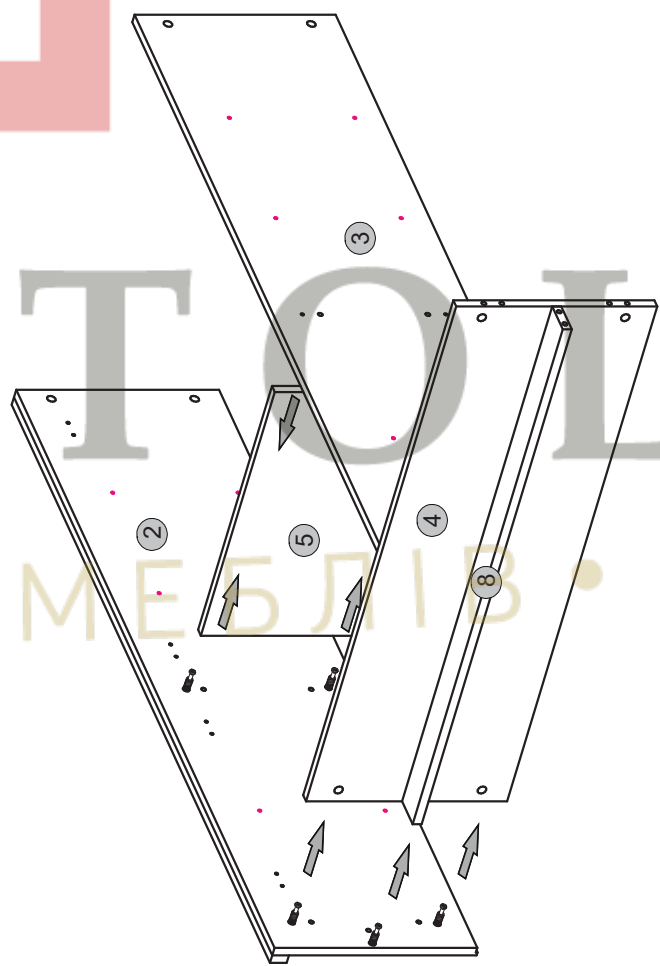
8



5



6



! a=b

