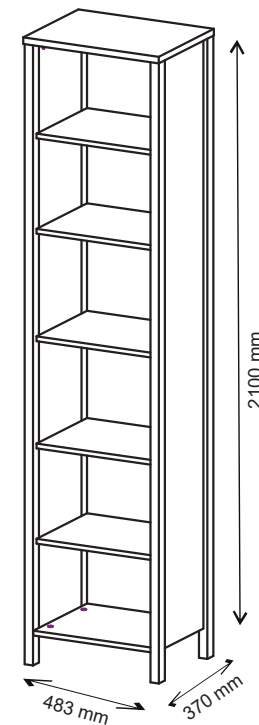
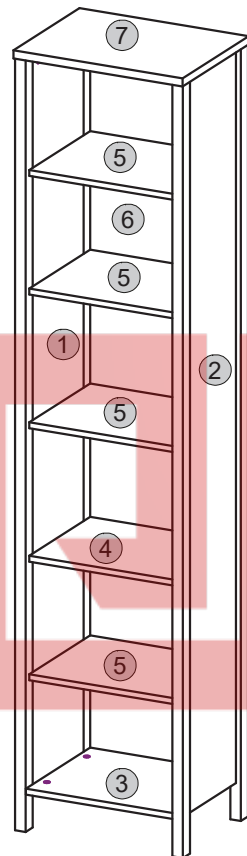
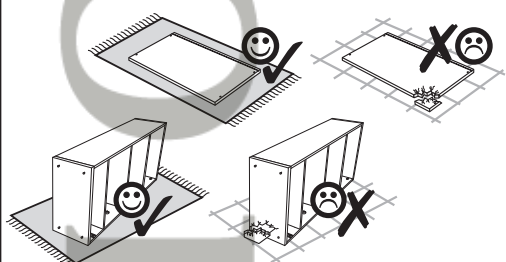
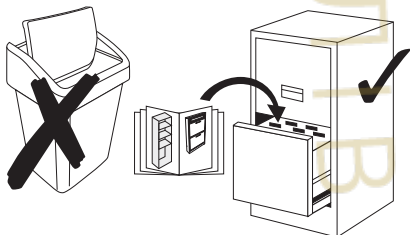
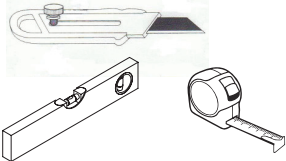
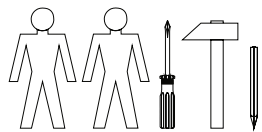
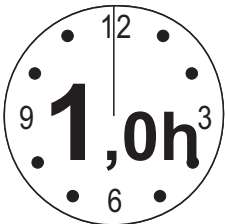




Instalation manual

Marokko REG_WYS_48

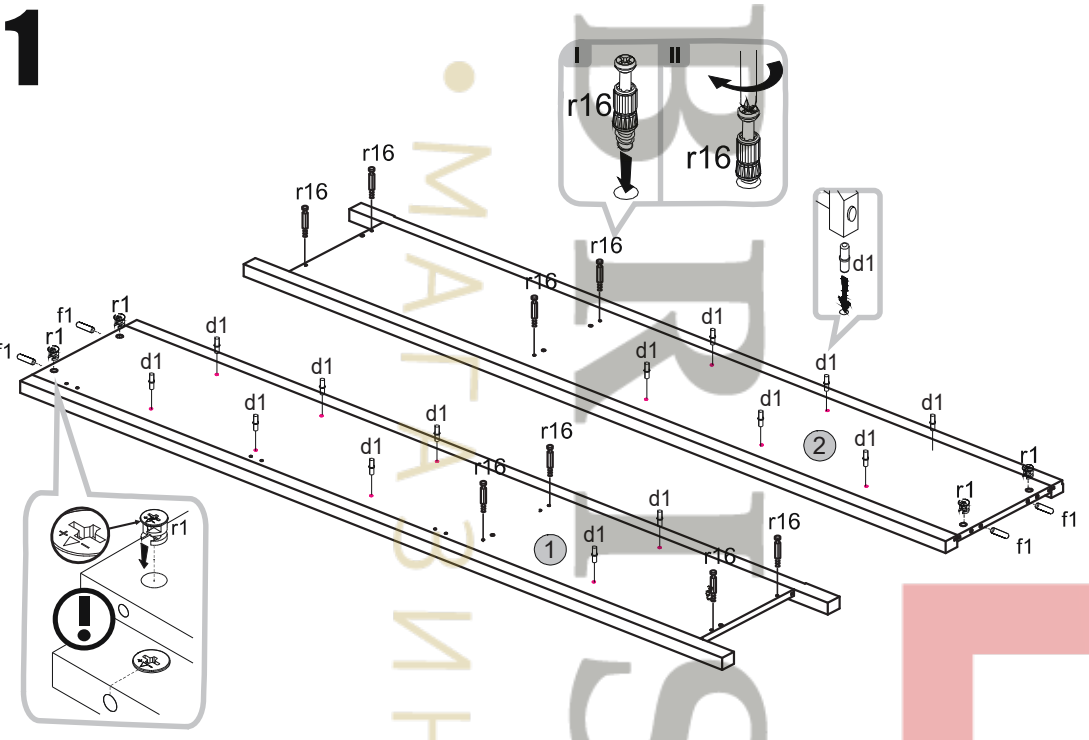


Element symbol	Dimensions				Code	Package
1	2078	365	16/30	1	REG_WYS_48.001	1/2
2	2078	365	16/30	1	REG_WYS_48.002	1/2
3	419	360	16	1	REG_WYS_48.003	2/2
4	419	338	16	1	REG_WYS_48.004	2/2
5	419	338	16	4	REG_WYS_48.005	2/2
6	1988	218	3	2	REG_WYS_48.016	1/2
7	483	370	22	1	REG_WYS_48.015	2/2

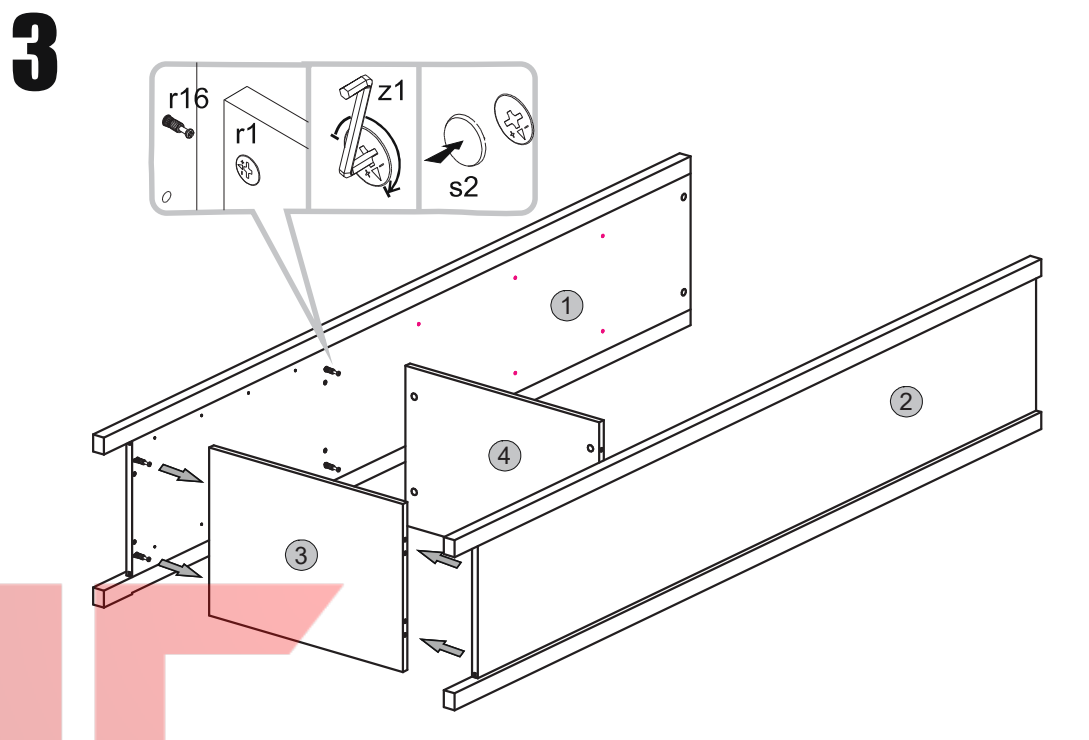
1x φ5x60 mm p17	1x n14	40x l1	1x z1	16x φ5x17 mm d1	12x φ8x30 mm f1
1x φ10 mm f3	4 x k1	12x φ15x12mm #16 r1	12x r16	12x s2	2 x φ3.5x16 mm p25



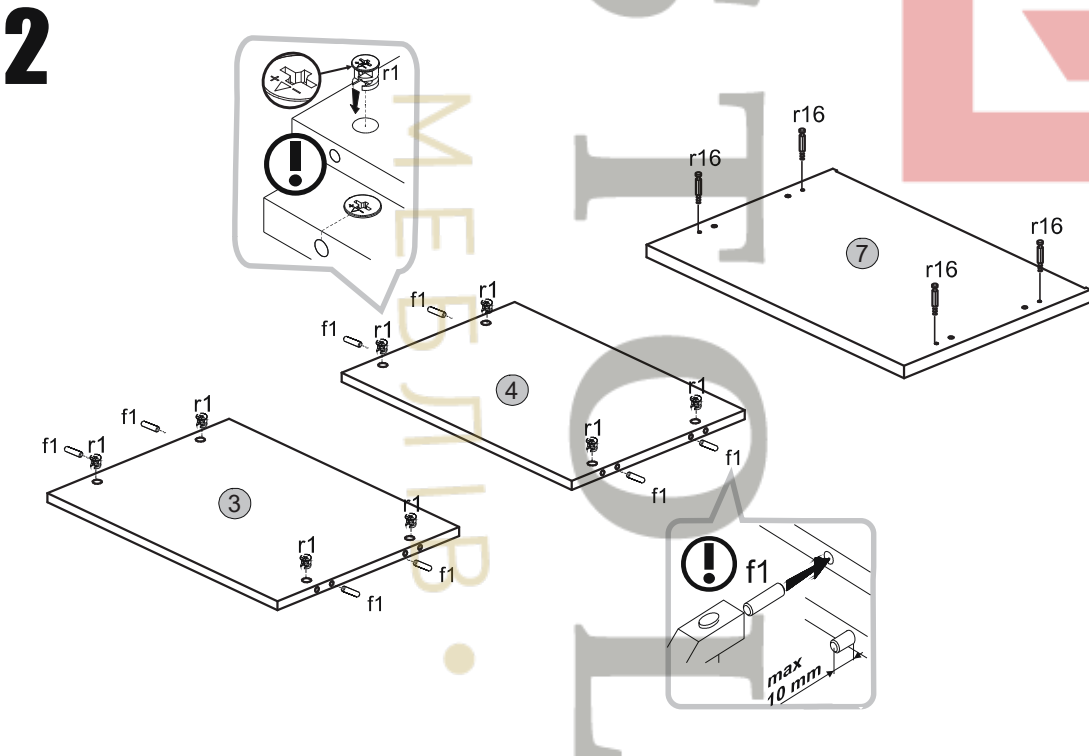
1



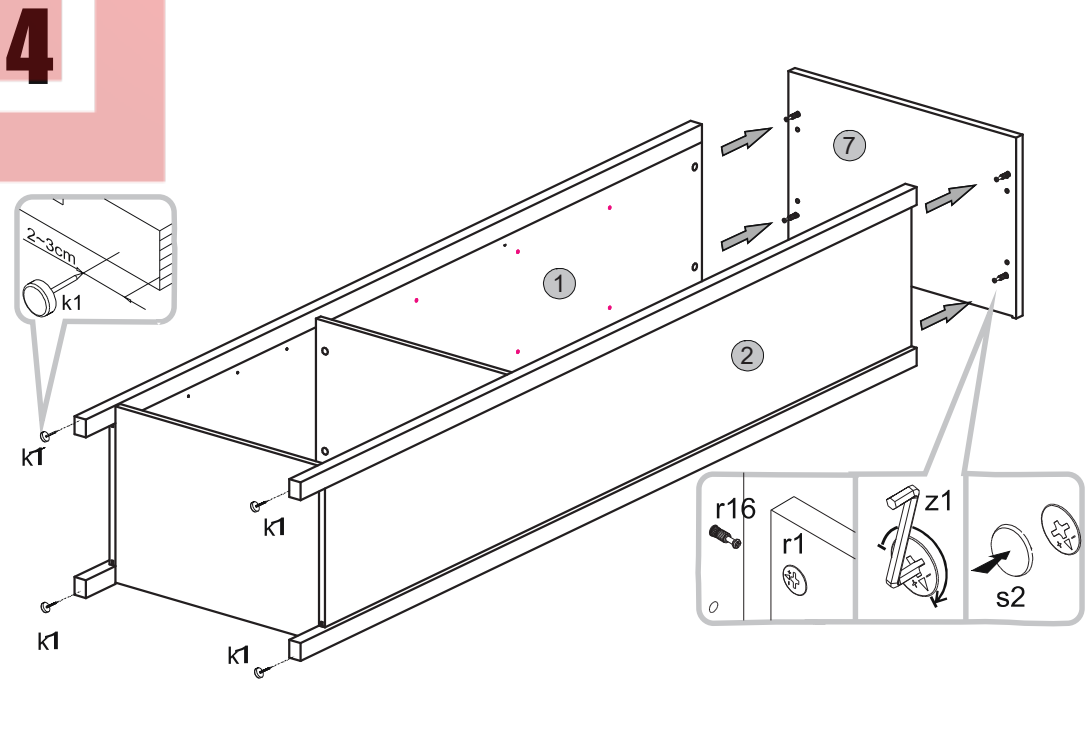
3



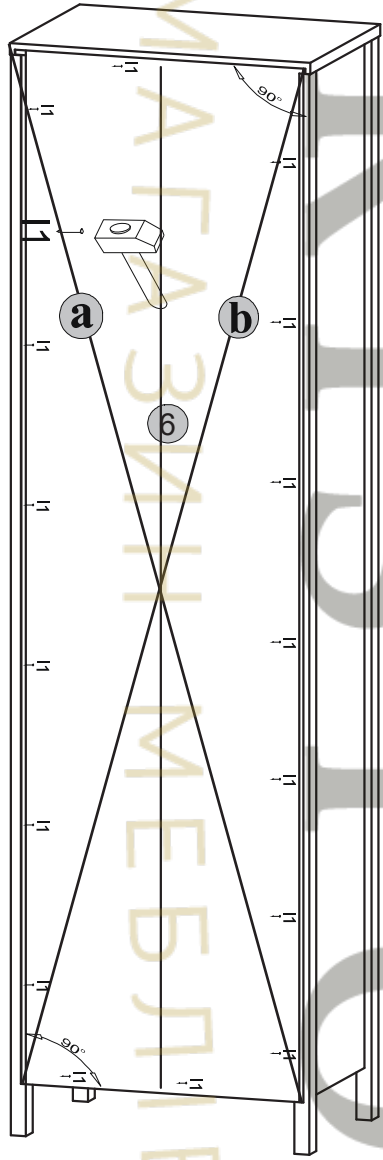
2



4



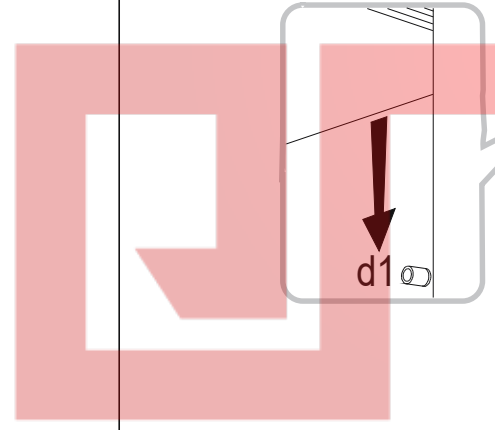
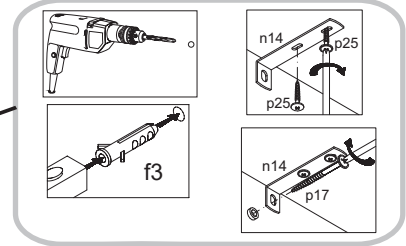
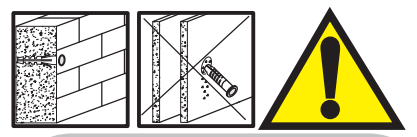
5



⚠
a=b

6

⚠
kg max.
↓ ↓



МАТРА 3М11 МЕБЛ.Б.

BRISTOL