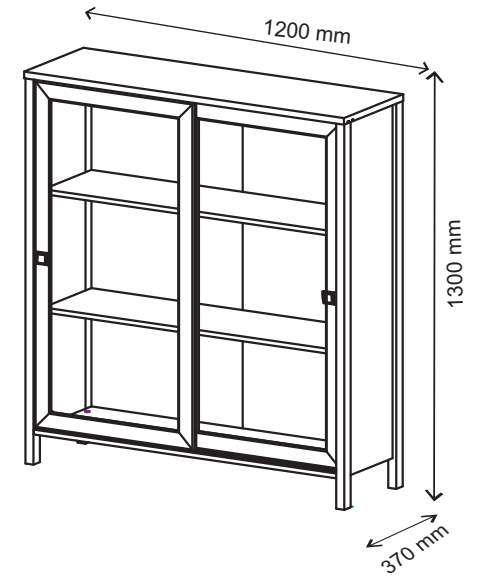
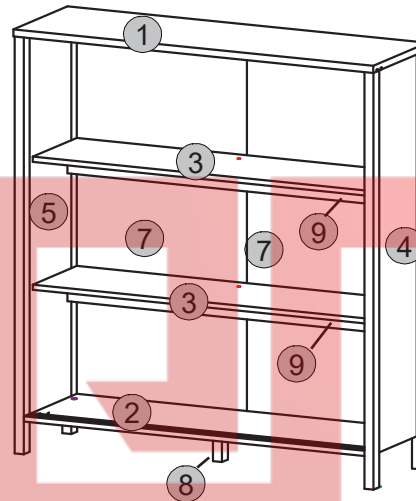
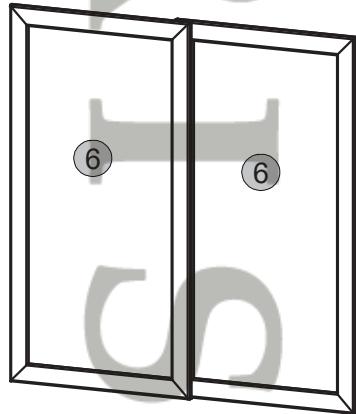
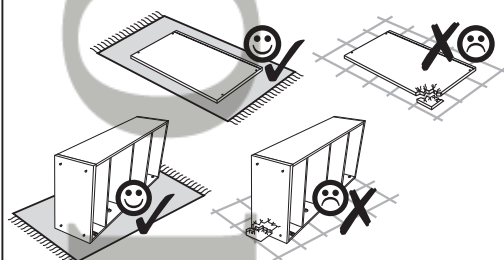
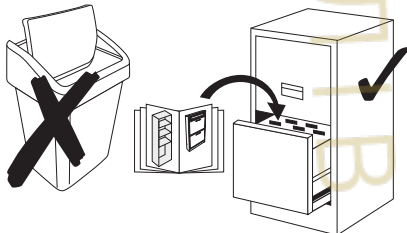
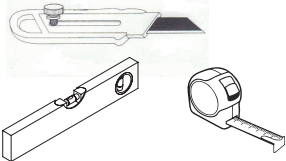
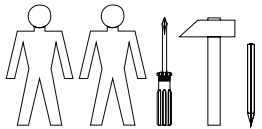
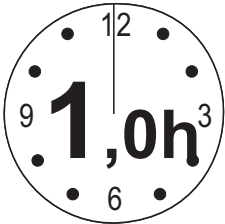


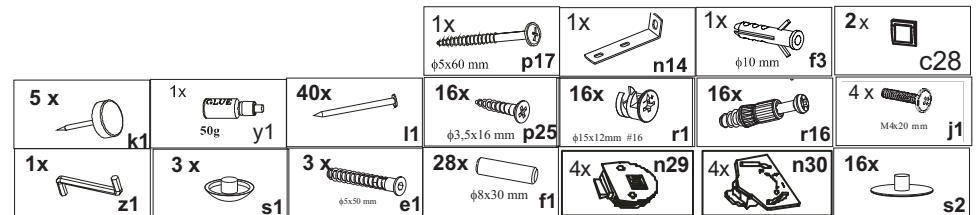


Instalation manual

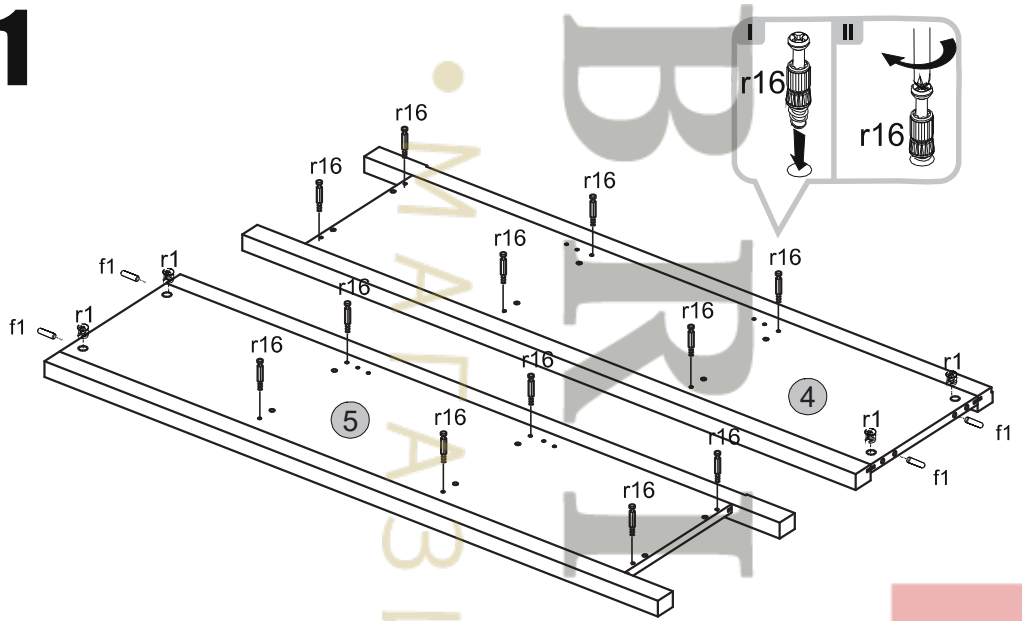
Marokko WIT_2W



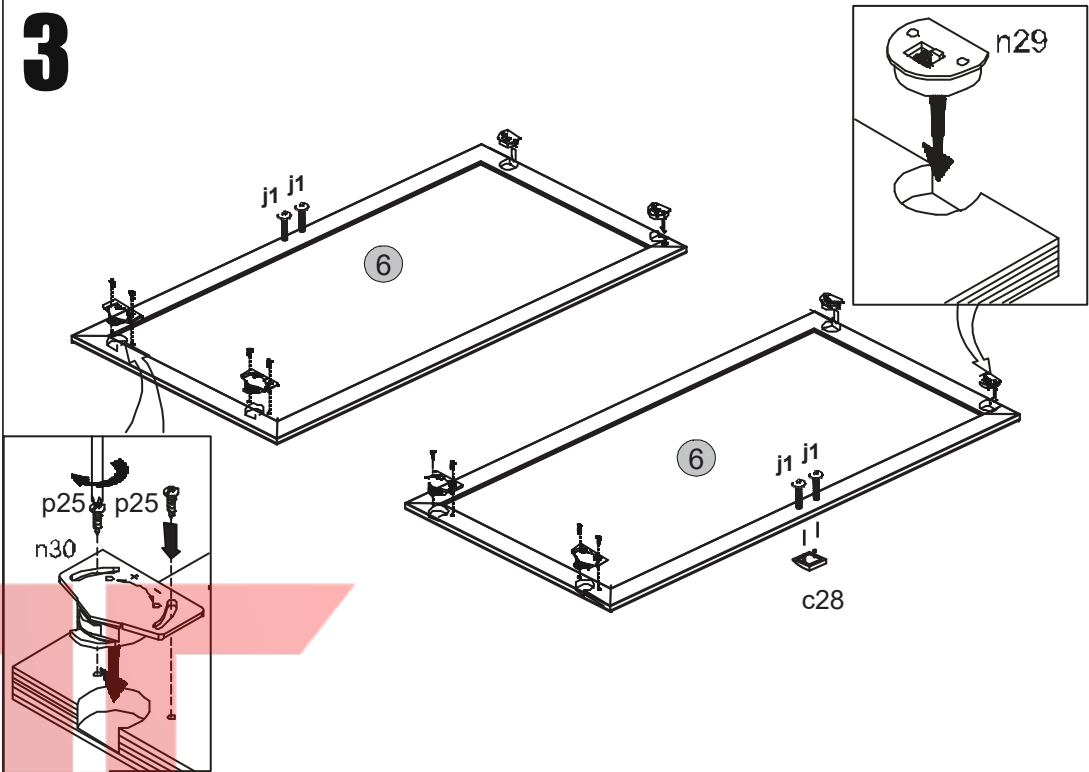
Element symbol	Dimensions				Code	Package
1	1200	370	22	1	WIT_2W.001	2/3
2	1136	360	16	1	WIT_2W.002	2/3
3	1136	300	16	2	WIT_2W.003	2/3
4	1278	365	16/30	1	WIT_2W.004	1/3
5	1278	365	16/30	1	WIT_2W.005	1/3
6	1154	598	16	2	WIT_2W.006	3/3
7	1188	577	3	2	WIT_2W.007	3/3
8	100	40	30	1	WIT_2W.018	1/3
9	80	1136	16	2	WIT_2W.019	2/3



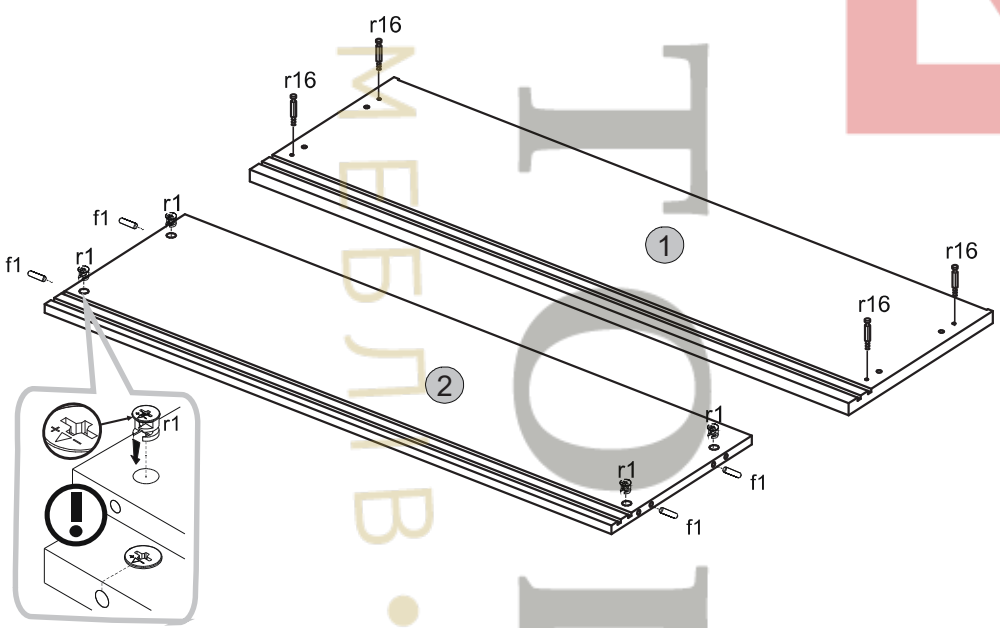
1



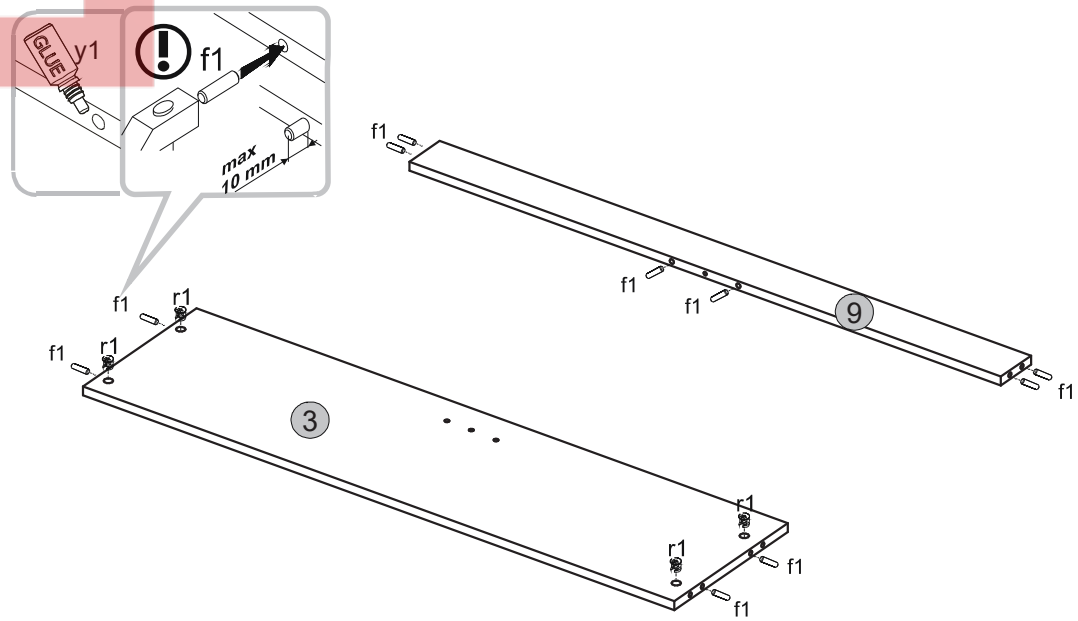
3



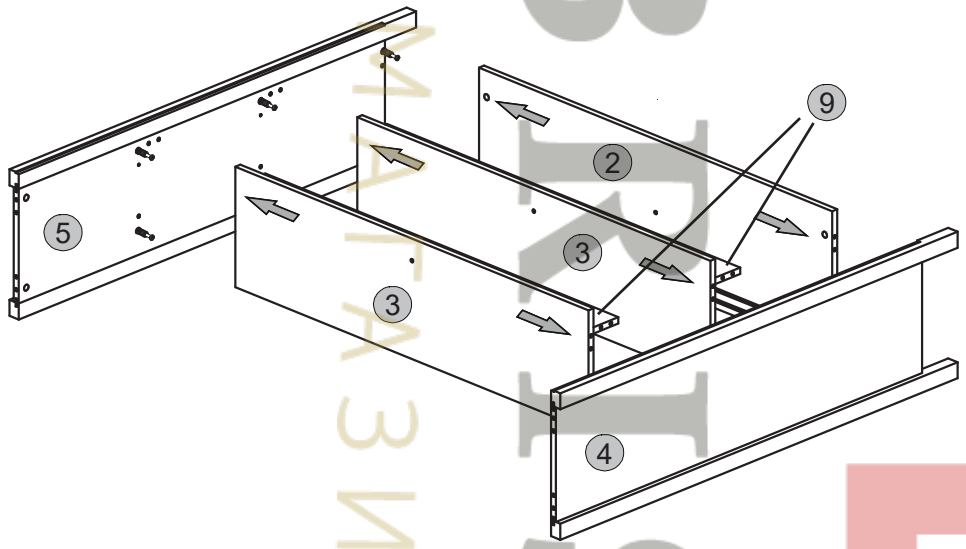
2



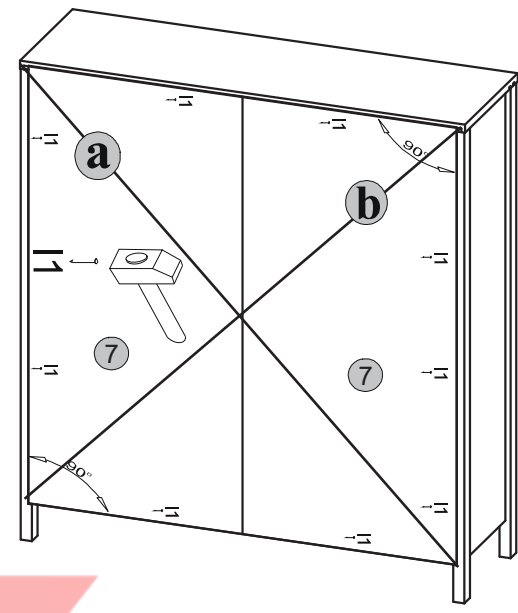
4



5

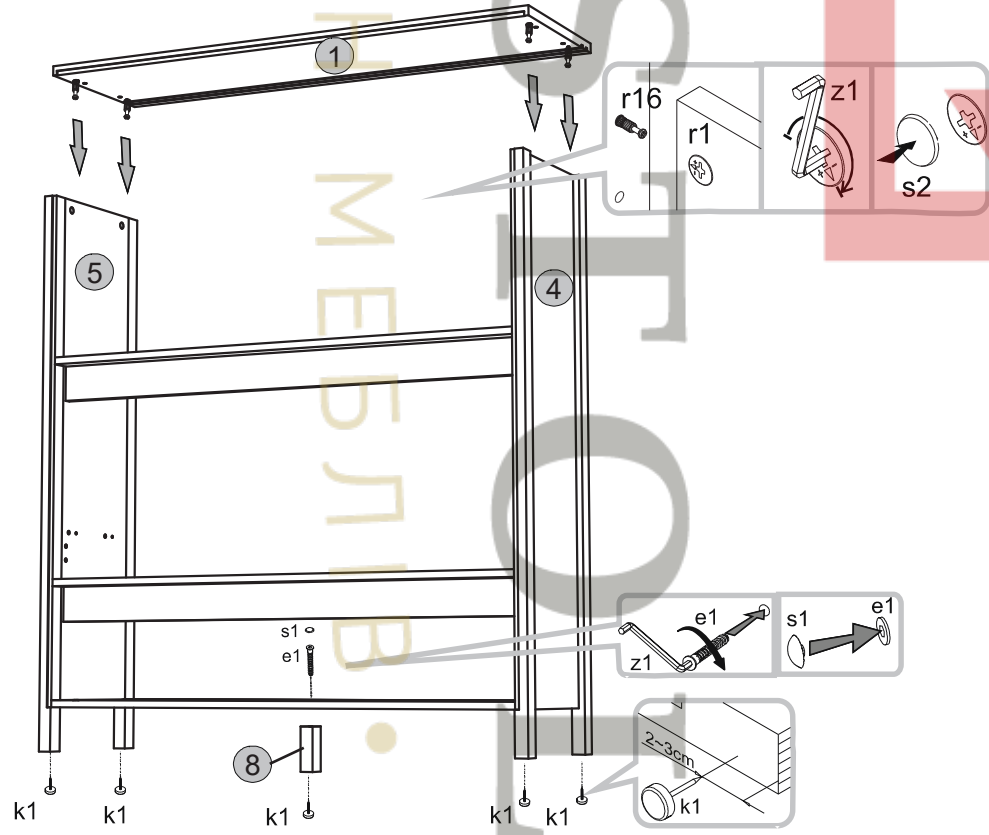


7



! a=b

6



8

